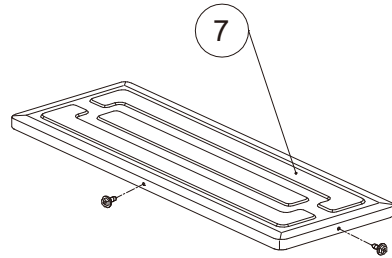
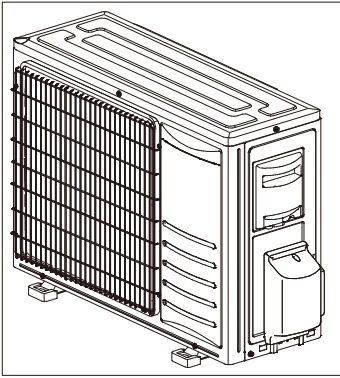
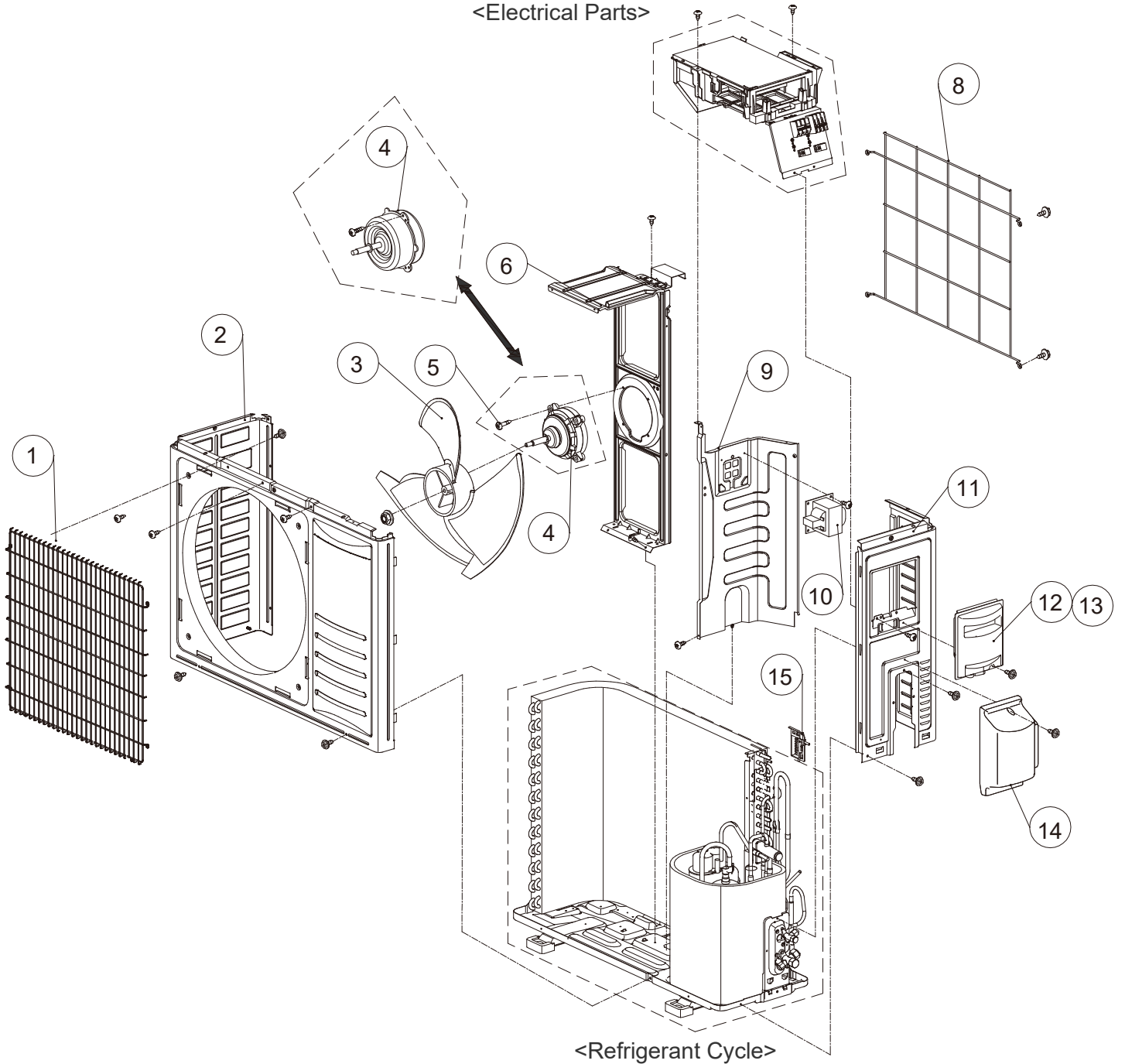


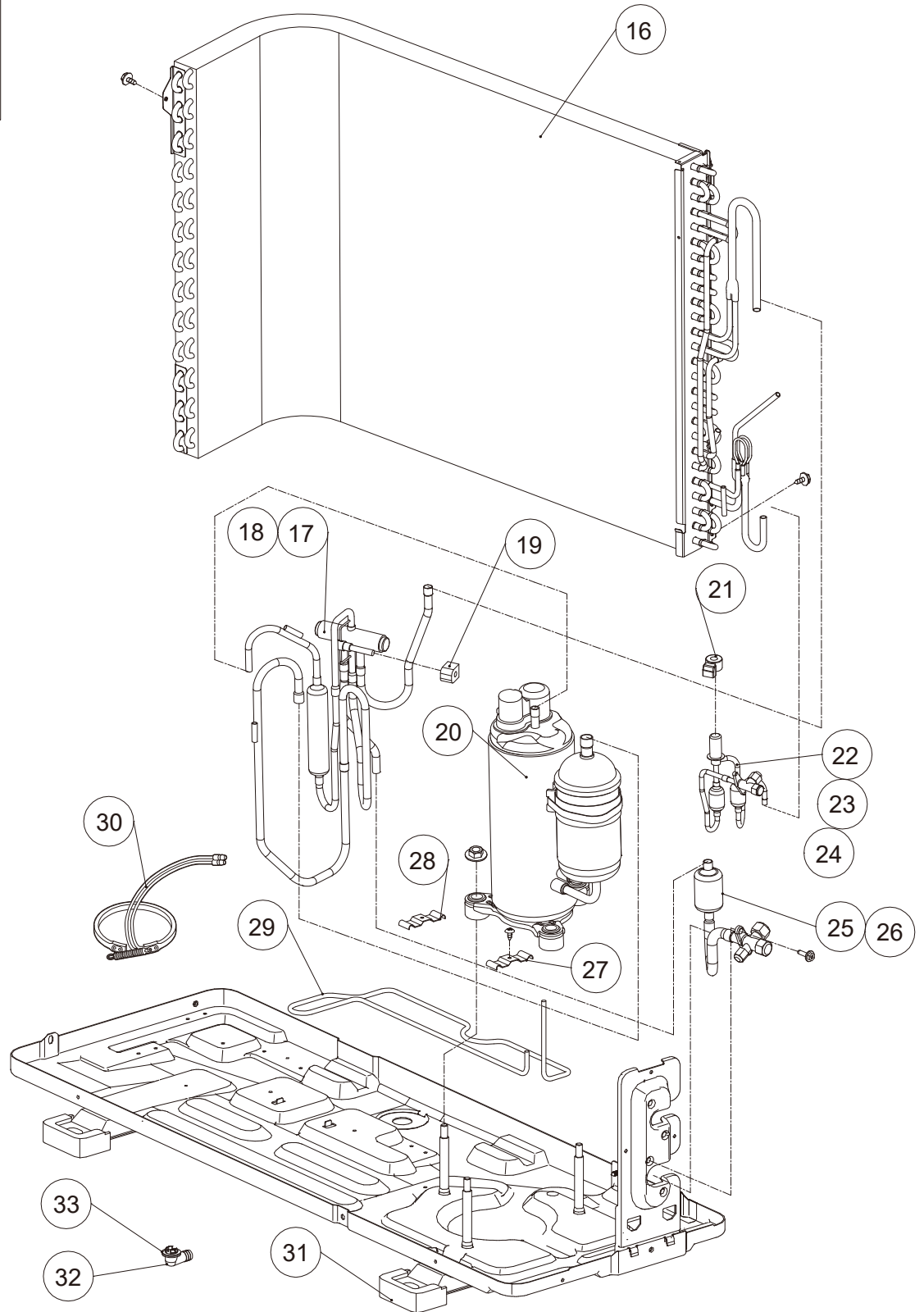
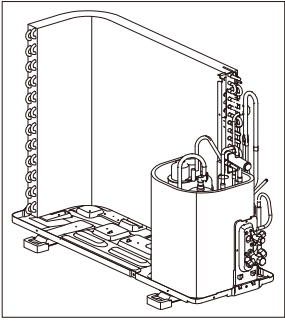
Outdoor unit
WHM24SZA21S



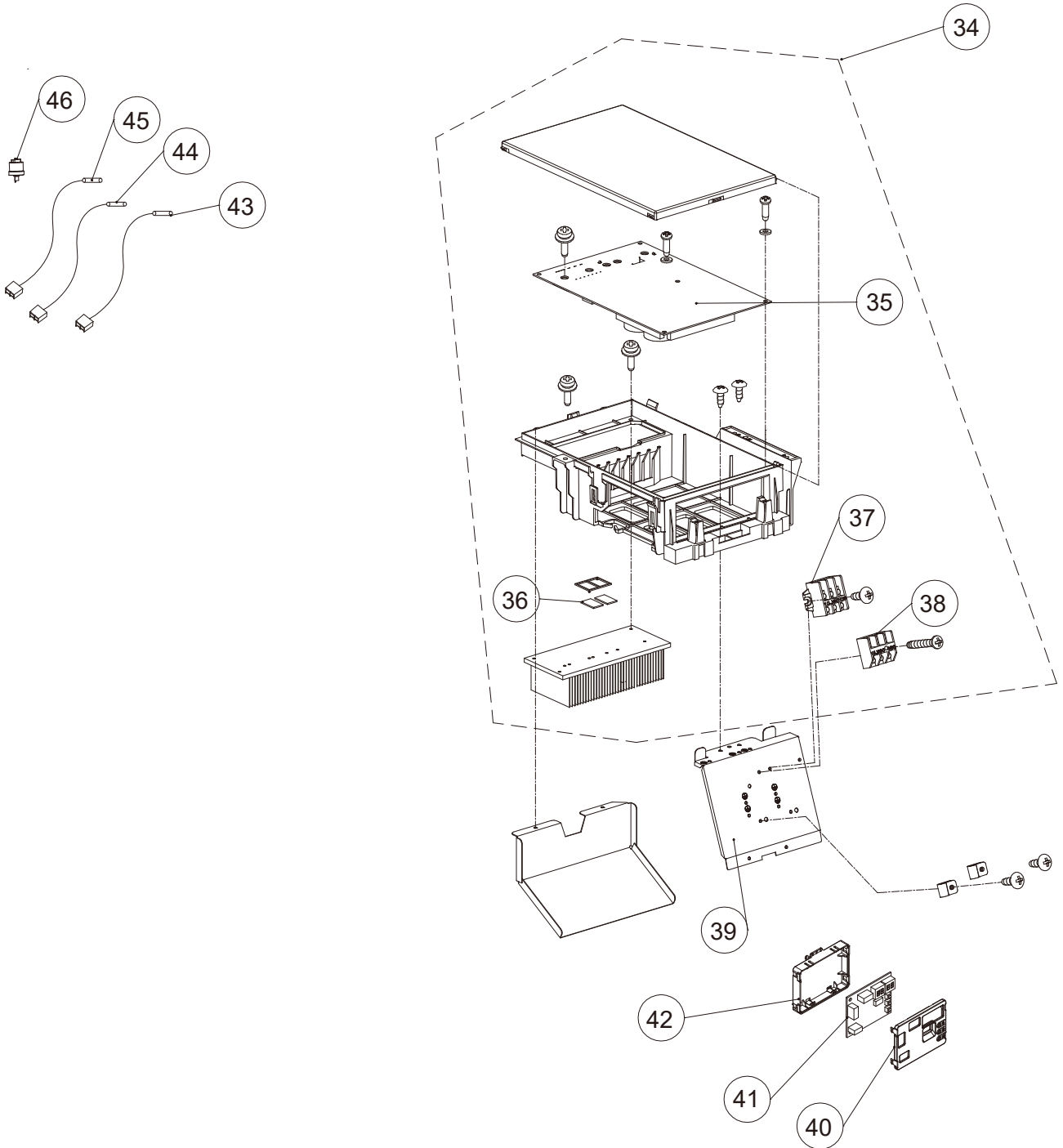
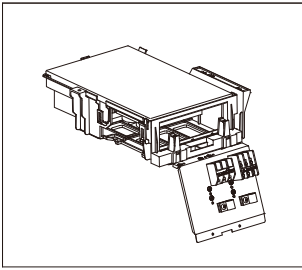
<Electrical Parts>



<Refrigerant Cycle>



<Electrical Parts>



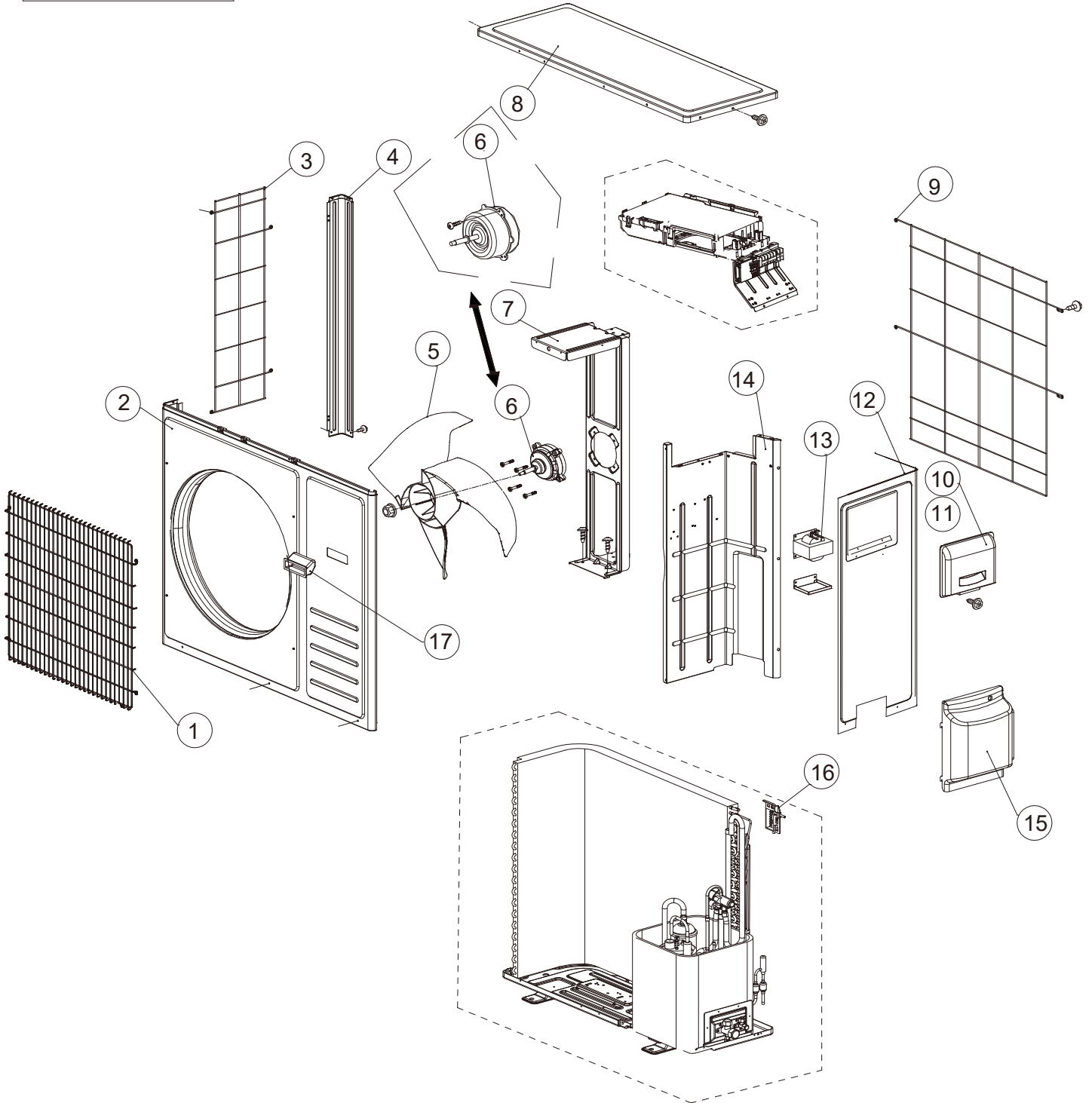
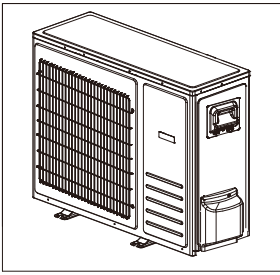
Outdoor unit
WHM24SZA21S

No.	Part number	Description
1	2006879	Fan guard
2	2091948	Intake grille
3	1559520	Propeller fan blade
4	1859837	DC motor
5	2119437	Tapping screw
6	1963835	Motor bracket
7	1972357	Top panel
8	1929744	Protective net back
9	1972622	Clapboard part
10	1302261	Choke coil
11	1971724	Cabinet right
12	1863156	Bracket conduit SA
13	1854040	Bracket conduit
14	1825563	Valve cover
15	1546721	Sensor mount plate
16	1993892	Condenser assembly
17	2157953	Valve 4 way assembly
18	1258444	Valve 4 way
19	1511783	Solenoid
20	1993782	Compressor
21	1848625	EEV coil
22	2090524	EEV assembly
23	1463769	EEV
24	1466345	Valve 3 way 3/8
25	2091366	Valve assembly
26	1999913	Valve 3 way 5/8
27	1854042	Fixing clip
28	1807108	Mounting plate
29	1854710	Tube electric heater
30	1928912	Crankcase heater
31	1453803	Rubber cushion
32	1227300	Drainage rostra
33	1227366	Rubber cushion
34	2150394	Control box unit
35	2150395	Inverter control PCB
36	1440764	Insulative spacer
37	2150399	Wire terminal board
38	2150410	Wire terminal board
39	2090869	Connecting board
40	2150185	Electric box cover
41	2150396	Display board
42	2090874	Electric box
43	1822633	Thermistor pipe
44	1837502	Temperature sensor
45	1831029	Thermistor outdoor
46	2004319	Pressure sensor

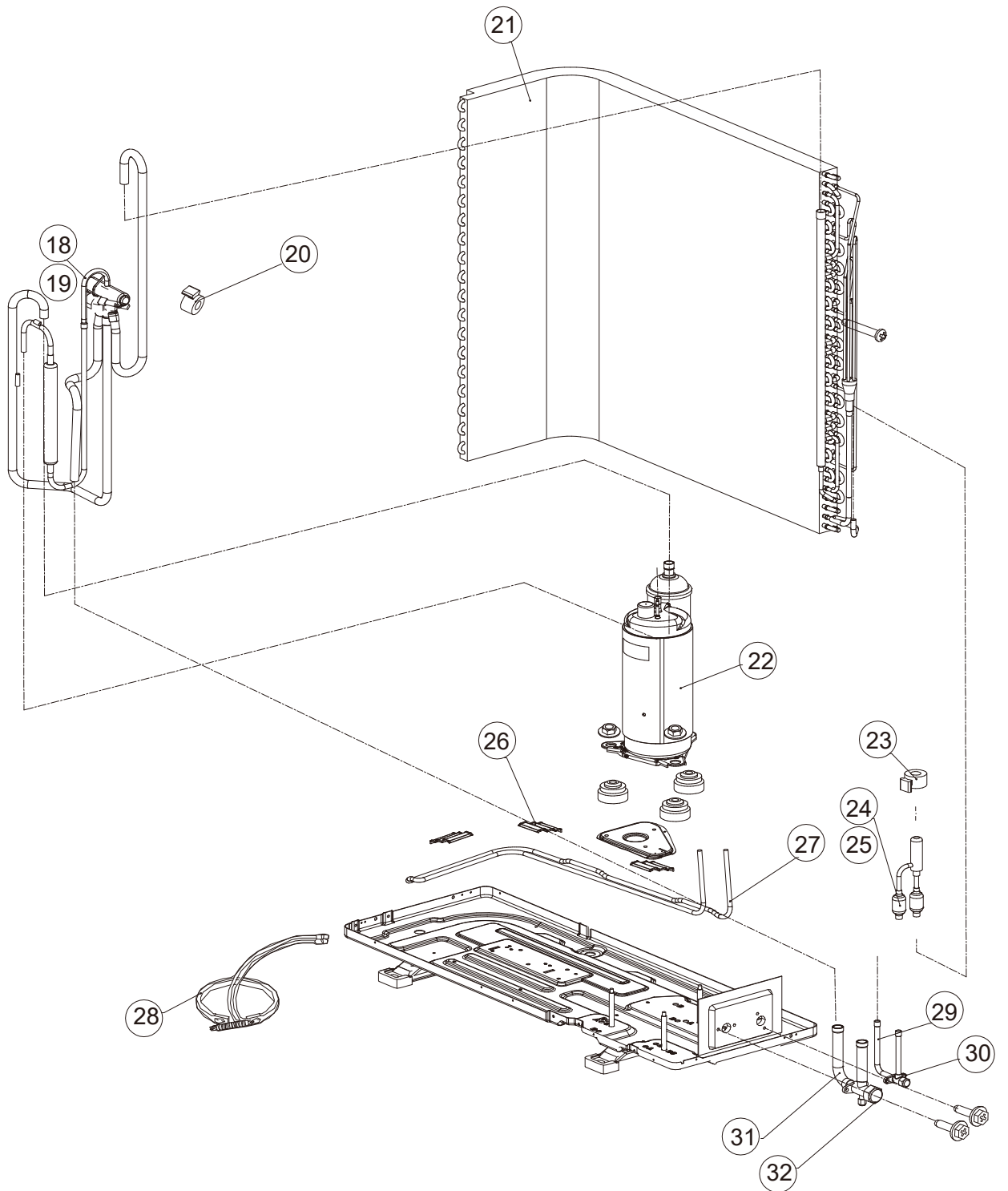
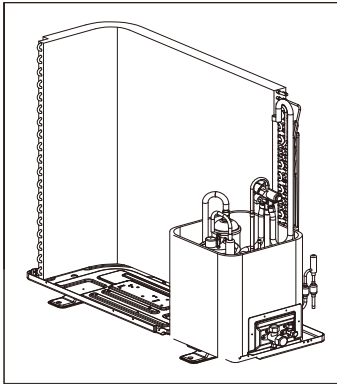
AS: assembly

SA: sub assembly

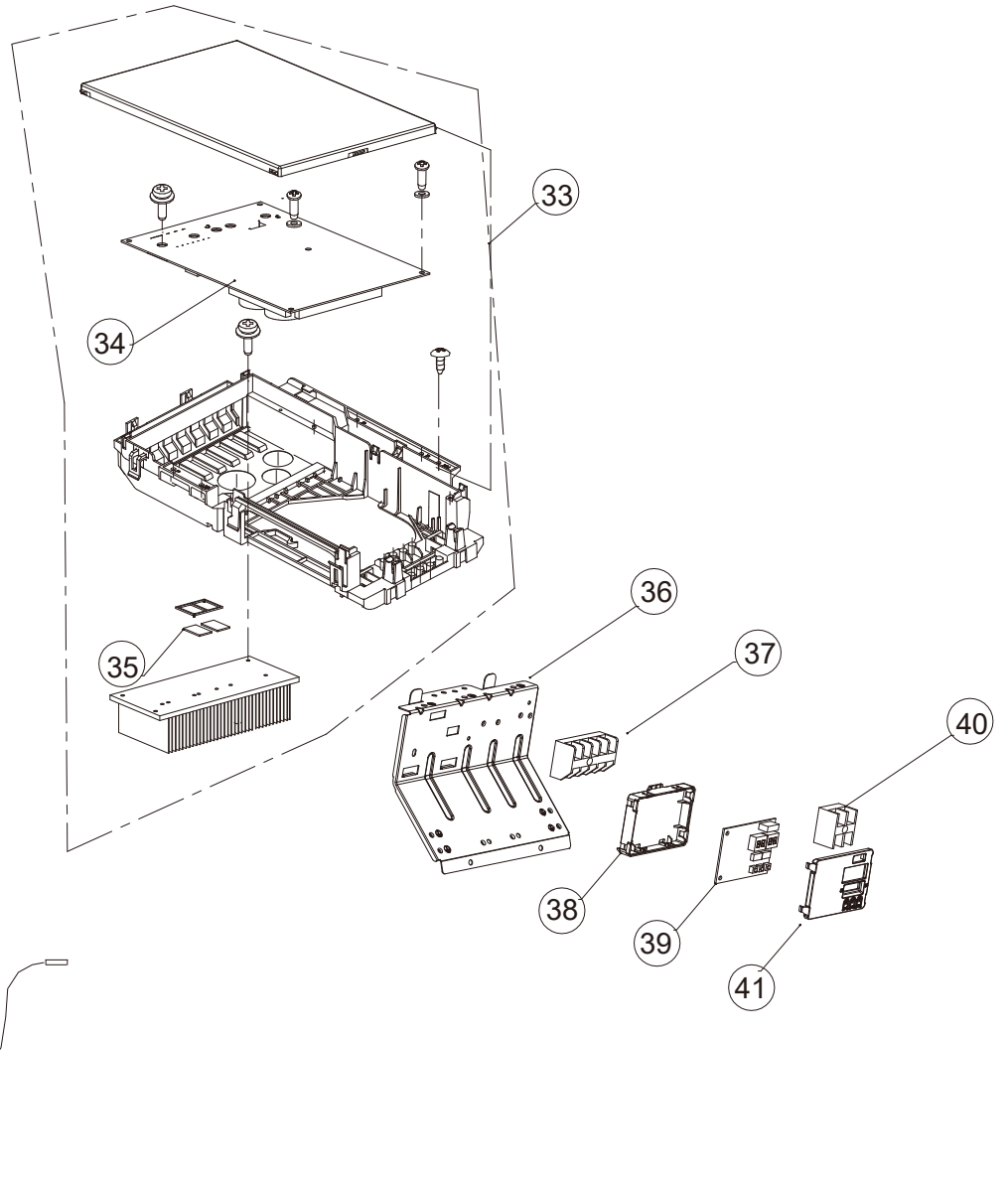
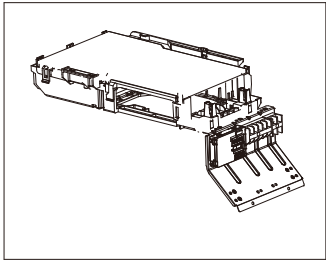
Outdoor unit
WHM36SZA21S



<Refrigerant cycle>



<Electrical parts>



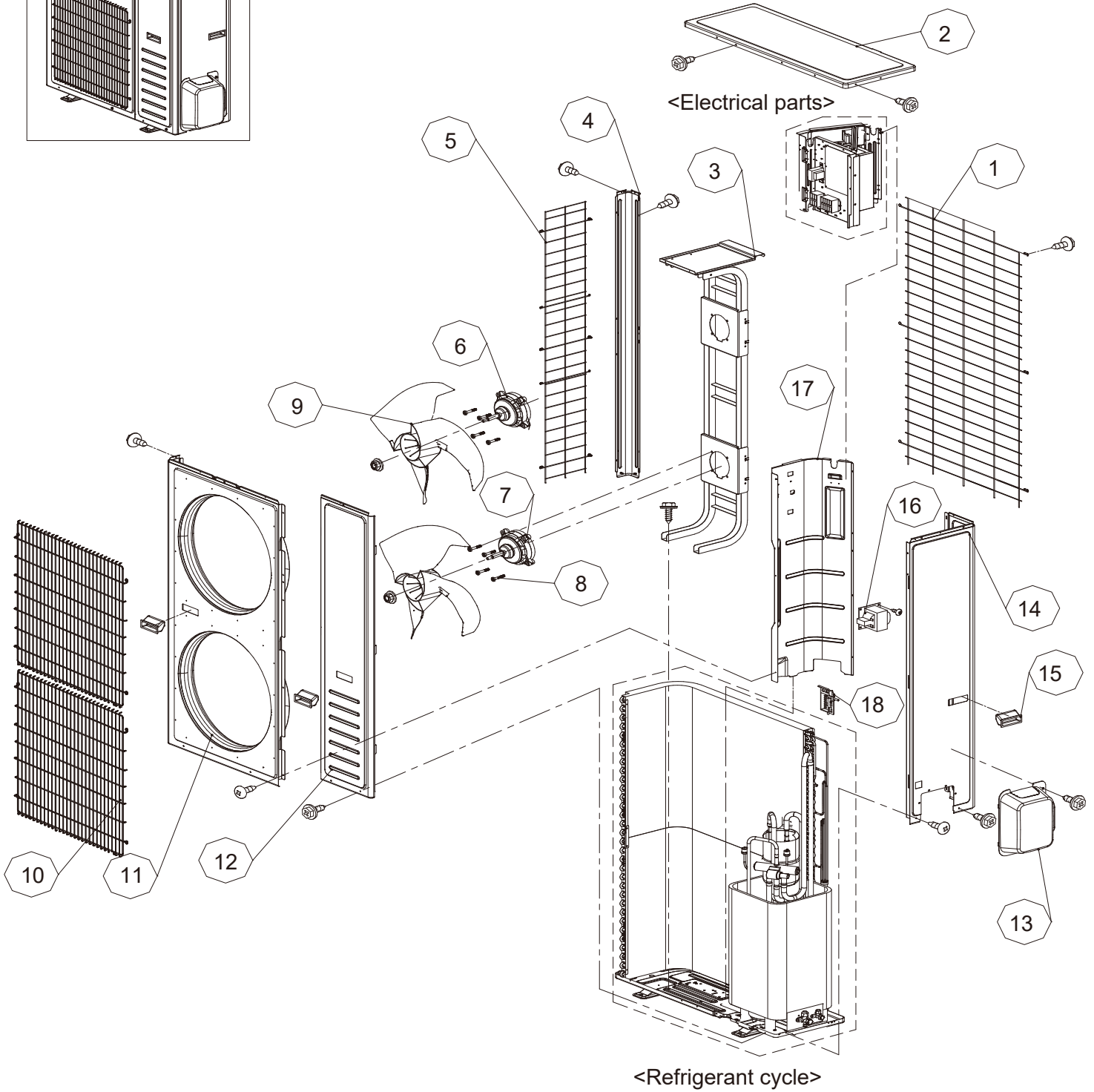
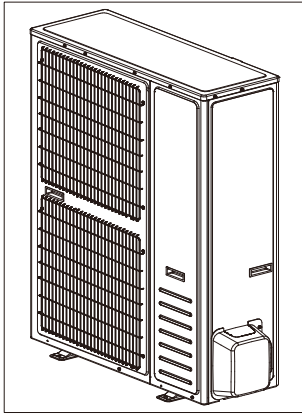
Outdoor unit
WHM36SZA21S

No.	Part number	Description
1	2118361	Fan guard
2	2118319	Front panel
3	1469450	Left guard filter
4	1382782	Mounting plate
5	1405350	Propeller fan blade
6	1421124	Fan motor
7	1880172	Motor bracket
8	1908421	Upper cover
9	1469447	Back guard filter
10	2023540	Bracket conduit SA
11	2017891	Bracket conduit
12	1493224	Side plate
13	1302261	Choke coil
14	2147392	Clapboard part
15	1472878	Valve cover
16	1546721	Senser mount plate
17	1202703	Handle
18	2157080	Valve 4 way assembly
19	1225658	Valve 4 way
20	1511783	Solenoid
21	2191577	Condenser assembly
22	1993782	Compressor
23	1511786	EEV coil
24	2095772	EEV assembly
25	1301273	EEV
26	1993788	Plate cover
27	1993517	Tube electric heater
28	1928912	Crankcase heater
29	2031010	Stop valve AS (High)
30	2030993	Valve 3 way 3/4
31	2031011	Stop valve AS (Low)
32	1466345	Valve 3 way 3/8
33	2150414	Control box unit
34	2150413	Inverter control PCB
35	1440764	Insulative spacer
36	2147395	Mounting plate
37	2150410	Wire terminal board
38	2090874	Electric box
39	2150396	Display board
40	2150185	Electric box cover
41	2150399	Wire terminal board
42	1822633	Thermistor pipe
43	1831029	Thermistor outdoor
44	1837502	Temperature sensor
45	2004319	Pressure sensor

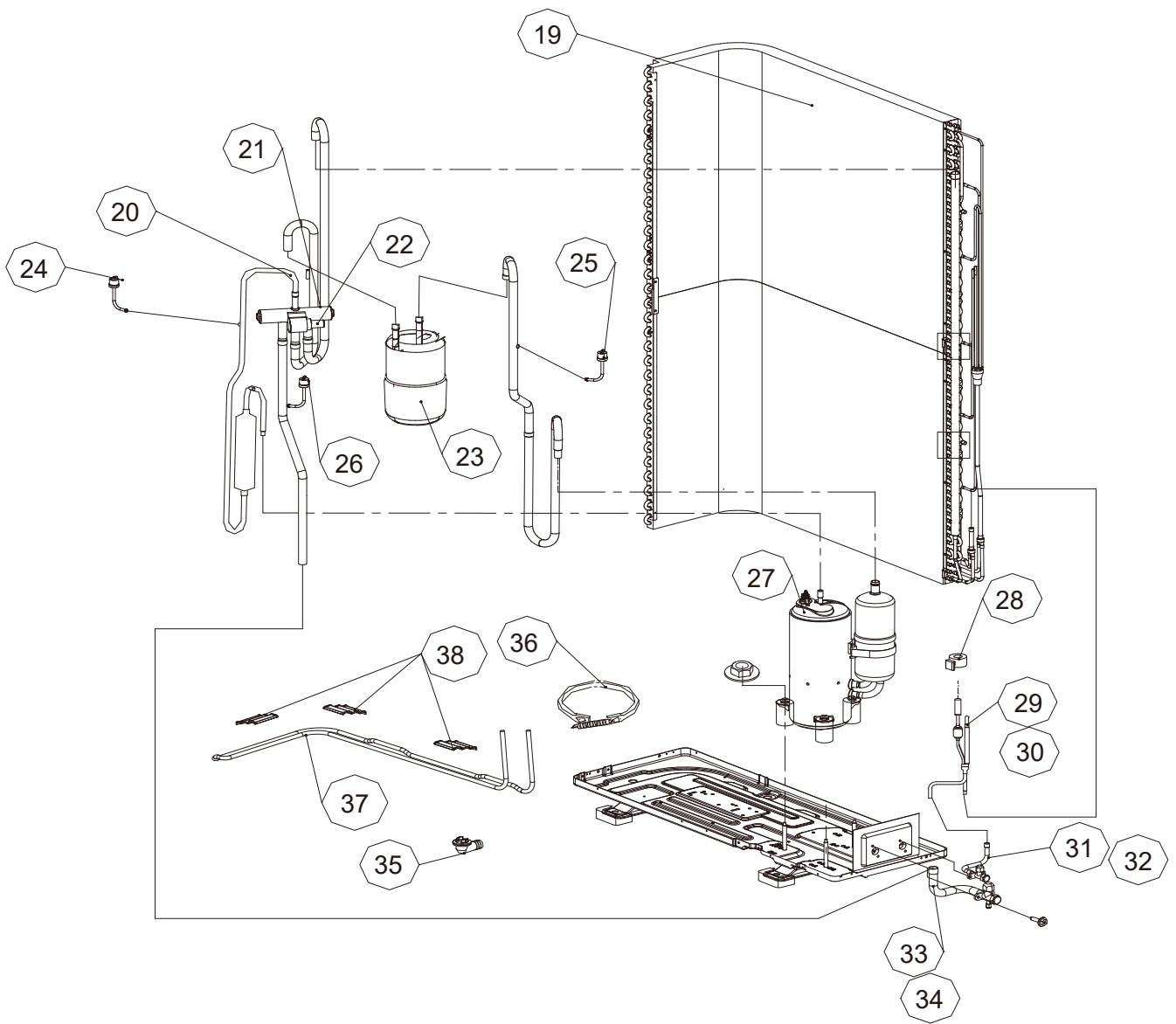
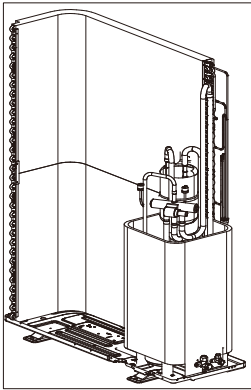
AS: assembly

SA: sub assembly

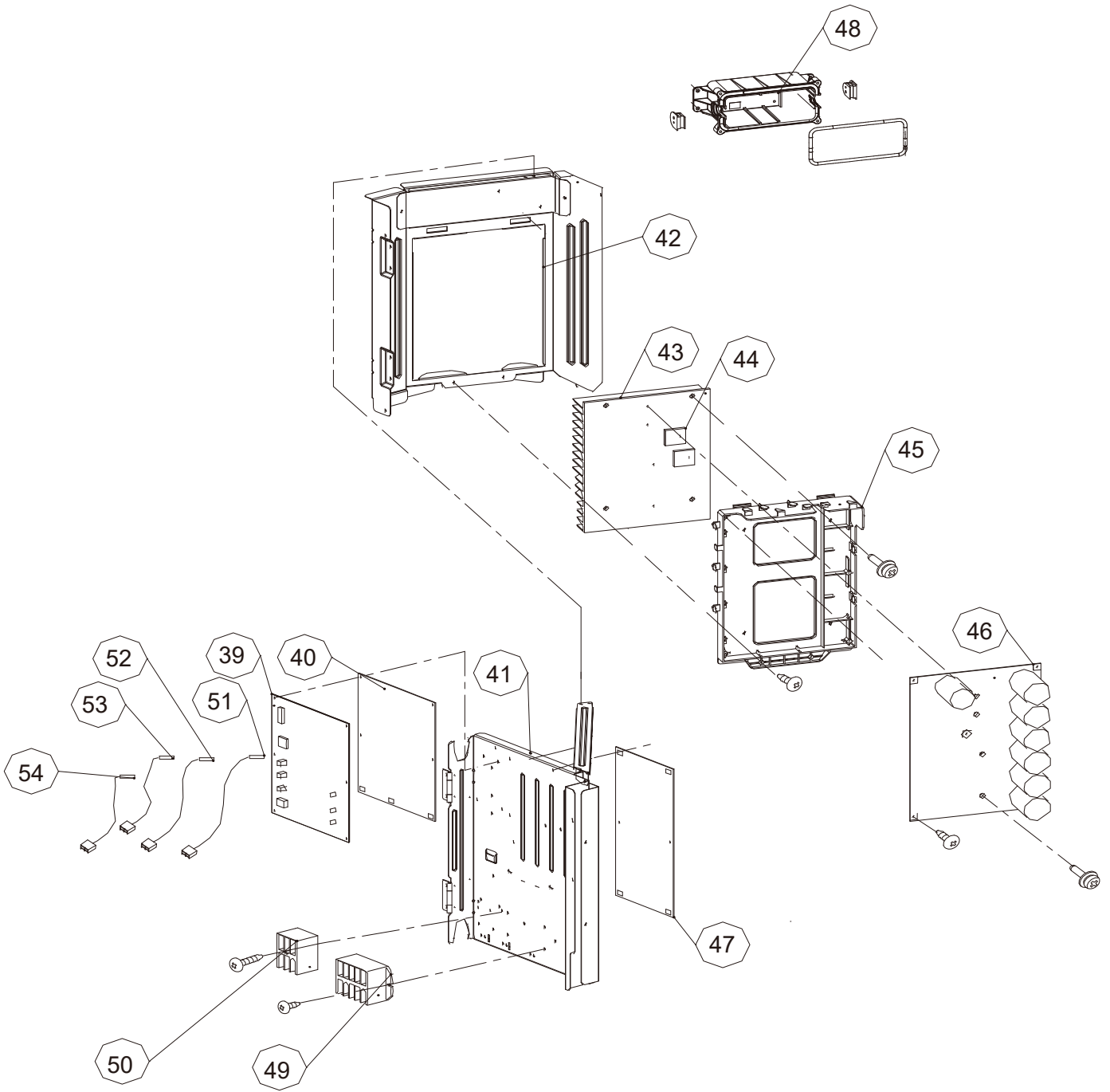
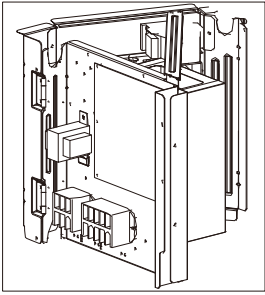
Outdoor unit
WHM48SZA21S



<Refrigerant cycle>



<Electrical parts>



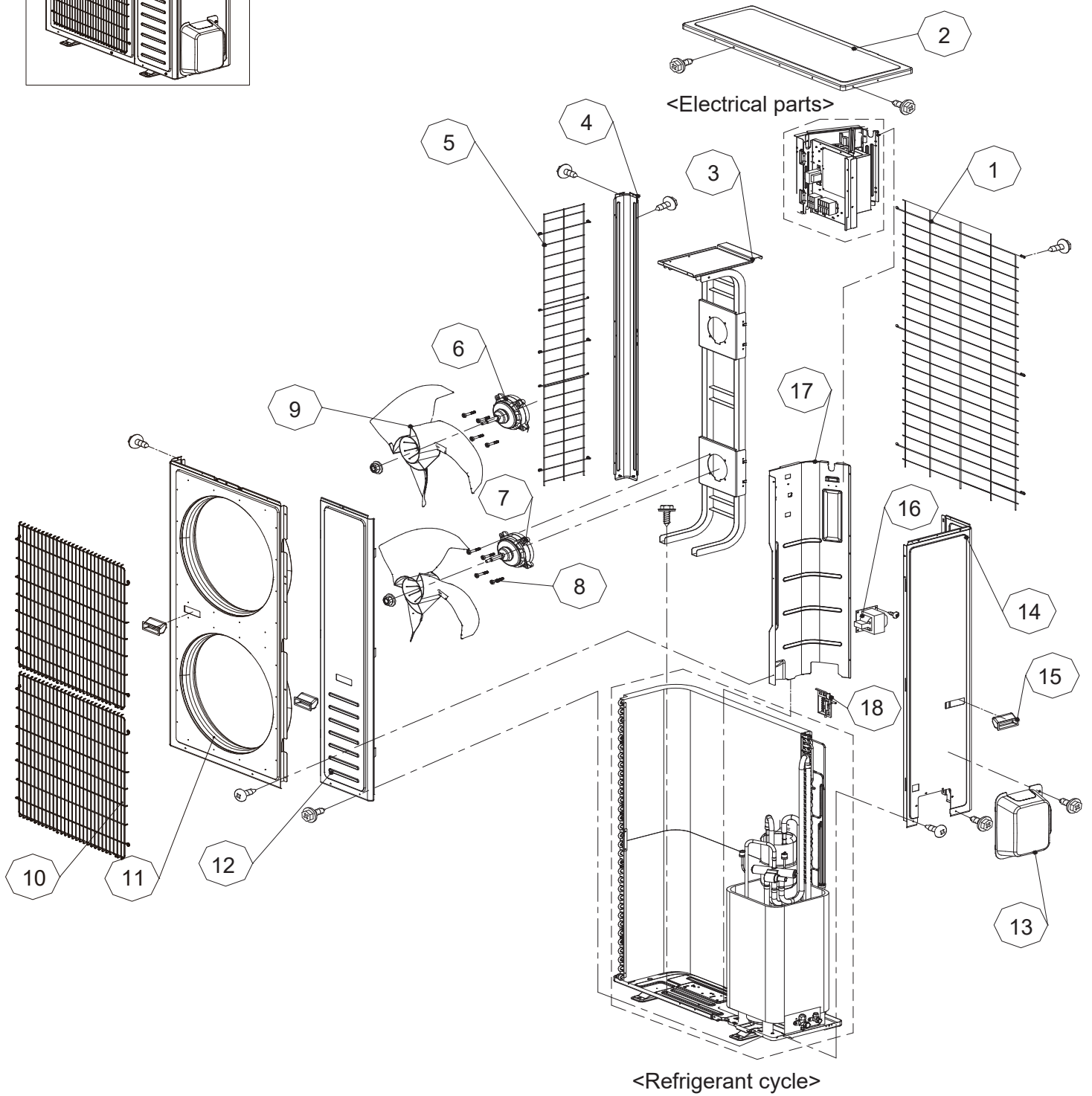
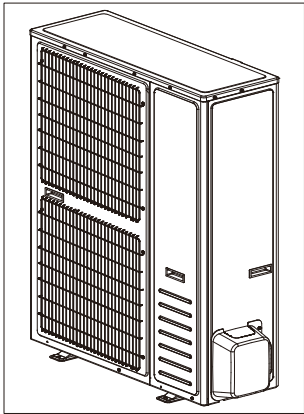
Outdoor unit
WHM48SZA21S

No.	Part number	Description
1	1470773	Back guard filter
2	1942918	Upper cover
3	1889227	Motor bracket
4	1424843	Mounting plate
5	1470782	Left guard filter
6	1421124	Fan motor
7	1464268	Fan motor
8	1971180	Bolt and washer AS
9	1899961	Propeller fan
10	2118361	Fan guard
11	1424731	Front panel
12	1424733	Service plate
13	1472878	Valve cover
14	2114432	Side plate
15	1202703	Handle
16	1400760	Choke coil
17	1460536	Clapboard part
18	1546721	Senser mount plate
19	1492139	Condenser assembly
20	2108767	Valve 4 way assembly
21	1225534	Valve 4 way
22	1302932	Solenoid
23	1325923	Gas-liquid separator
24	1918068	High pressure switch
25	1820199	Low pressure switch
26	1464759	Pressure sensor
27	2000141	Compressor

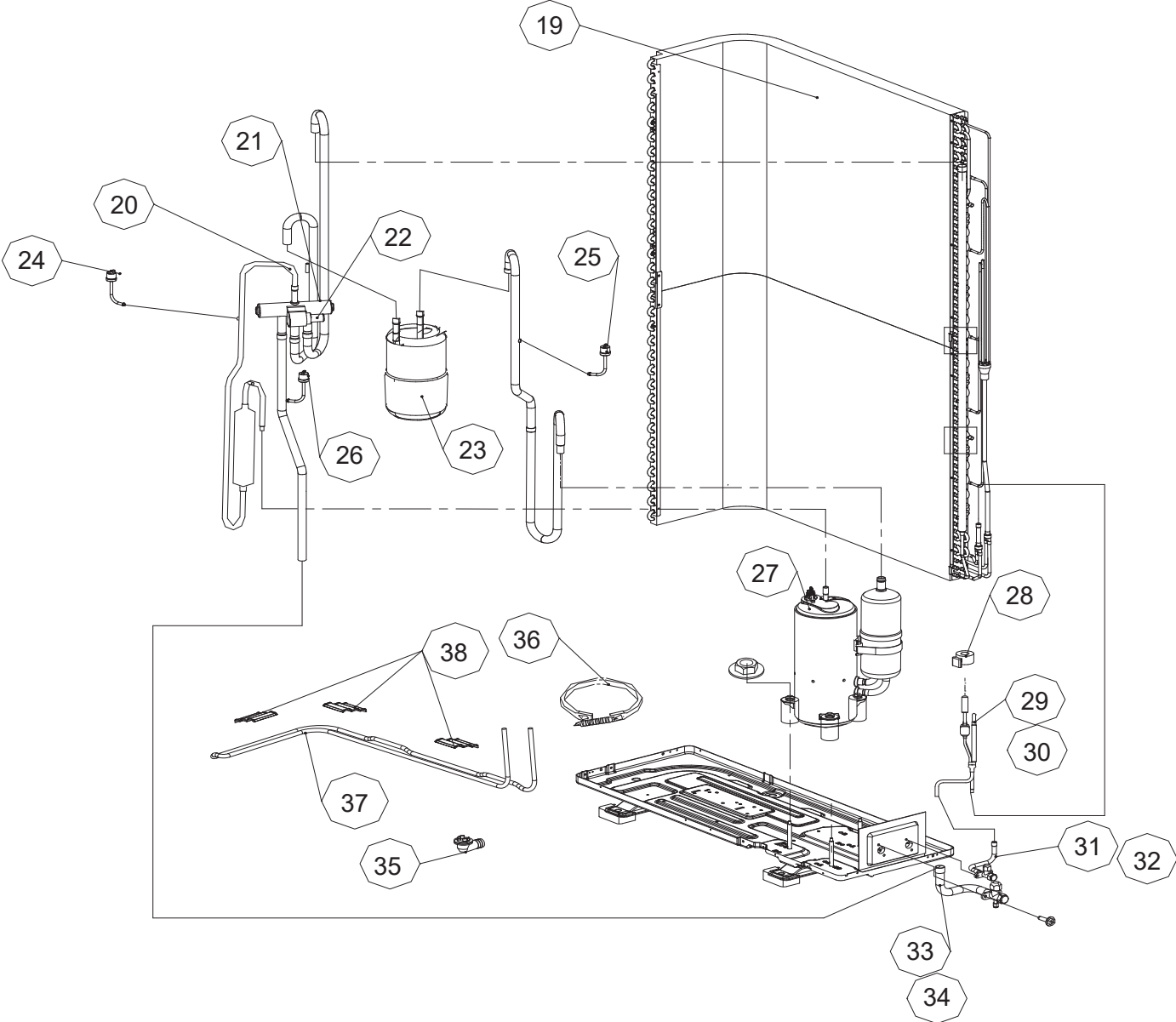
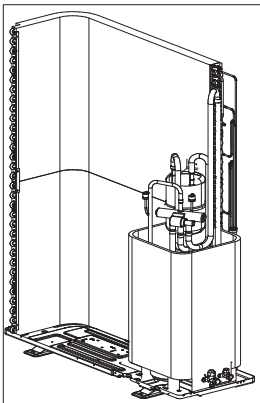
No.	Part number	Description
28	1465154	EEV coil
29	2105689	EEV assembly
30	1465131	EEV
31	2031010	Stop valve AS (High)
32	1466345	Valve 3 way 3/8
33	2108768	Stop valve AS (Low)
34	2110442	Valve 2 way 7/8
35	1204014	Drainage rostra
36	1391303	Crankcase heater
37	2110247	Tube electric heater
38	1993788	Plate cover
39	2157217	Inverter control PCB
40	2096599	Insulative spacer
41	1464292	Electric box
42	1464281	Mounting plate
43	1916769	Radiator
44	1440764	Insulative spacer
45	1519508	Mounting plate
46	2002099	Driver board
47	2095101	Filter board
48	1421352	Insulative spacer
49	1993161	Wire terminal board
50	2150410	Wire terminal board
51	1395042	Temperature sensor
52	1421856	Temperature sensor
53	1464346	Temperature sensor
54	1902722	Temperature sensor

AS: assembly

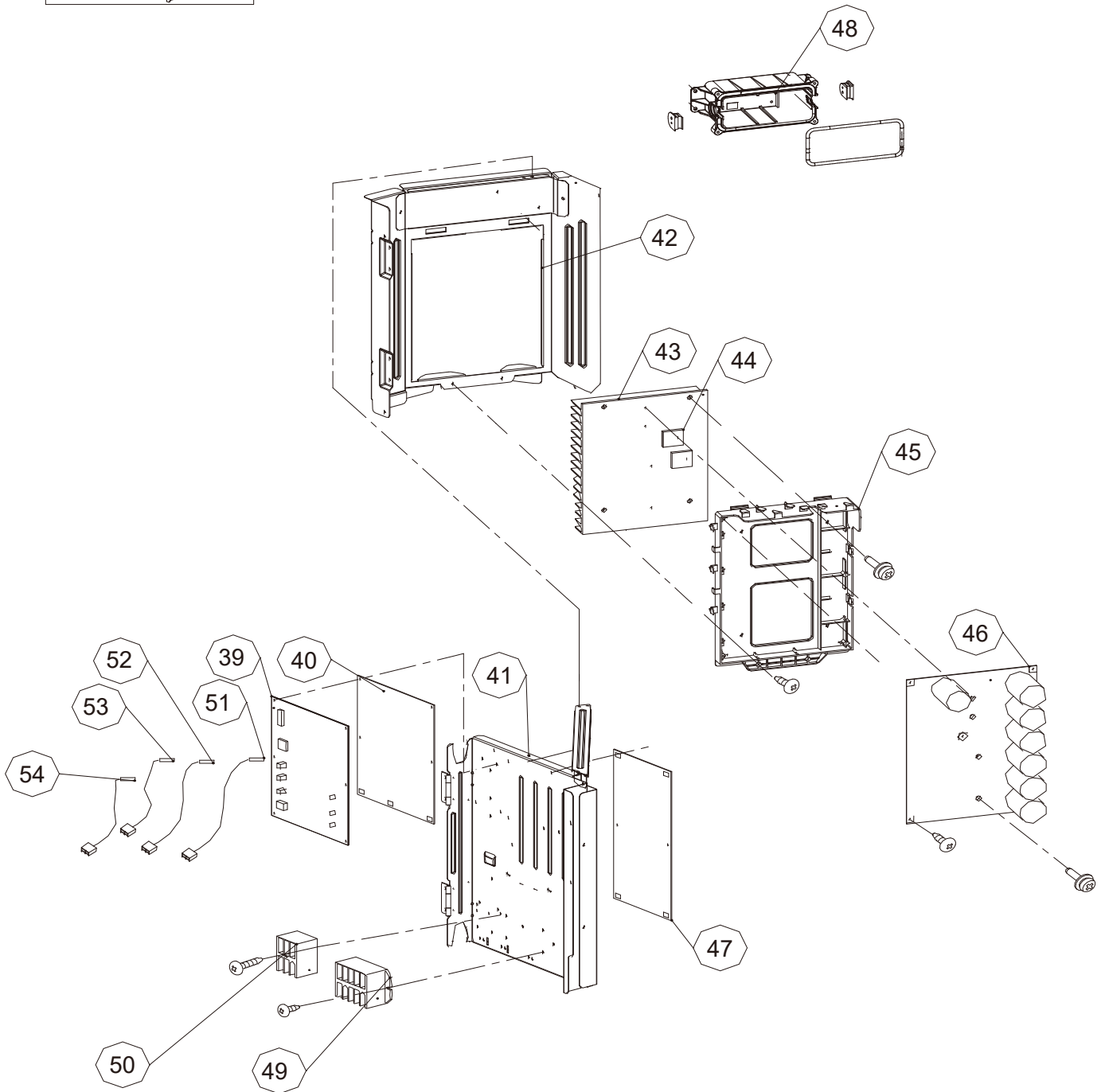
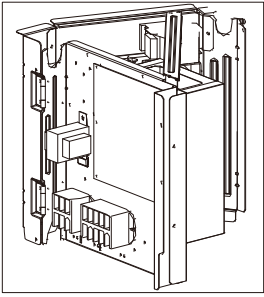
Outdoor unit
WHM60SZA21S



<Refrigerant cycle>



<Electrical parts>



Outdoor unit
WHM60SZA21S

No.	Part number	Description
1	1470773	Back guard filter
2	1942918	Upper cover
3	1889224	Motor bracket
4	1424843	Mounting plate
5	1470782	Left guard filter
6	1421124	Fan motor
7	1464268	Fan motor
8	1971180	Bolt and washer AS
9	1899961	Propeller fan
10	2118361	Fan guard
11	1424731	Front panel
12	1424733	Service plate
13	1472878	Valve cover
14	2114432	Side plate
15	1202703	Handle
16	1400760	Choke coil
17	1460536	Clapboard part
18	1546721	Senser mount plate
19	1994036	Condenser assembly
20	2184163	Valve 4 way assembly
21	1225534	Valve 4 way
22	1302932	Solenoid
23	1325923	Gas-liquid separator
24	1918068	High pressure switch
25	1820199	Low pressure switch
26	1464759	Pressure sensor
27	2000141	Compressor

No.	Part number	Description
28	1465154	EEV coil
29	2105689	EEV assembly
30	1465131	EEV
31	2031010	Stop valve AS (High)
32	1466345	Valve 3 way 3/8
33	2108768	Stop valve AS (Low)
34	2110442	Valve 2 way 7/8
35	1204014	Drainage rostra
36	1391303	Crankcase heater
37	2110247	Tube electric heater
38	1993788	Plate cover
39	2152596	Inverter control PCB
40	2096599	Insulative spacer
41	1464292	Electric box
42	1464281	Mounting plate
43	1916769	Radiator
44	1440764	Insulative spacer
45	1519508	Mounting plate
46	2002099	Driver board
47	2095101	Filter board
48	1421352	Insulative spacer
49	1993161	Wire terminal board
50	2150410	Wire terminal board
51	1395042	Temperature sensor
52	1421856	Temperature sensor
53	1464346	Temperature sensor
54	1902722	Temperature sensor

AS: assembly