

AIR CONDITIONER

**2-unit multi-split type,
3-unit multi-split type,
4-unit multi-split type,
5-unit multi-split type**

DESIGN & TECHNICAL MANUAL

INDOOR



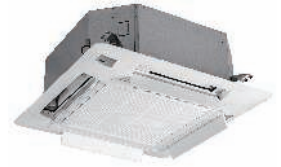
WHP07WMA21S
WHP09WMA21S
WHP12WMA21S



WHP18WMA21S
WHP24WMA21S



WHU09CTA21S
WHU12CTA21S



WHU18CTA21S
WHU24CTA21S



WHU09DHA21S
WHU12DHA21S

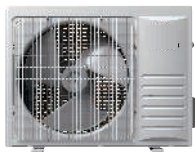


WHU18DHA21S



WHU24DHA21S

OUTDOOR



WHP18M2A21S



WHP24M3A21S



WHP36M4A21S
WHP42M5A21S

Notices:

- Product specifications and design are subject to change without notice for future improvement.
- For further details, please check with our authorized dealer.

 WARNING

This product can expose you to chemicals including Plumbum, which is known to the State of California to cause cancer and birth defects or other reproductive harm.
For more information go to www.P65Warnings.ca.gov.

CONTENTS

Part 1. INDOOR UNIT	1
1. Indoor unit connection patterns	2
2. Specifications	6
2-1. Wall mounted type	6
2-2. Cassette type	8
2-3. Duct type.....	9
3. Dimensions	10
3-1. Wall mounted type	10
3-2. Cassette type	12
3-3. Duct type.....	16
4. Wiring diagrams	21
4-1. Wall mounted type	21
4-2. Cassette type	22
4-3. Duct type.....	23
5. Fan performance	25
5-1. Fan performance curve	25
5-2. Airflow	29
6. Remote controller	33
6-1. Wireless remote controller	33
6-2. Wired remote controller.....	34
7. Accessories	35
7-1. Wall mounted type	35
7-2. Cassette type	35
7-3. Duct type.....	35

CONTENTS (continued)

Part 2. OUTDOOR UNIT37

1. Specifications	38
2. Dimensions	42
2-1. Model: WHP18M2A21S	42
2-2. Model: WHP24M3A21S	43
2-3. Models: WHP36M4A21S and WHP42M5A21S	44
3. Installation space	45
3-1. Models: WHP18M2A21S, WHP24M3A21S, WHP36M4A21S, and WHP42M5A21S	45
4. Refrigerant circuit	47
4-1. Model: WHP18M2A21S	47
4-2. Model: WHP24M3A21S	47
4-3. Model: WHP36M4A21S	48
4-4. Model: WHP42M5A21S	48
5. Wiring diagrams	49
5-1. Model: WHP18M2A21S	49
5-2. Model: WHP24M3A21S	50
5-3. Model: WHP36M4A21S	51
5-4. Model: WHP42M5A21S	52
6. Capacity table	53
6-1. Model: WHP18M2A21S	53
6-2. Model: WHP24M3A21S	55
6-3. Model: WHP36M4A21S	61
6-4. Model: WHP42M5A21S	75
7. Electrical characteristics	94
8. Accessories	95

Part 1. INDOOR UNIT

WALL MOUNTED TYPE:

WHP07WMA21S

WHP09WMA21S

WHP12WMA21S

WHP18WMA21S

WHP24WMA21S

CASSETTE TYPE:

WHU09CTA21S

WHU12CTA21S

WHU18CTA21S

WHU24CTA21S

DUCT TYPE:

WHU09DHA21S

WHU12DHA21S

WHU18DHA21S

WHU24DHA21S

1. Indoor unit connection patterns

NOTE: 7: 7,000 Btu/h, 9: 9,000 Btu/h, 12: 12,000 Btu/h, 18: 18,000 Btu/h, 24: 24,000 Btu/h

- **WHP18M2A21S (2 units)**

No.	Unit 1	Unit 2	Total
1	7	9	16
2	7	12	19
3	9	9	18
4	9	12	21

- **WHP24M3A21S (3 units)**

No.	Unit 1	Unit 2	Unit 3	Total
1	7	18	—	25
2	9	12	—	21
3	9	18	—	27
4	12	12	—	24
5	12	18	—	30
6	7	7	7	21
7	7	7	9	23
8	7	7	12	26
9	7	9	9	25
10	7	9	12	28
11	7	12	12	31
12	9	9	9	27
13	9	9	12	30

• WHP36M4A21S (4 units)

No.	Unit 1	Unit 2	Unit 3	Unit 4	Total
1	7	24	—	—	31
2	9	24	—	—	33
3	12	18	—	—	30
4	12	24	—	—	36
5	18	18	—	—	36
6	18	24	—	—	42
7	7	7	18	—	32
8	7	7	24	—	38
9	7	9	18	—	34
10	7	9	24	—	40
11	7	12	12	—	31
12	7	12	18	—	37
13	7	12	24	—	43
14	7	18	18	—	43
15	9	9	12	—	30
16	9	9	18	—	36
17	9	9	24	—	42
18	9	12	12	—	33
19	9	12	18	—	39
20	9	12	24	—	45
21	9	18	18	—	45
22	12	12	12	—	36
23	12	12	18	—	42
24	7	7	7	9	30
25	7	7	7	12	33
26	7	7	7	18	39
27	7	7	7	24	45
28	7	7	9	9	32
29	7	7	9	12	35
30	7	7	9	18	41
31	7	7	12	12	38
32	7	9	9	9	34
33	7	9	9	12	37
34	7	9	9	18	43
35	7	9	12	18	46
36	7	9	12	12	40
37	7	12	12	12	43
38	9	9	9	9	36
39	9	9	9	12	39
40	9	9	9	18	45
41	9	9	12	12	42
42	9	12	12	12	45

• WHP42M5A21S (5 units)

No.	Unit 1	Unit 2	Unit 3	Unit 4	Unit 5	Total
1	7	9	18	—	—	34
2	7	9	24	—	—	40
3	7	12	18	—	—	37
4	7	12	24	—	—	43
5	7	18	24	—	—	49
6	9	9	18	—	—	36
7	9	9	24	—	—	42
8	9	12	18	—	—	39
9	9	12	24	—	—	45
10	9	18	24	—	—	51
11	12	12	18	—	—	42
12	12	12	24	—	—	48
13	12	18	24	—	—	54
14	7	7	7	18	—	39
15	7	7	7	24	—	45
16	7	7	9	12	—	35
17	7	7	9	18	—	41
18	7	7	9	24	—	47
19	7	7	12	12	—	38
20	7	7	12	18	—	44
21	7	7	12	24	—	50
22	7	9	9	9	—	34
23	7	9	9	12	—	37
24	7	9	9	18	—	43
25	7	9	9	24	—	49
26	7	9	12	12	—	40
27	7	9	12	18	—	46
28	7	9	12	24	—	52
29	7	12	12	12	—	43
30	7	12	12	18	—	49
31	9	9	9	9	—	36
32	9	9	9	12	—	39
33	9	9	9	18	—	45
34	9	9	9	24	—	51
35	9	9	12	12	—	42
36	9	9	12	18	—	48
37	9	9	12	24	—	54
38	9	12	12	12	—	45
39	9	12	12	18	—	51
40	12	12	12	12	—	48
41	12	12	12	18	—	54
42	7	7	7	7	7	35
43	7	7	7	7	9	37
44	7	7	7	7	12	39
45	7	7	7	7	18	46
46	7	7	7	7	24	52
47	7	7	7	9	9	39
48	7	7	7	9	12	42
49	7	7	7	9	18	48
50	7	7	7	9	24	54
51	7	7	7	12	12	45
52	7	7	7	12	18	51
53	7	7	9	9	9	41
54	7	7	9	9	12	44

No.	Unit 1	Unit 2	Unit 3	Unit 4	Unit 5	Total
55	7	7	9	9	18	50
56	7	7	9	12	12	47
57	7	7	12	12	12	50
58	7	9	9	9	9	43
59	7	9	9	9	12	46
60	7	9	9	9	18	52
61	7	9	9	12	12	49
62	7	9	12	12	12	52
63	9	9	9	9	9	45
64	9	9	9	9	12	48
65	9	9	9	9	18	54
66	9	9	9	12	12	51
67	9	9	12	12	12	54

2. Specifications

2-1. Wall mounted type

Type				Wall mounted				
				Inverter, Heat pump				
Model name				WHP07WMA21S	WHP09WMA21S	WHP12WMA21S		
Power supply				208/230 V ~ 60 Hz				
Available voltage range				198—253 V				
Fan	Airflow rate	Cooling	HIGHER	CFM (m ³ /h)	383 (650)		394 (670)	
			HIGH		341 (580)		365 (620)	
			MED		294 (500)		312 (530)	
		LOW	247 (420)		253 (430)			
		LOWER	224 (380)					
		HIGHER	383 (650)		394 (670)			
	Heating	HIGH	341 (580)		365 (620)			
		MED	294 (500)		312 (530)			
		LOW	247 (420)		253 (430)			
		LOWER	224 (380)					
		Type × Qty				Crossflow fan × 1		
		Motor output				W		
Sound pressure level*	Cooling	HIGHER	HIGHER	dB (A)	25		42	
			HIGH		39		32	
			MED		29		26	
		LOW	42		39			
		LOWER	39		32			
		HIGHER	29		26			
	Heating	HIGH	42		39			
		MED	39		32			
		LOW	29		26			
		LOWER	26					
		Dimensions (H × W × D)				in (mm)		
		Fin pitch				FPI		
Rows × Stages				2 × 14				
Pipe type				Copper				
Fin type				Aluminum				
Material				Polystyrene				
Color				White				
Dimensions (H × W × D)	Net		in (mm)	10-5/8 × 33-7/16 × 8-7/16 (270 × 850 × 215)				
	Gross			13-3/16 × 37 × 10-7/16 (335 × 940 × 265)				
Weight	Net		lb (kg)	20 (9)				
	Gross			24 (11)		26 (12)		
Connection pipe	Size	Liquid	in (mm)	Ø1/4 (Ø6.35)				
		Gas		Ø3/8 (Ø9.52)				
	Method			Flare				
Material				PE/PVC				
Tip diameter				in (mm)				
Cooling				°F (°C)				
Heating				%RH				
Cooling				°F (°C)				
Heating				°F (°C)				
Remote controller type				Wireless (Wired [option])				
NOTES:								
<ul style="list-style-type: none"> • Protective function might work when using it outside the operation range. • *: Sound pressure level: <ul style="list-style-type: none"> – Measured values in manufacturer's anechoic chamber. – Because of the surrounding sound environment, the sound levels measured in actual installation conditions might be higher than the specified values here. 								

Type				Wall mounted		
				Inverter, Heat pump		
Model name				WHP18WMA21S	WHP24WMA21S	
Power supply				208/230 V ~ 60 Hz		
Available voltage range				198—253 V		
Fan	Airflow rate	Cooling	HIGHER	CFM (m ³ /h)	647 (1,100)	706 (1,200)
			HIGH		589 (1,000)	647 (1,100)
			MED		483 (820)	559 (950)
			LOW		459 (780)	441 (750)
			LOWER		383 (650)	368 (625)
		Heating	HIGHER		647 (1,100)	706 (1,200)
			HIGH		589 (1,000)	647 (1,100)
			MED		483 (820)	559 (950)
			LOW		459 (780)	441 (750)
			LOWER		383 (650)	368 (625)
Type × Qty				Crossflow fan × 1		
Motor output				W		
Sound pressure level*	Cooling		HIGHER	dB (A)	48	50
			HIGH		45	47
			MED		41	42
			LOW		37	36
			LOWER		34	33
	Heating		HIGHER		48	50
			HIGH		45	47
			MED		41	42
			LOW		37	36
			LOWER		34	33
Heat exchanger type	Dimensions (H × W × D)		in (mm)	12-1/2 × 33-1/8 × 1-1/16 (318 × 842 × 27.2)		
	Fin pitch		FPI	18		
	Rows × Stages			2 × 18		
	Pipe type			Copper		
	Fin type			Aluminum		
Enclosure	Material			Polystyrene		
	Color			White		
Dimensions (H × W × D)	Net		in (mm)	12-3/8 × 44-1/2 × 9-5/16 (315 × 1,130 × 237)		
	Gross			15-3/8 × 47-5/8 × 12-7/16 (390 × 1,210 × 316)		
Weight	Net		lb (kg)	32 (14.5)		
	Gross			37 (17)		
Connection pipe	Size	Liquid	in (mm)	Ø1/4 (Ø6.35)		
		Gas		Ø3/8 (Ø9.52)		
Method				Flare		
Drain hose	Material			PE/PVC		
	Tip diameter		in (mm)	Ø5/8 (Ø15.4) (I.D.), Ø7/8 (Ø23) (O.D.)		
Operation range	Cooling		°F (°C)	61 to 86 (16 to 30)		
			%RH	80 or less		
Heating		°F (°C)	61 to 86 (16 to 30)			
Remote controller type				Wireless (Wired [option])		
NOTES:						
<ul style="list-style-type: none"> • Protective function might work when using it outside the operation range. • *: Sound pressure level: <ul style="list-style-type: none"> – Measured values in manufacturer's anechoic chamber. – Because of the surrounding sound environment, the sound levels measured in actual installation conditions might be higher than the specified values here. 						

2-2. Cassette type

Type				Cassette				
				Inverter, Heat pump				
Model name				WHU09CTA21S	WHU12CTA21S	WHU18CTA21S	WHU24CTA21S	
Power supply				208/230 V ~ 60 Hz				
Available voltage range				198—253 V			176—253 V	
Fan	Airflow rate	Cooling	HIGH	CFM (m ³ /h)	309 (520)	324 (550)	588 (1,000)	647 (1,100)
			MED		274 (460)	294 (500)	500 (850)	530 (900)
			LOW		232 (390)	235 (400)	394 (670)	400 (680)
		Heating	HIGH		309 (520)	324 (550)	588 (1,000)	647 (1,100)
			MED		274 (460)	294 (500)	500 (850)	530 (900)
			LOW		232 (390)	235 (400)	394 (670)	400 (680)
Type × Qty				Turbo × 1				
Motor output				W		80		
Sound pressure level*		Cooling	HIGH	dB (A)	38	42	38	44
			MED		34	37	36	40
			LOW		31	33	34	38
		Heating	HIGH		38	42	38	44
			MED		34	37	36	40
			LOW		31	33	34	38
Heat exchanger type	Dimensions (H × W × D)		in (mm)	6-9/16 × 49-1/2 × 3/4 (166 × 1,258 × 18.8)	6-9/16 × 47-3/4 × 1-1/8 (166.7 × 1,213 × 28.2)	7-7/16 × 73-5/8 × 1-1/16 (189 × 1,870 × 27.2)	7-7/16 × 76-3/8 × 1-5/8 (189 × 1,940 × 40.8)	
	Fin pitch		FPI	20		17		
	Rows × Stages			2 × 8	3 × 8	2 × 10	3 × 10	
	Pipe type			Copper				
	Fin type			Aluminum				
Dimensions (H × W × D)	Net		in (mm)	8-1/2 × 22-1/2 × 22-1/2 (215 × 570 × 570)		9-3/4 × 33-1/8 × 33-1/8 (248 × 840 × 840)		
	Gross			4-1/2 × 26-3/4 × 27-1/8 (292 × 668 × 730)		4-3/4 × 40 × 40-3/8 (370 × 956 × 996)		
Weight	Net		lb (kg)	32 (14.5)	34 (15.5)	56 (25)	59.5 (27)	
	Gross			38.5 (17.5)	40.5 (18.5)	76 (34)	79.5 (36)	
Connection pipe	Size	Liquid	in (mm)	Ø1/4 (Ø6.35)		Ø1/4 (Ø6.35)	Ø3/8 (Ø9.52)	
		Gas		Ø3/8 (Ø9.52)		Ø1/2 (Ø12.70)	Ø5/8 (Ø15.88)	
	Method			Flare				
Drain hose	Material			PE/PVC				
	Tip diameter		in (mm)	Ø1-1/8 (Ø27.8) (I.D.), Ø1-1/4 (Ø32.3) (O.D.)				
Operation range	Cooling		°F (°C)	61 to 86 (16 to 30)				
	Heating		%RH	80 or less				
Remote controller type				Wireless (Wired [option])				
Cassette grille (Grid type: Option)	Model name			WH-AG4CT1		WH-AG4CT2		
	Dimensions (H × W × D)	Net	in (mm)	1-5/8 × 24-3/8 × 24-3/8 (40 × 620 × 620)		1-3/4 × 37-3/8 × 37-3/8 (45 × 950 × 950)		
		Gross		4-1/2 × 26-3/4 × 27-1/8 (115 × 680 × 690)		4-3/4 × 40 × 40-3/8 (120 × 1,015 × 1,025)		
	Weight	Net	lb (kg)	5.7 (2.6)		14.3 (6.5)		
		Gross		9.9 (4.5)		20.9 (9.5)		
NOTES:								
<ul style="list-style-type: none"> • Protective function might work when using it outside the operation range. • *: Sound pressure level: <ul style="list-style-type: none"> – Measured values in manufacturer's anechoic chamber. – Because of the surrounding sound environment, the sound levels measured in actual installation conditions might be higher than the specified values here. 								

2-3. Duct type

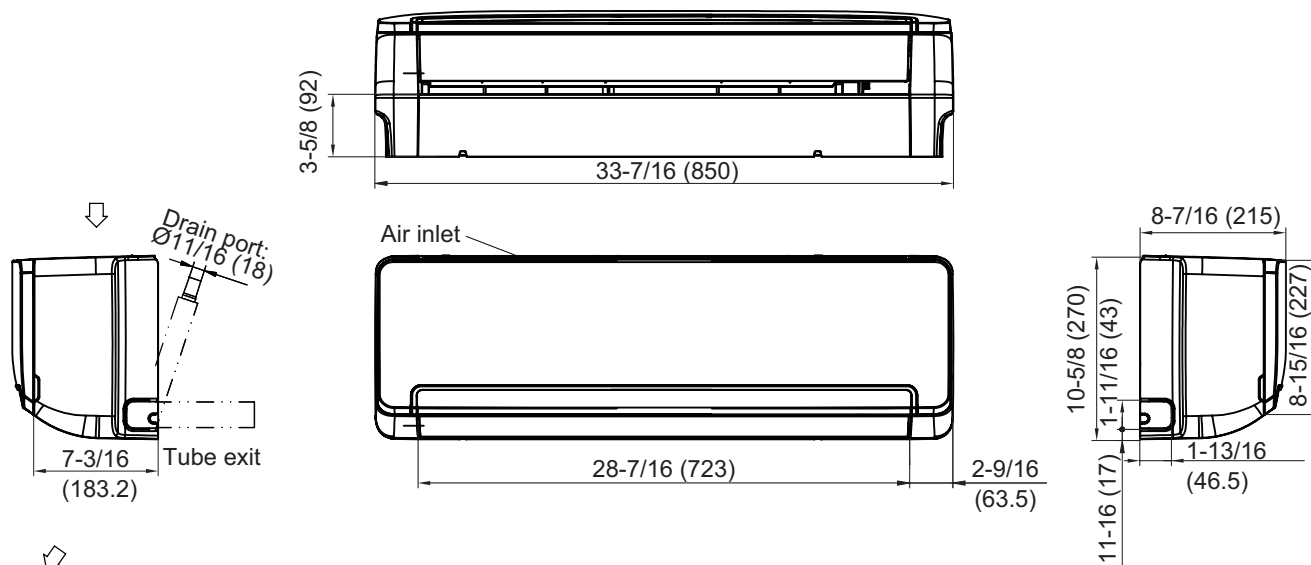
Type				Duct				
				Inverter, Heat pump				
Model name				WHU09DHA21S	WHU12DHA21S	WHU18DHA21S	WHU24DHA21S	
Power supply				208/230 V ~ 60 Hz				
Available voltage range				198—253 V			176—253 V	
Fan	Airflow rate	Cooling	HIGH	CFM (m ³ /h)	309 (520)	324 (550)	529 (900)	706 (1,200)
			MED		259 (435)	285 (484)	441 (750)	588 (1,000)
			LOW		208 (350)	235 (400)	371 (630)	500 (850)
		Heating	HIGH		309 (520)	324 (550)	529 (900)	706 (1,200)
			MED		259 (435)	285 (484)	441 (750)	588 (1,000)
			LOW		208 (350)	235 (400)	371 (630)	500 (850)
Type × Qty				Sirocco × 2		Sirocco × 3	Sirocco × 2	
Motor output		W		40		60	95	
Static pressure range				inWG (Pa)				
				0 to 0.2 (0 to 50)				
Sound pressure level*	Cooling	HIGH	dB (A)	35	36	38	42	
		MED		33	34	37	38	
		LOW		32	33	36	36	
	Heating	HIGH		35	36	38	42	
		MED		33	34	37	38	
		LOW		32	33	36	36	
Heat exchanger type	Dimensions (H × W × D)		in (mm)	8-1/4 × 28-13/16 × 1-5/8 (210 × 732 × 40.8)		8-1/4 × 39-7/16 × 1-5/8 (210 × 1,002 × 40.8)	11-9/16 × 27-9/16 × 1-5/8 (294 × 700 × 40.8)	
	Fin pitch		FPI	16				
	Rows × Stages				3 × 10		3 × 14	
	Pipe type		Copper					
	Fin type		Aluminum					
Dimensions (H × W × D)	Net		in (mm)	7-1/2 × 35-7/8 × 17-5/8 (190 × 910 × 447)		7-1/2 × 46-1/2 × 17-5/8 (190 × 1,180 × 447)	10-5/8 × 35-3/8 × 28-3/8 (270 × 900 × 720)	
	Gross			11-1/4 × 42-1/2 × 22-1/4 (285 × 1,080 × 565)		11-1/4 × 53-1/8 × 22-1/4 (285 × 1,350 × 565)	13-3/8 × 46-1/8 × 34-1/4 (340 × 1,170 × 870)	
Weight	Net		lb (kg)	39.7 (18)		49.6 (22.5)	66.1 (30)	
	Gross			46.3 (21)		57.3 (26)	77.2 (35)	
Connection pipe	Size	Liquid	in (mm)	Ø1/4 (Ø6.35)		Ø1/4 (Ø6.35)	Ø1/4 (Ø6.35)	
		Gas		Ø3/8 (Ø9.52)		Ø1/2 (Ø12.70)	Ø5/8 (Ø15.88)	
	Method			Flare				
Drain hose	Material		PVC					
	Tip diameter		in (mm)		Ø1-1/8 (Ø27.8) (I.D.), Ø1-1/4 (Ø32.3) (O.D.)			
Operation range	Cooling	°F (°C)		61 to 86 (16 to 30)				
		%RH		80 or less				
	Heating	°F (°C)		61 to 86 (16 to 30)				
Remote controller type				Wired (IR receiver unit [option])				
IR receiver unit (Option)		Model name		WH-AIRDH1				
NOTES:								
<ul style="list-style-type: none"> Protective function might work when using it outside the operation range. *: Sound pressure level: <ul style="list-style-type: none"> Measured values in manufacturer's anechoic chamber. Because of the surrounding sound environment, the sound levels measured in actual installation conditions might be higher than the specified values here. 								

3. Dimensions

3-1. Wall mounted type

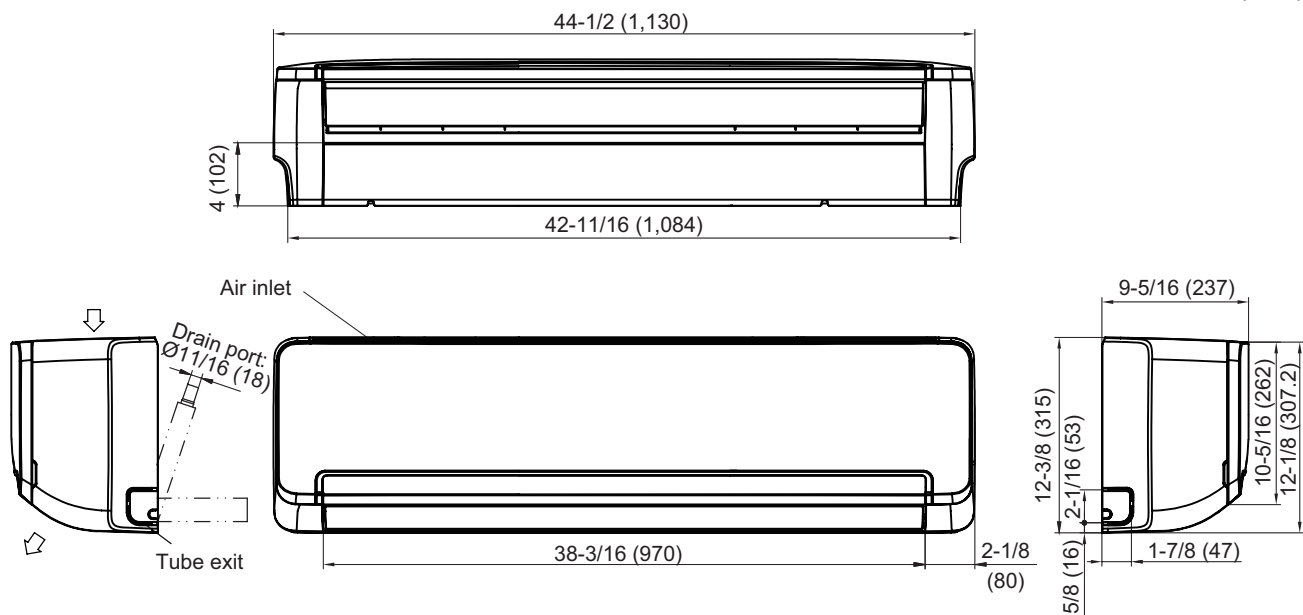
■ Models: WHP07WMA21S, WHP09WMA21S, and WHP12WMA21S

Unit: in (mm)



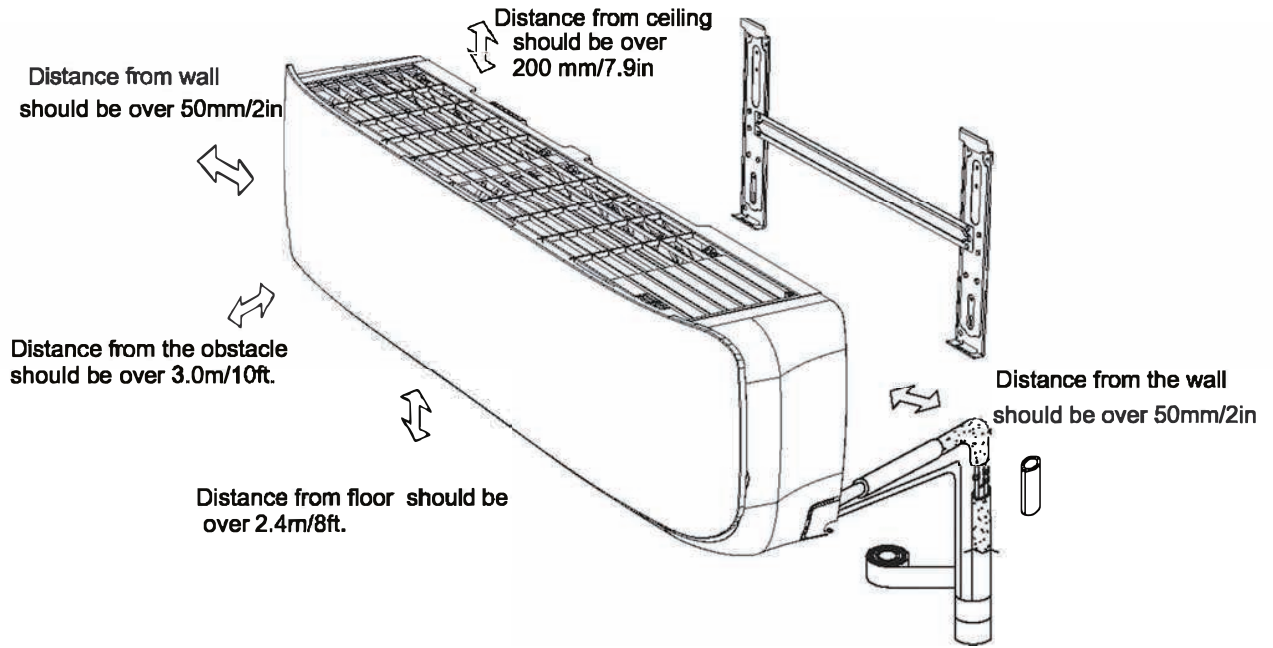
■ Models: WHP18WMA21S and WHP24WMA21S

Unit: in (mm)



■ Installation space requirement

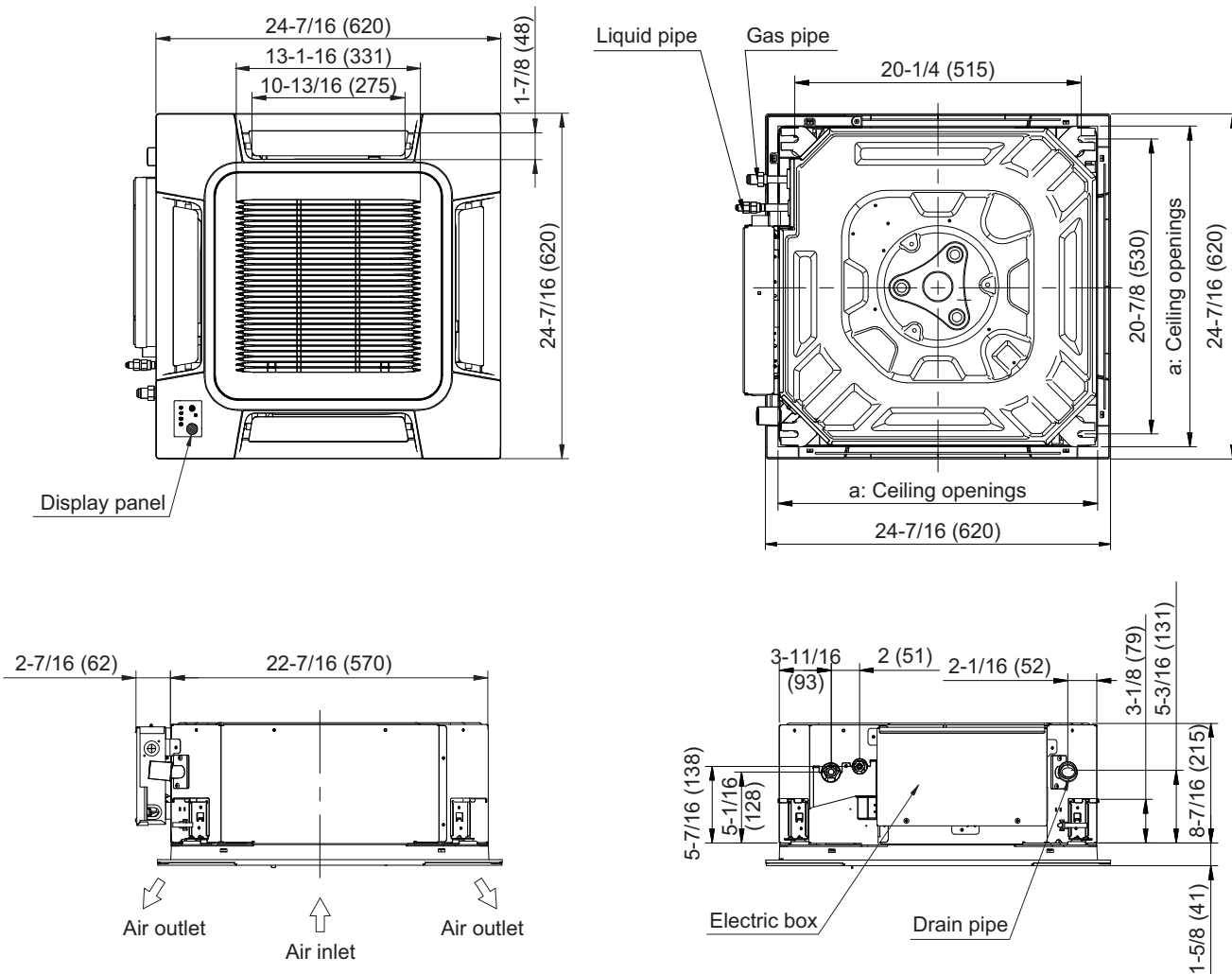
Provide sufficient installation space for product safety.



3-2. Cassette type

■ Models: WHU09CTA21S and WHU12CTA21S

Unit: in (mm)

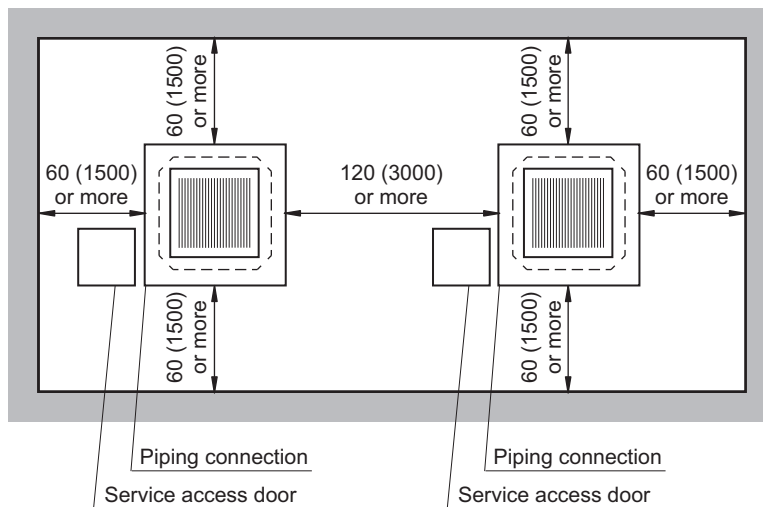
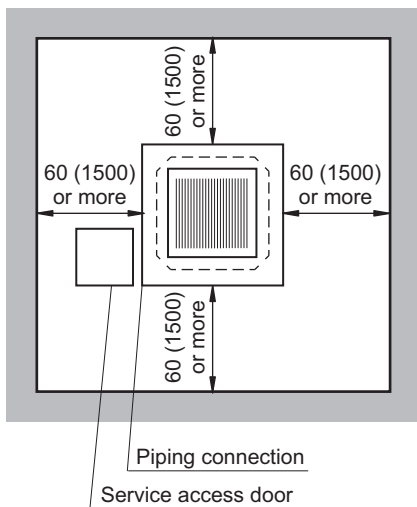
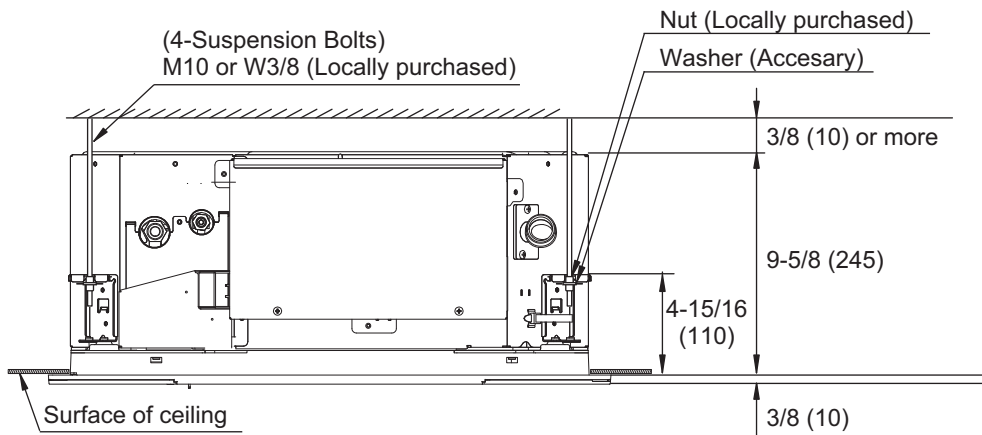


a: Ceiling openings		
Cassette grille (Option [Grid type])	in (mm)	22-5/8 to 23-1/4 (575 to 590)

Installation space requirement

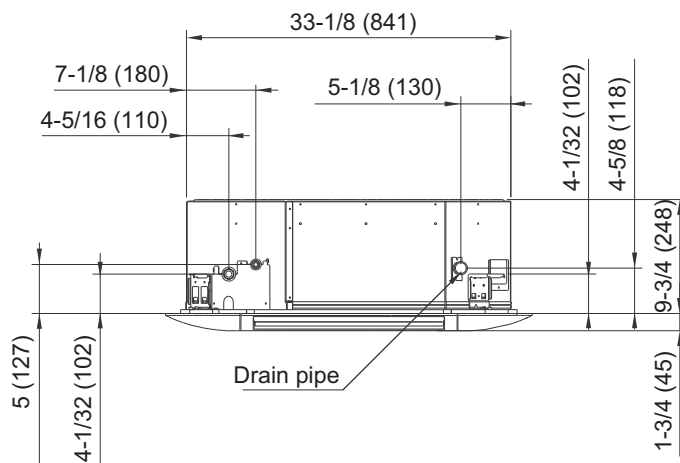
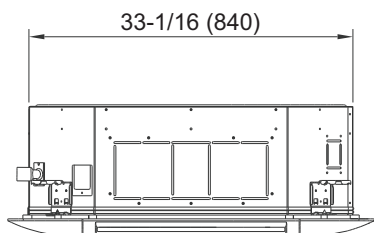
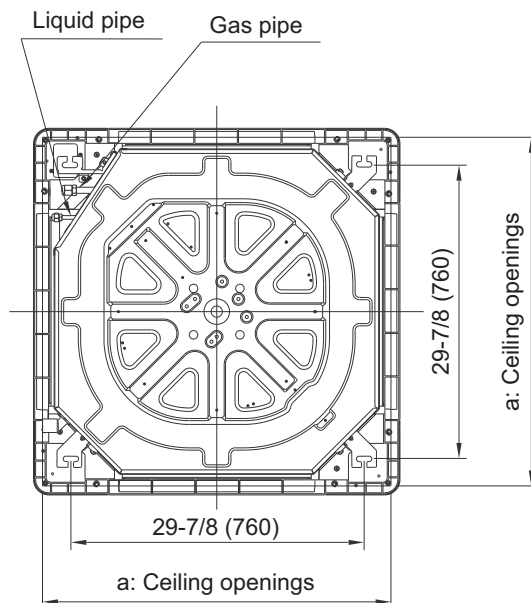
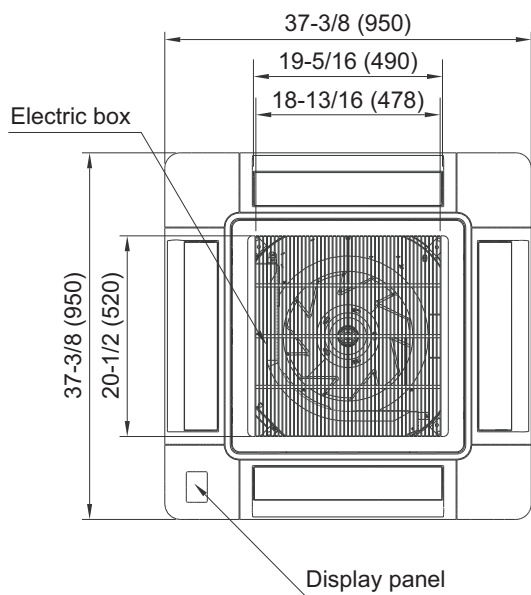
Provide sufficient installation space for product safety.

Unit: in (mm)



Models: WHU18CTA21S and WHU24CTA21S

Unit: in (mm)

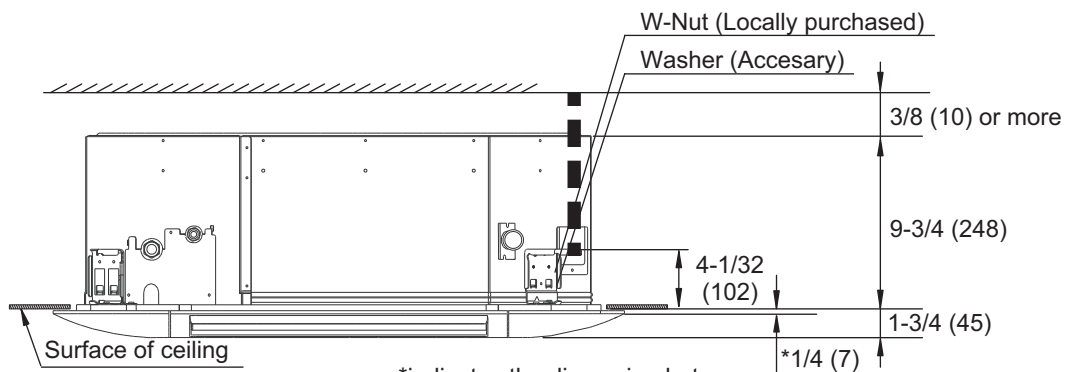


a: Ceiling openings		
Cassette grille (Option [Grid type])	in (mm)	33-7/8 to 35-13/16 (860 to 910)

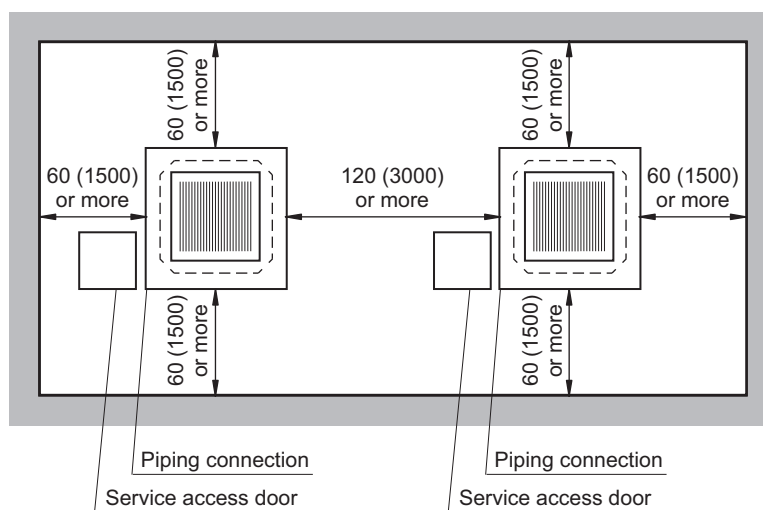
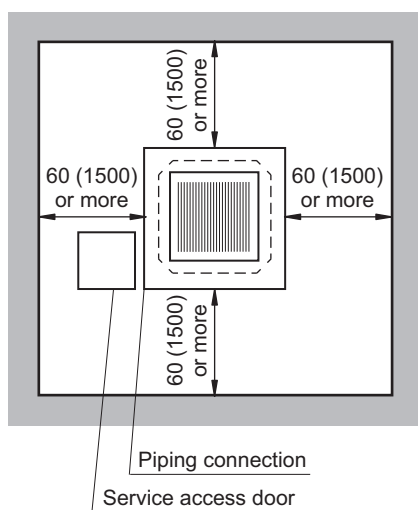
Installation space requirement

Provide sufficient installation space for product safety.

Unit: in (mm)



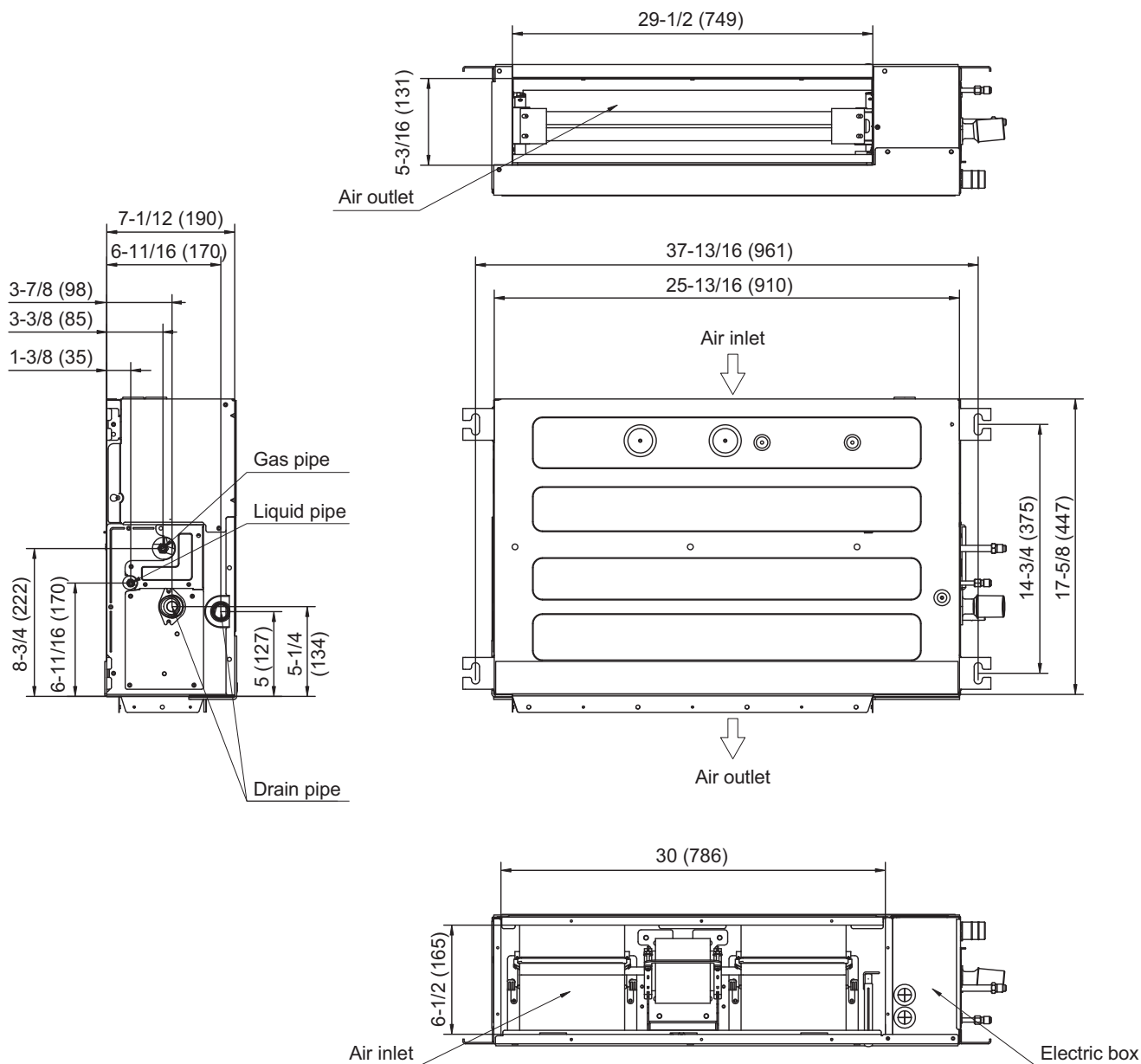
*indicates the dimension between lower face of indoor unit and surface of ceiling.



3-3. Duct type

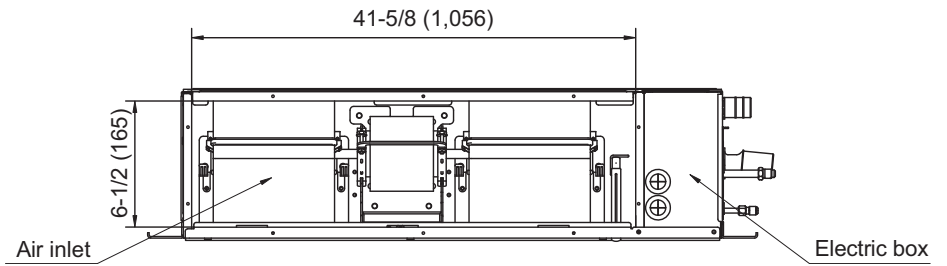
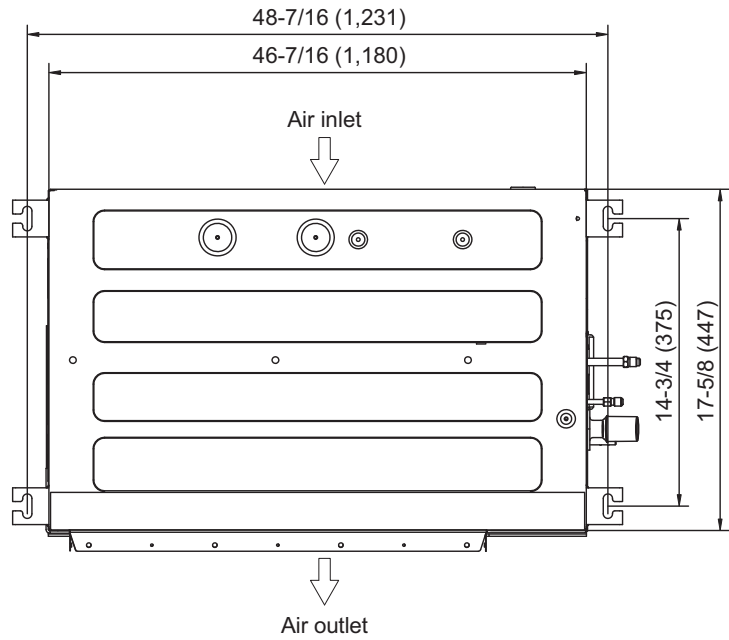
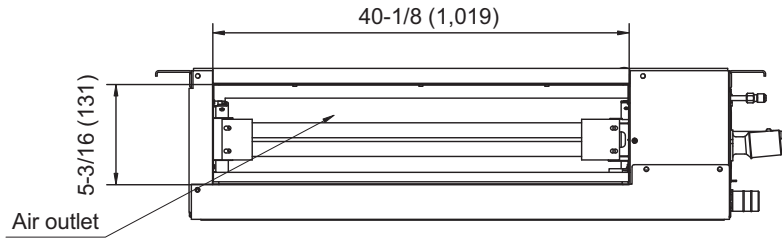
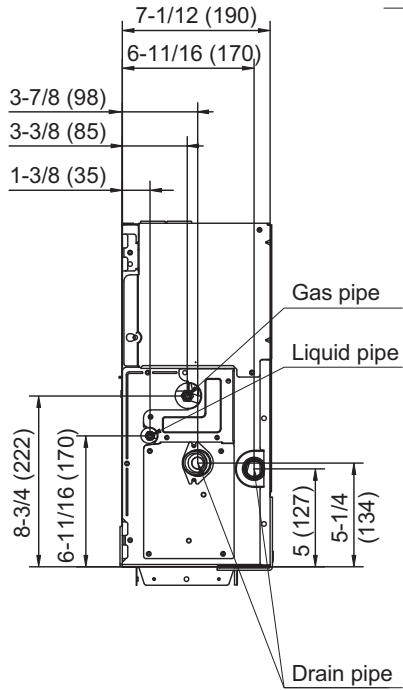
■ Models: WHU09DHA21S and WHU12DHA21S

Unit: in (mm)



Model: WHU18DHA21S

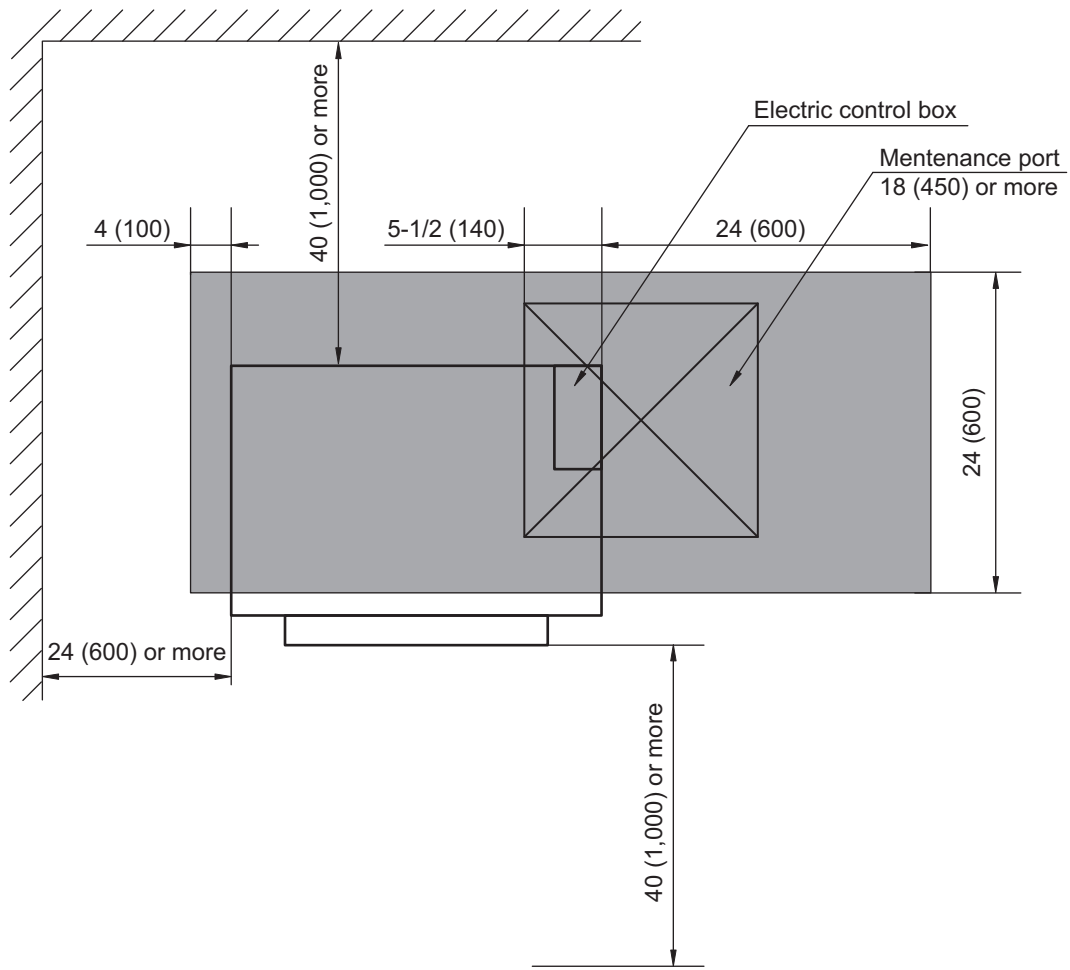
Unit: in (mm)



■ Installation space requirement

Provide sufficient installation space for product safety.

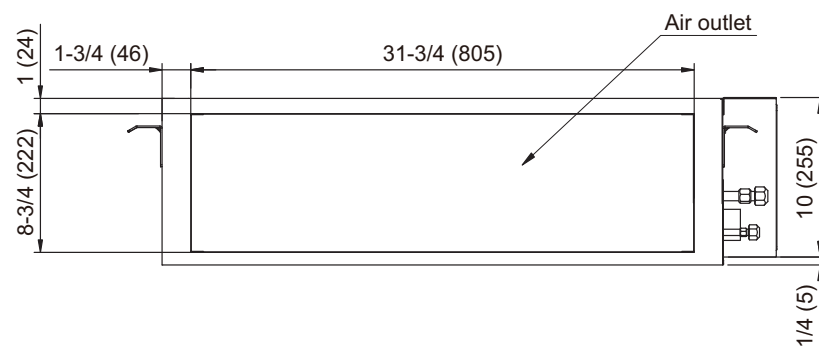
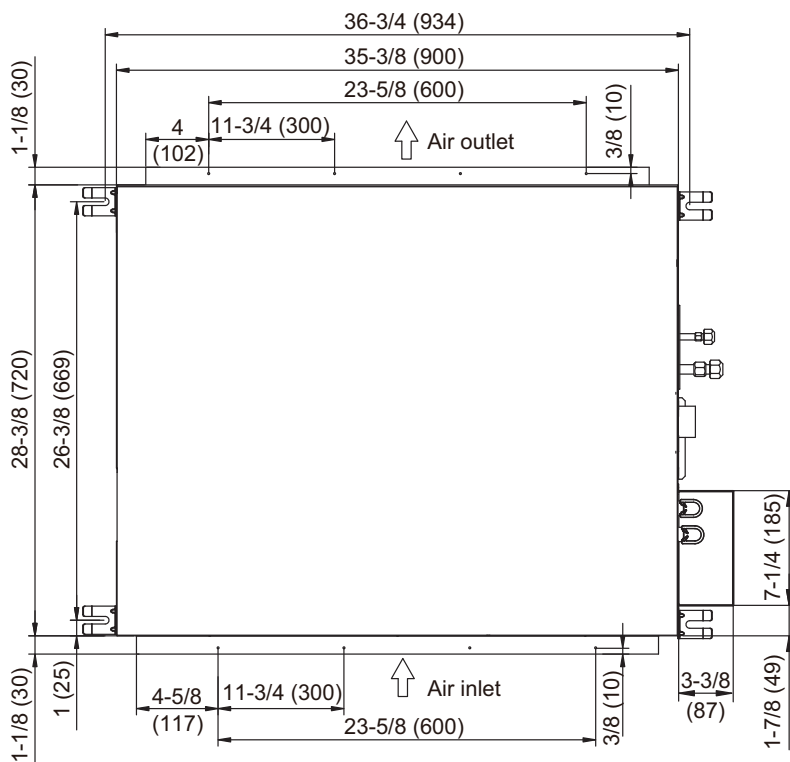
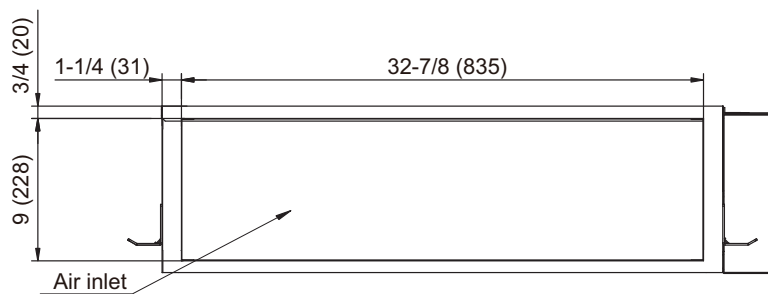
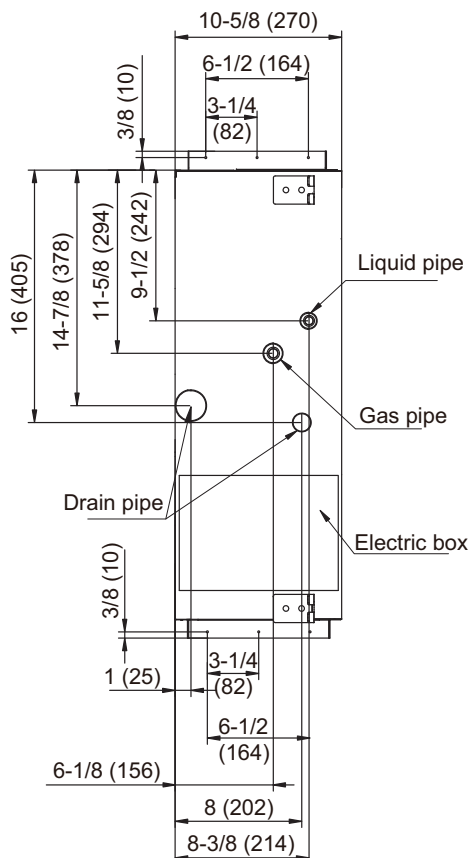
Unit: in (mm)



Top view

Model: WHU24DHA21S

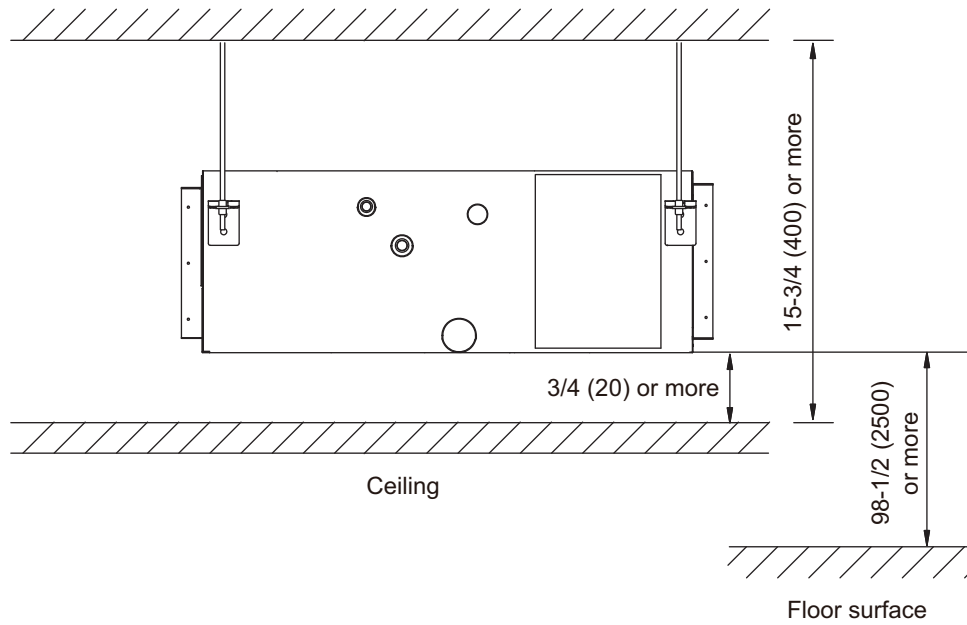
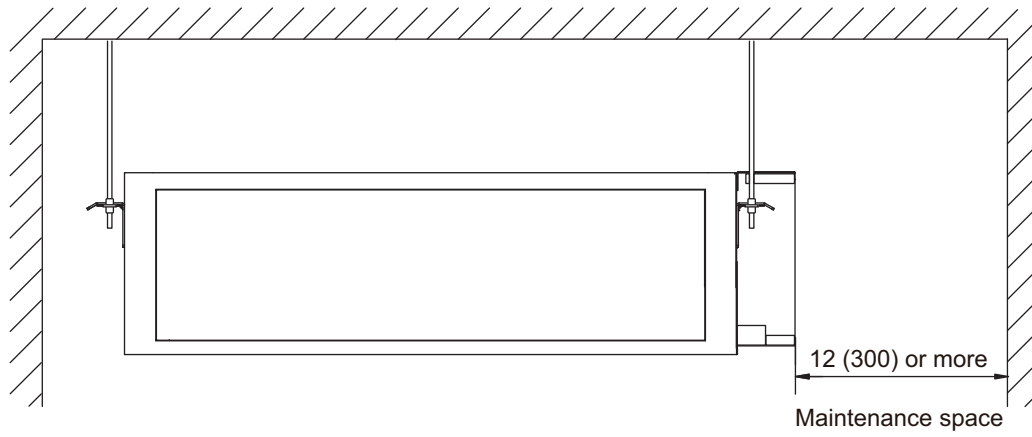
Unit: in (mm)



■ Installation space requirement

Provide sufficient installation space for product safety.

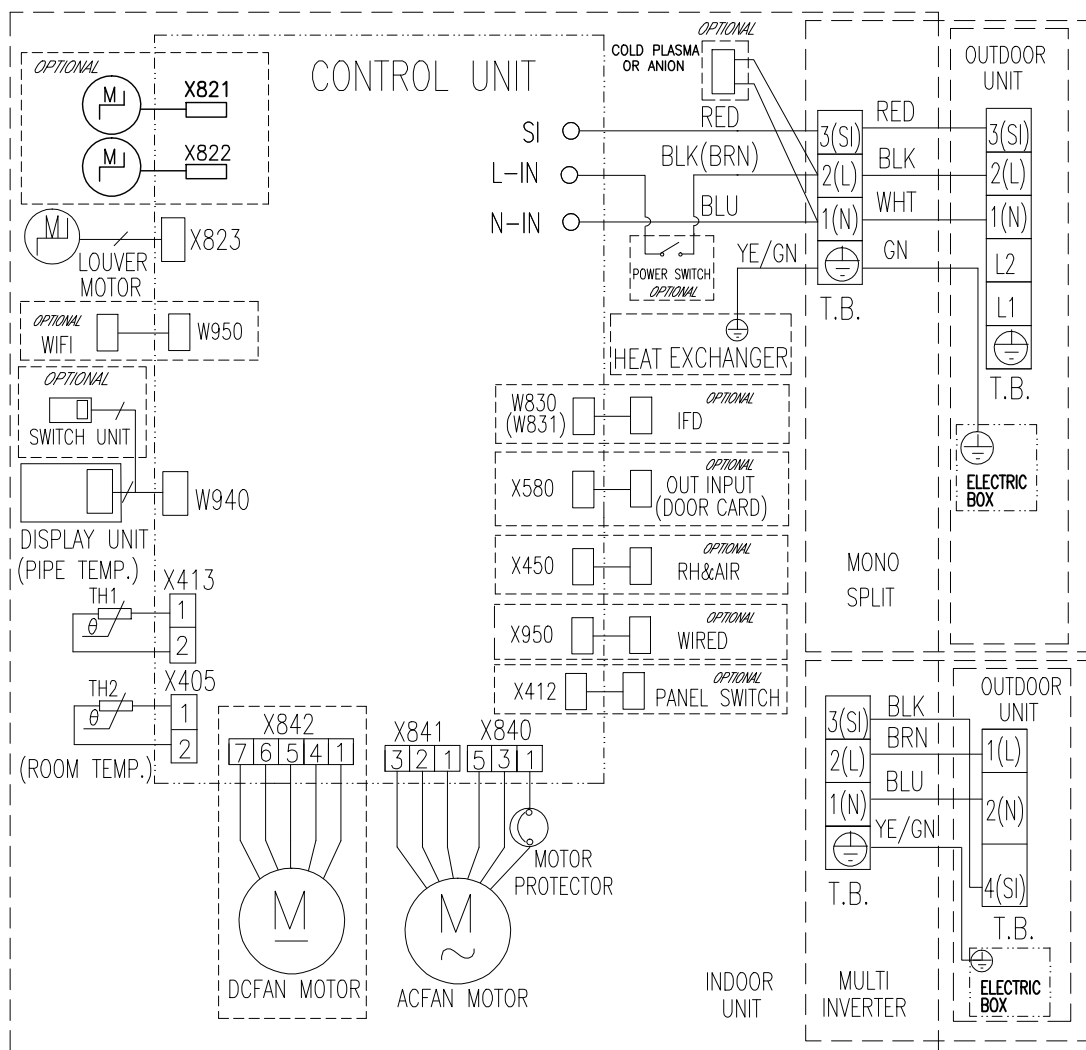
Unit: in (mm)



4. Wiring diagrams

4-1. Wall mounted type

■ Models: WHP07WMA21S, WHP09WMA21S, WHP12WMA21S, WHP18WMA21S, and WHP24WMA21S



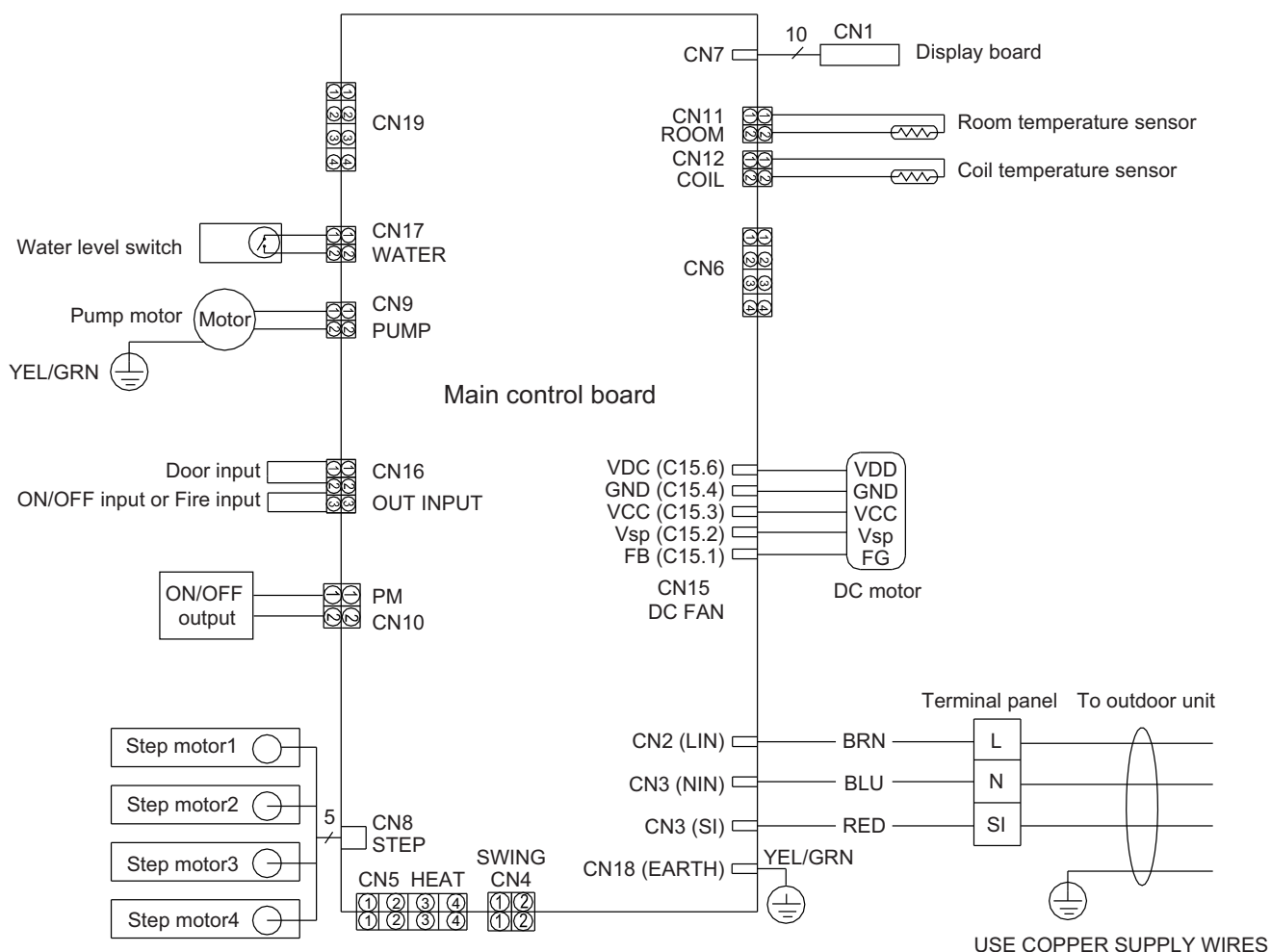
Temperature	0°C 32°F	20°C 68°F	30°C 86°F
Thermistor (Pipe temp.)	15 k Ω 1.3 V	6.5 k Ω 2.2 V	4.5 k Ω 2.7 V
Thermistor (Room temp.)	15 k Ω 1.3 V	6.5 k Ω 2.2 V	4.5 k Ω 2.7 V

Fan motor

Pin No.	Terminal code	Function of terminal	Lead wire color
1	Vm	Motor power voltage input	Red
2	—	—	—
3	—	—	—
4	GND	GND	Black
5	Vcc	Control power voltage input	White
6	FG	Revolution pulse output	Blue
7	Vsp	Speed control voltage input	Yellow

4-2. Cassette type

Models: WHU09CTA21S, WHU12CTA21S, WHU18CTA21S, and WHU24CTA21S



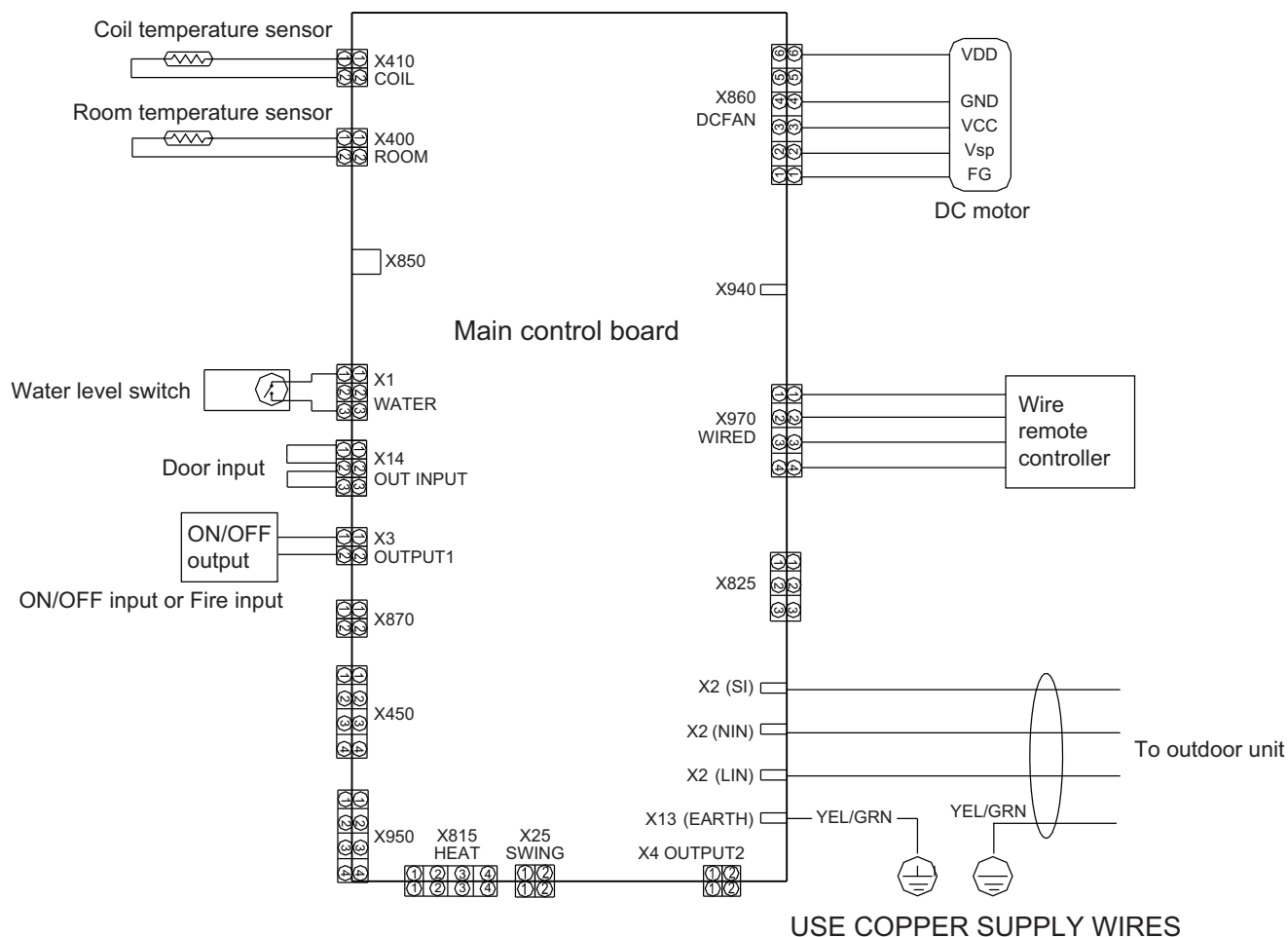
Temperature	0°C 32°F	20°C 68°F	30°C 86°F
Thermistor (Pipe temp.)	15 k Ω 1.3 V	6.5 k Ω 2.2 V	4.5 k Ω 2.7 V
Thermistor (Room temp.)	15 k Ω 1.3 V	6.5 k Ω 2.2 V	4.5 k Ω 2.7 V

Fan motor

Pin No.	Terminal code	Function of terminal	Lead wire color
1	Vm	Motor power voltage input	Red
2	—	—	—
3	—	—	—
4	GND	GND	Black
5	Vcc	Control power voltage input	White
6	Vsp	Speed control voltage input	Yellow
7	FG	Revolution pulse output	Blue

4-3. Duct type

Models: WHU09DHA21S, WHU12DHA21S, and WHU18DHA21S

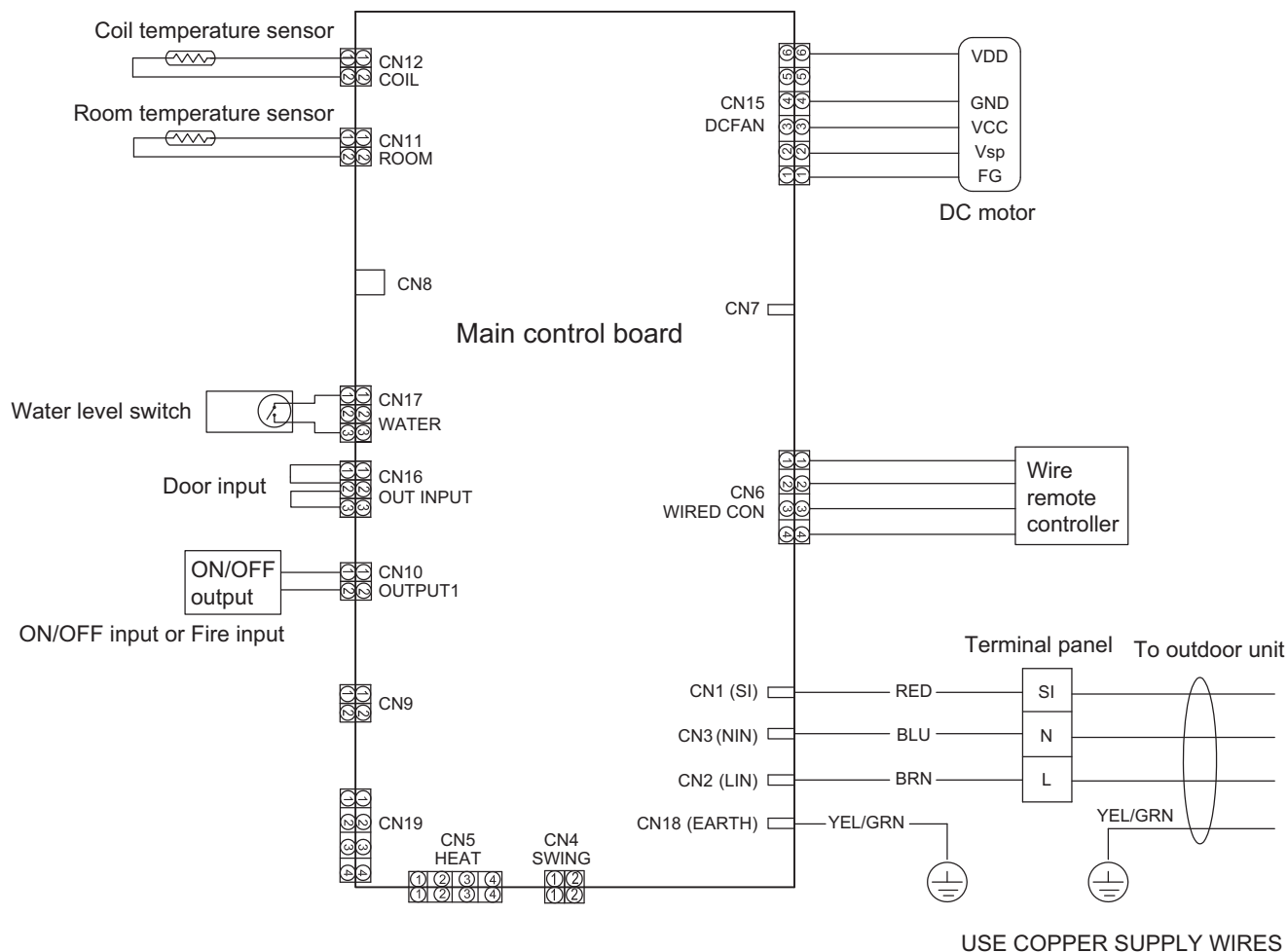


Temperature	0°C 32°F	20°C 68°F	30°C 86°F
Thermistor (Pipe temp.)	15 kΩ 1.3 V	6.5 kΩ 2.2 V	4.5 kΩ 2.7 V
Thermistor (Room temp.)	15 kΩ 1.3 V	6.5 kΩ 2.2 V	4.5 kΩ 2.7 V

Fan motor

Pin No.	Terminal code	Function of terminal	Lead wire color
1	Vm	Motor power voltage input	Red
2	—	—	—
3	—	—	—
4	GND	GND	Black
5	Vcc	Control power voltage input	White
6	Vsp	Speed control voltage input	Yellow
7	FG	Revolution pulse output	Blue

Model: WHU24DHA21S



Temperature	0°C 32°F	20°C 68°F	30°C 86°F
Thermistor (Pipe temp.)	15 kΩ 1.3 V	6.5 kΩ 2.2 V	4.5 kΩ 2.7 V
Thermistor (Room temp.)	15 kΩ 1.3 V	6.5 kΩ 2.2 V	4.5 kΩ 2.7 V

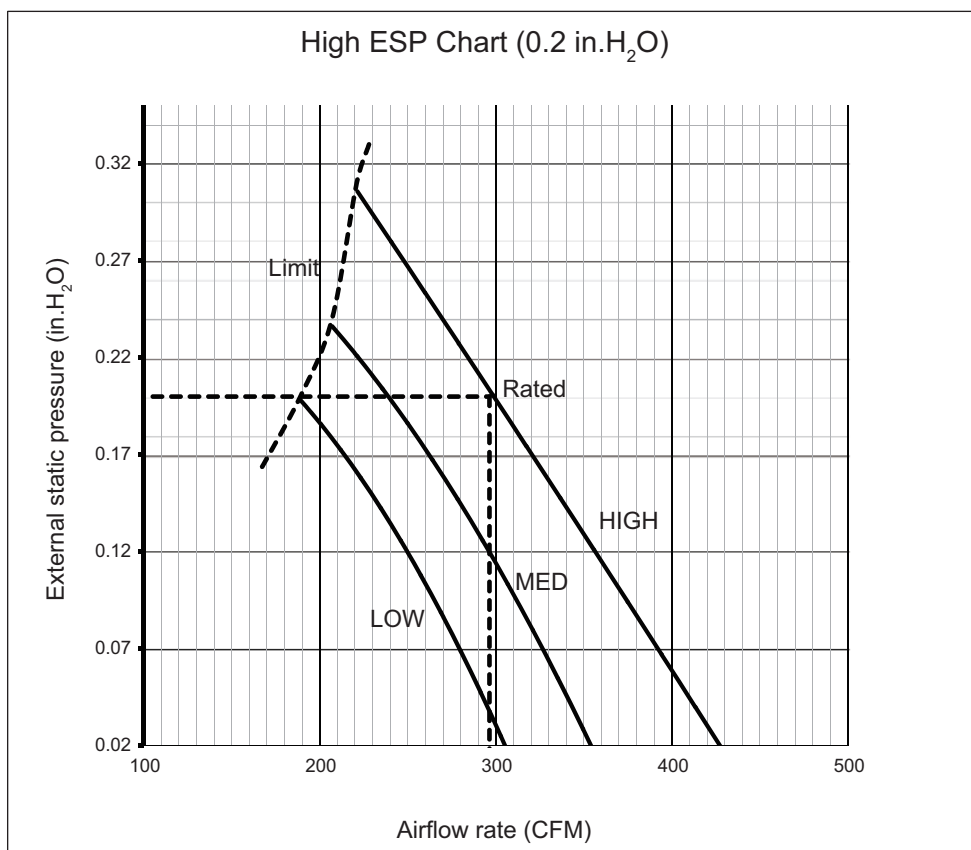
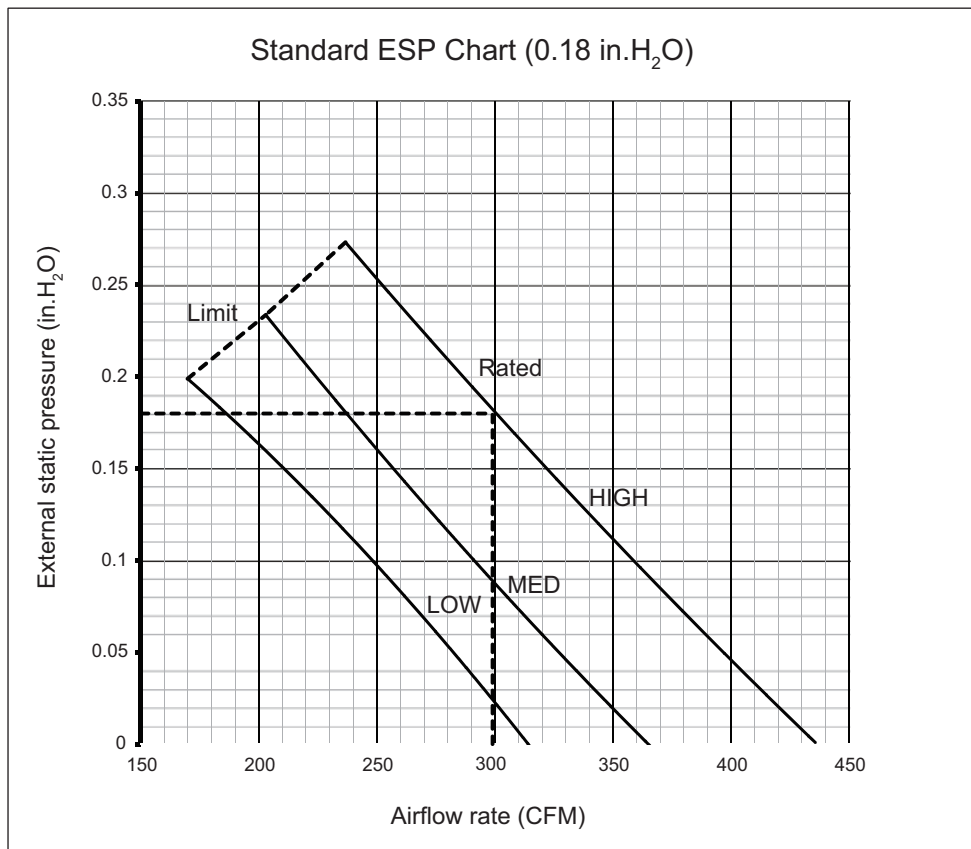
Fan motor

Pin No.	Terminal code	Function of terminal	Lead wire color
1	Vm	Motor power voltage input	Red
2	—	—	—
3	—	—	—
4	GND	GND	Black
5	Vcc	Control power voltage input	White
6	Vsp	Speed control voltage input	Yellow
7	FG	Revolution pulse output	Blue

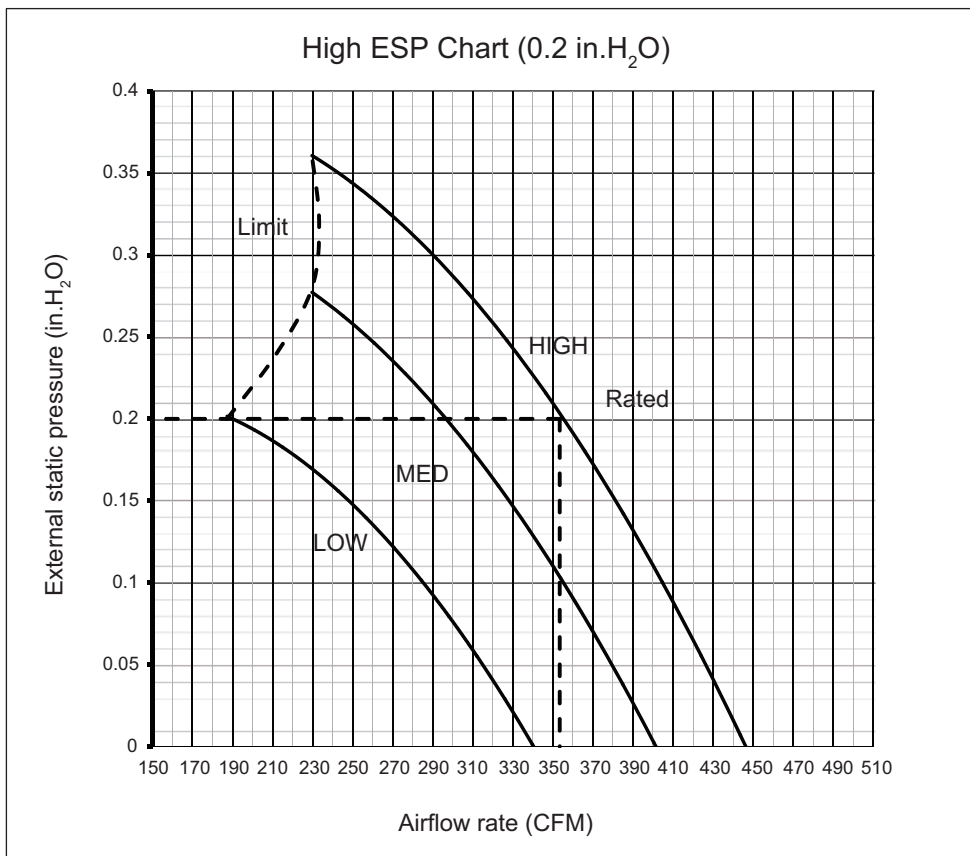
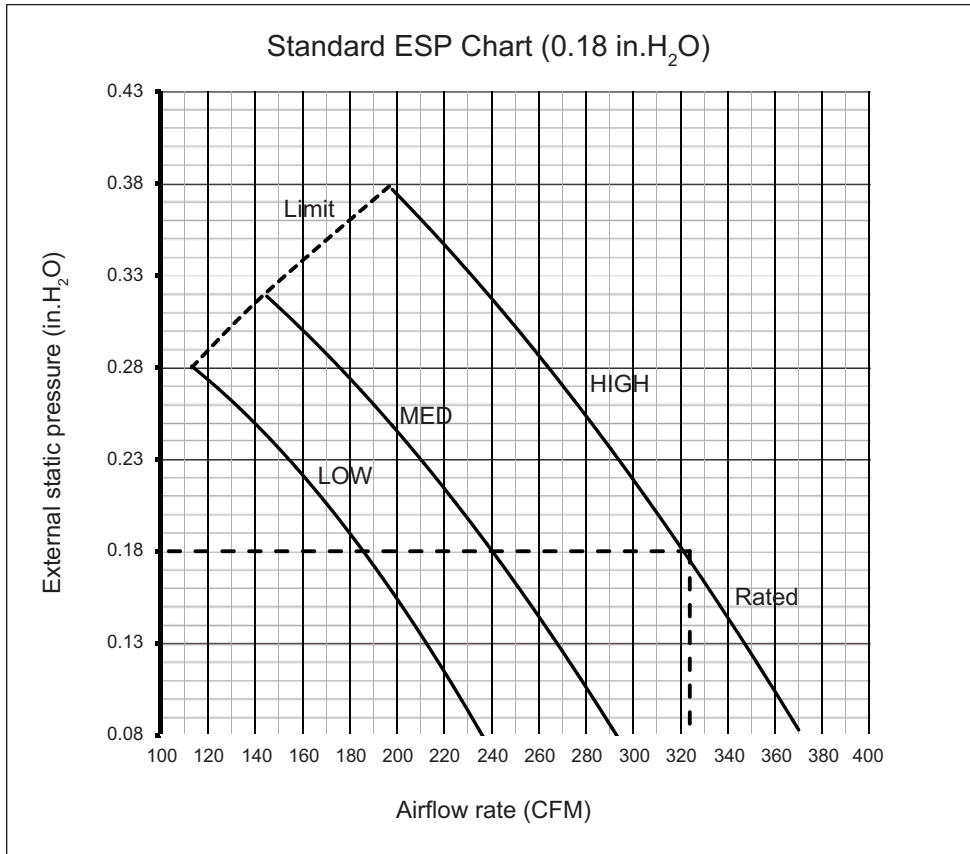
5. Fan performance

5-1. Fan performance curve

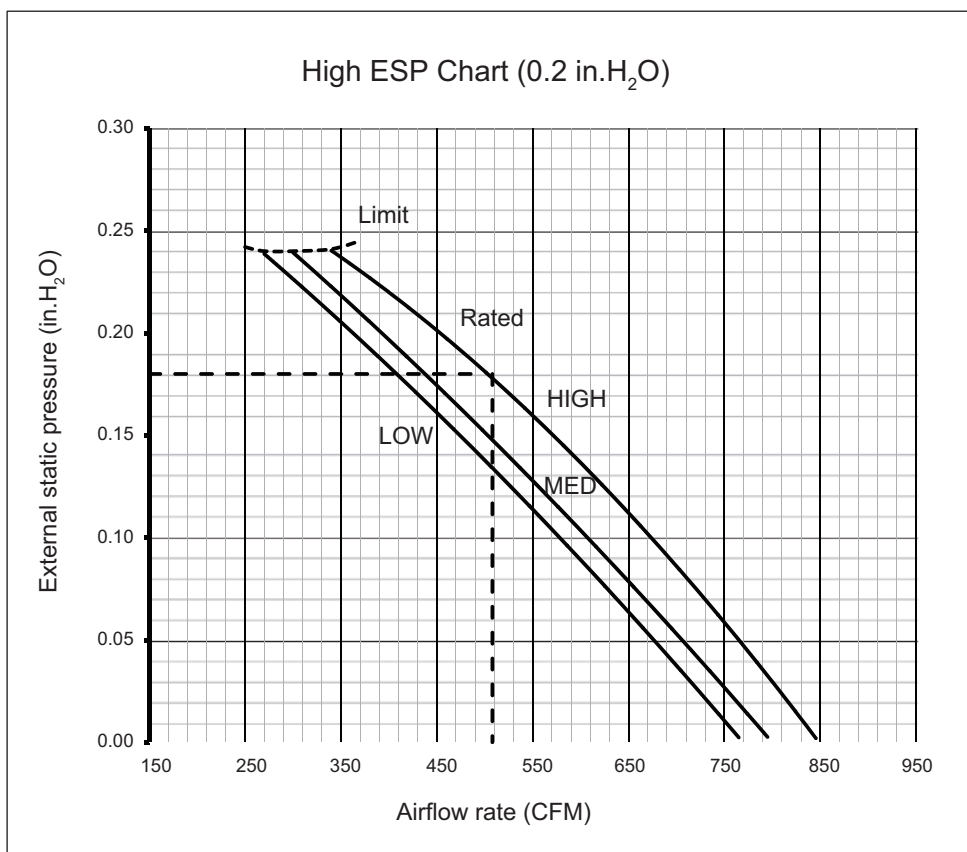
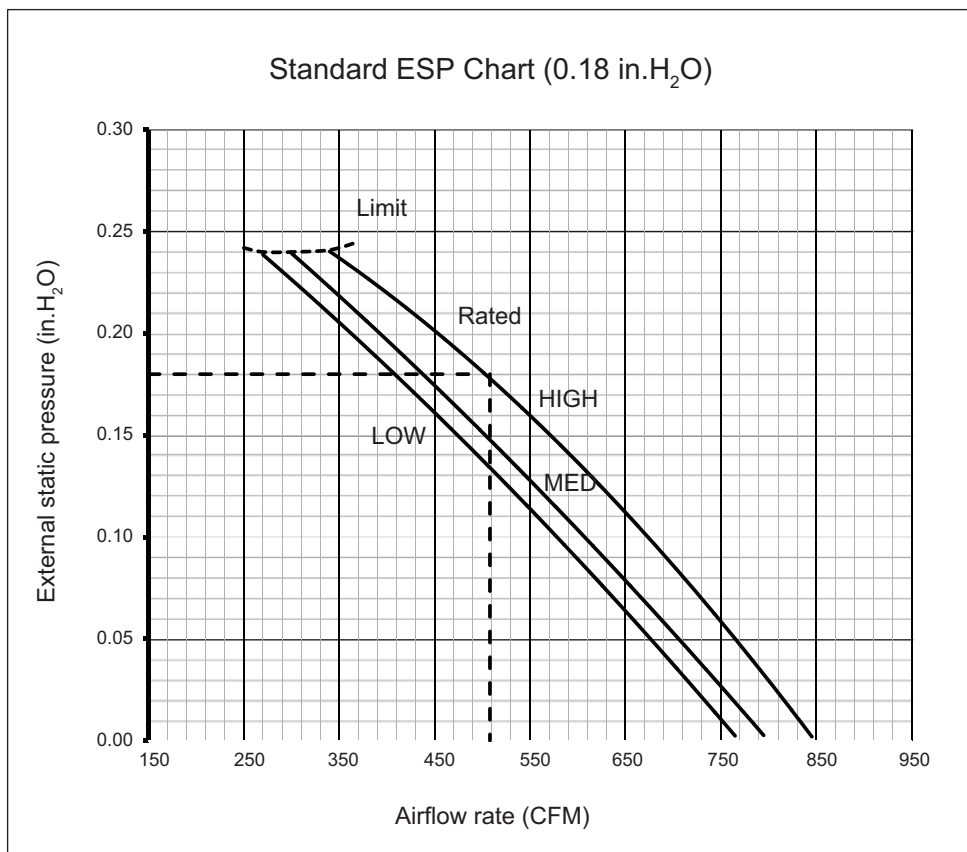
■ Model: WHU09DHA21S



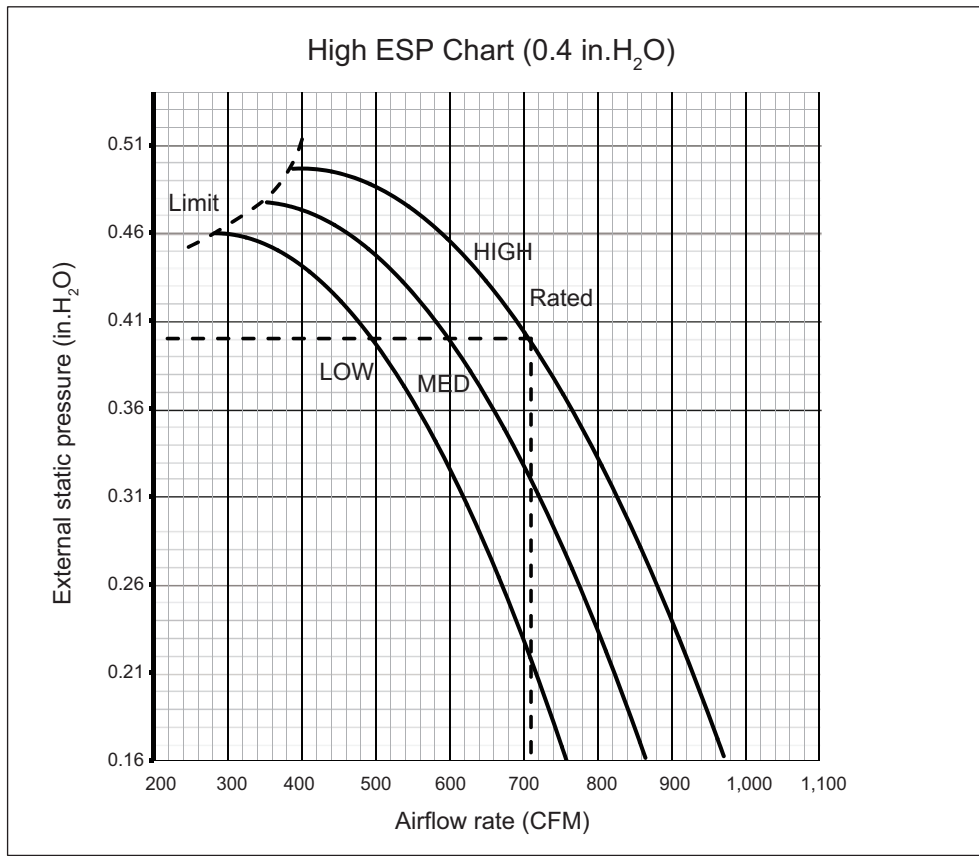
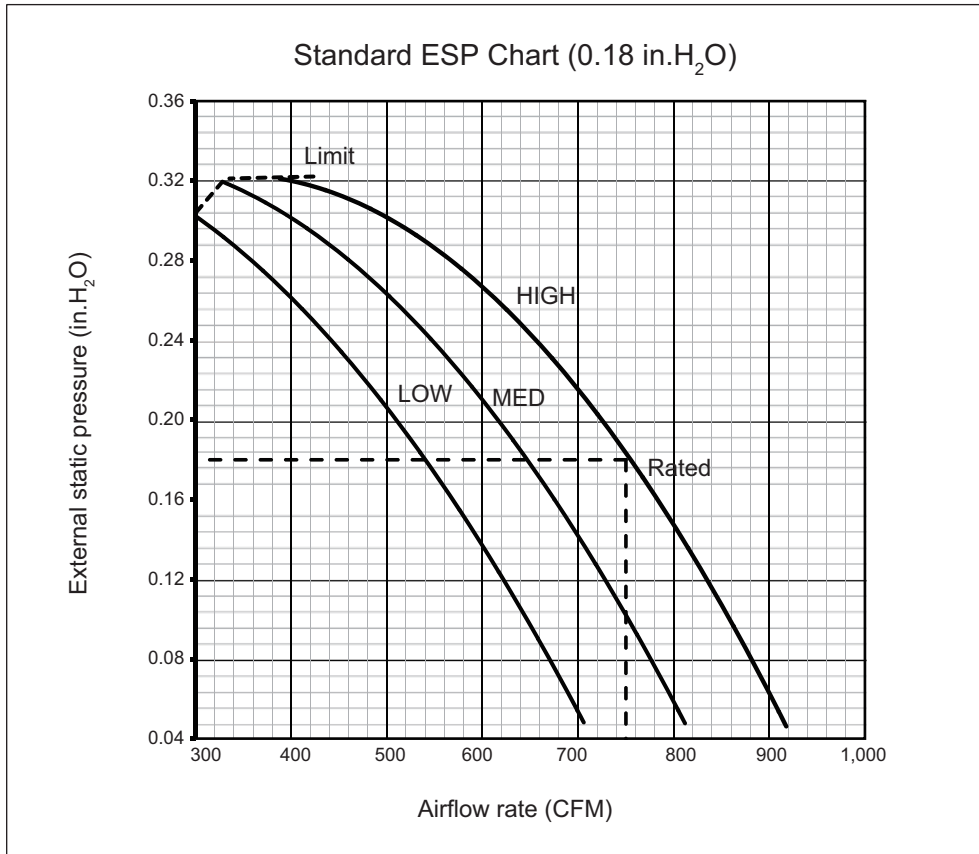
Model: WHU12DHA21S



Model: WHU18DHA21S



Model: WHU24DHA21S



5-2. Airflow

Conversion factor:

- $1 \text{ m}^3/\text{h} = 0.2778 \text{ l/s} = 0.5886 \text{ CFM}$
- $3.6 \text{ m}^3/\text{h} = 1 \text{ l/s}$
- $1.699 \text{ m}^3/\text{h} = 1 \text{ CFM}$

■ Model: WHU09DHA21S

● Cooling

Fan speed	Airflow	
HIGH	m^3/h	520
	l/s	144
	CFM	309
MED	m^3/h	435
	l/s	121
	CFM	259
LOW	m^3/h	350
	l/s	97
	CFM	208

● Heating

Fan speed	Airflow	
HIGH	m^3/h	520
	l/s	144
	CFM	309
MED	m^3/h	435
	l/s	121
	CFM	259
LOW	m^3/h	350
	l/s	97
	CFM	208

■ Model: WHU12DHA21S**● Cooling**

Fan speed	Airflow	
HIGH	m ³ /h	550
	l/s	153
	CFM	324
MED	m ³ /h	484
	l/s	134
	CFM	285
LOW	m ³ /h	400
	l/s	111
	CFM	235

● Heating

Fan speed	Airflow	
HIGH	m ³ /h	550
	l/s	153
	CFM	324
MED	m ³ /h	484
	l/s	134
	CFM	285
LOW	m ³ /h	400
	l/s	111
	CFM	235

Model: WHU18DHA21S**● Cooling**

Fan speed	Airflow	
HIGH	m ³ /h	900
	l/s	250
	CFM	529
MED	m ³ /h	750
	l/s	208
	CFM	441
LOW	m ³ /h	630
	l/s	175
	CFM	371

● Heating

Fan speed	Airflow	
HIGH	m ³ /h	900
	l/s	250
	CFM	529
MED	m ³ /h	750
	l/s	208
	CFM	441
LOW	m ³ /h	630
	l/s	175
	CFM	371

■ Model: WHU24DHA21S**● Cooling**

Fan speed	Airflow	
HIGH	m ³ /h	1,200
	l/s	333
	CFM	706
MED	m ³ /h	1,000
	l/s	278
	CFM	588
LOW	m ³ /h	850
	l/s	236
	CFM	500

● Heating

Fan speed	Airflow	
HIGH	m ³ /h	1,200
	l/s	333
	CFM	706
MED	m ³ /h	1,000
	l/s	278
	CFM	588
LOW	m ³ /h	850
	l/s	236
	CFM	500

6. Remote controller

6-1. Wireless remote controller

1 MODE

Press this button to select the operation mode.

3 SLEEP

Used to set or cancel Sleep Mode operation.

6 SUPER

Used to start or stop the fast cooling/heating. (Fast cooling operates at high fan speed with 16°C (61°F) set temp automatically ; Fast heating operates at auto fan speed with 30°C (86°F) set temp automatically)

8 ON TIMER

Used to set or cancel the timer operation.

9 QUIET

Used to set or cancel Quiet Mode operation.

11 OFF TIMER

Used to set or cancel the timer operation.

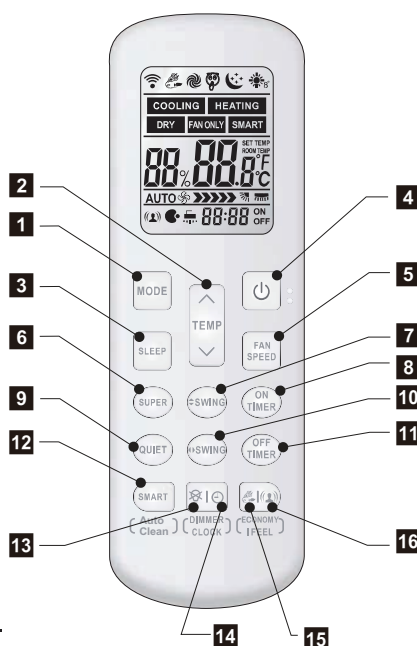
12 SMART (invalid for multi system)

Used to enter logic operation directly when the units is on.

Auto Clean (invalid for multi system) will be activated by pressing SMART button more than 5 seconds under Cooling or Dry mode and be canceled by pressing SMART, POWER or MODE button. (Icon " " will appear on LCD and disappear after around 30 minutes)

13 DIMMER

When you press this button, all the display of indoor unit will be closed. Press any button to resume display.



14 CLOCK

Used to set the current time.

15 ECONOMY

Used to set or cancel Economy Mode operation.

2 + 7 8°C HEAT (optional)

Used to start or stop 8°C HEAT mode.

2 TEMP

Used to adjust the room temperature and the timer, also real time.

4 POWER

The appliance will be started when it is energized or will be stopped when it is in operation, if you press this button.

5 FAN SPEED

Used to select fan speed in sequence auto, higher, high, medium, low and lower.

7 SWING

Used to stop or start vertical adjustment louver swinging and set the desired up/downairflow direction.

10 SWING

Used to stop or start Horizontal adjustment louver swinging and set the desired left/right airflow direction.

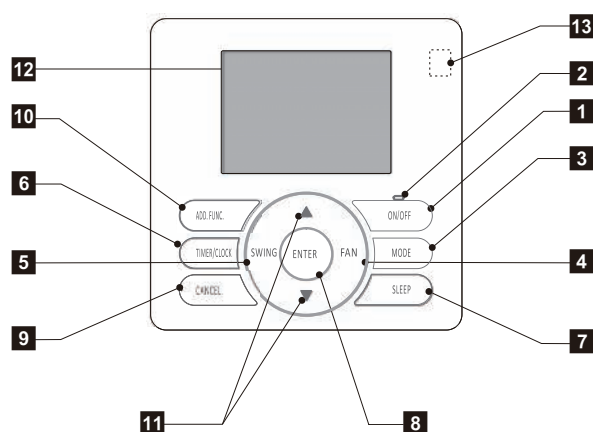
16 IFEEL

Press to set IFEEL Mode operation. In IFEEL mode, the Air Conditioner operates basis temperature sensor fitted in remote instead of machine. Advice to use IFEEL mode and the remote put where the indoor unit receive signal easily. Press this button above 5 seconds, start or stop IFEEL mode.

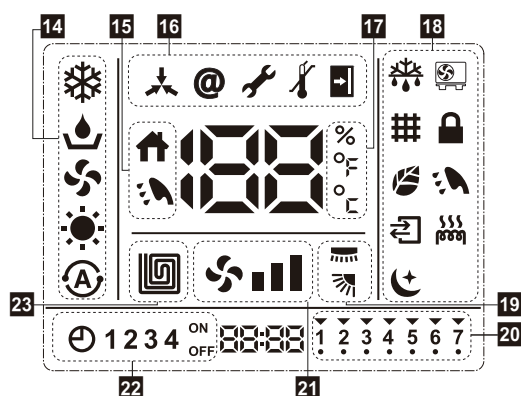
Indication symbols on LCD:

COOLING	Cooling indicator	DRY	Dry indicator	FAN ONLY	Fan only indicator	HEATING	Heating indicator	SMART	Smart indicator
Auto	Auto fan speed		Higher fan speed		High fan speed		Medium fan speed		Low fan speed
	Lower fan speed		Quiet indicator		Economy indicator		Super indicator		Sleep indicator
	IFEEL		Display temperature		Display set timer		Display current time		8°C Heat indicator

6-2. Wired remote controller



LCD screen



NOTE: Functions may differ by type of the indoor unit. For details, refer to the operation manual.

- 1 ON/OFF button**
Starts and stops operation.
- 2 Run indicator**
Indicates the appliance is on.
- 3 MODE button**
Switches operation mode (COOL, DRY, and HEAT).
- 4 FAN button**
Selects the fan speed in sequence HIGH, AUTO, LOW, MED, HIGH.
- 5 SWING button (invalid for some models)**
Stops/Starts adjustment louver swing and sets the airflow direction.
- 6 TIMER/CLOCK button**
Sets current time or set timer on/off.
- 7 SLEEP button**
Sets/cancels sleep mode operation.
- 8 ENTER button**
- 9 CANCEL button**
- 10 ADD.FUNC. button (invalid for some models)**
Sets filter clean, hot water, fresh air, electric heater, etc.
- 11 SET TEMP. (temperature) (∇ / Δ) button**
Sets desired temperature.
- 12 LCD screen**
- 13 Built-in infrared signal receiver**
- 14 Operation mode**
❄️: Cooling mode, 💧: Dry mode, 🌀: Fan only mode, ☀️: Heating mode, Ⓐ: Auto mode
- 15 Temperature mode**
🏠: Room temperature, 🌡️: Hot water temperature
- 16 Setting indicator**
👤: Central control, @: Address setting, 🛠️: Address setting, ⚠️: Error indicator, 🌡️: Temperature range limit, 🏠: Home leave control
- 17 Temperature indicator**
%: Relative moisture, °F: Fahrenheit, °C: Celsius
- 18 Status indicator**
❄️: Defrost, 🔄: Compressor run, 🧼: Filter clean, 🔒: Lock, 🌀: Air purge, 🌡️: Hot water, 🌬️: Ventilation, 🔥: Electric heater, 🌙: Sleep
- 19 Air direction indicator**
- 20 Day of week indicator**
- 21 Fan speed indicator**
- 22 Timer indicator**
- 23 Floor heater indicator**

7. Accessories

7-1. Wall mounted type

- **Models: WHP07WMA21S, WHP09WMA21S, WHP12WMA21S, WHP18WMA21S, and WHP24WMA21S**

Part name	Q'ty	Part name	Q'ty
Remote controller instructions	1	Drain joint rubber seal	1
Use and installation instructions	1	Flare nuts	4
Remote controller	1	Bag of wall anchors and screws	1
Remote controller holder	1	Screw for installations	5
AAA battery	2	Screw cover	07-12 model: 1 18/24 model: 3
Foam insulation	07-18 model: 1 24 model: 2	Warranty Card	1
Drain joint	1		

7-2. Cassette type

- **Models: WHU09CTA21S, WHU12CTA21S, WHU18CTA21S, and WHU24CTA21S**

Part name	Q'ty	Part name	Q'ty
Use and installation instructions	1	Built-in type drain pump	1
Dry battery	2	Wireless remote controller	1
Indoor installation accessory kit (For 18, 24 models)	1	Wireless remote controller operation manual	1
Union nut (Gas)	1	Wireless remote controller holder	1
Union nut (Liquid)	1	Warranty card	1

7-3. Duct type

- **Models: WHU09DHA21S, WHU12DHA21S, WHU18DHA21S, and WHU24DHA21S**

Part name	Q'ty	Part name	Q'ty
Use and installation instructions	1	Built-in type drain pump	1
Indoor installation accessory kit (clammer, plain washers) (For 18, 24 models)	1	Indoor installation accessory kit (sponge, fixing clip, water pipe parts)	1
Warranty card	1	Wired remote controller operation manual	1
Union nut (Gas)	1	Wired remote controller	1
Union nut (Liquid)	1		

Part 2. OUTDOOR UNIT

MULTI TYPE:

WHP18M2A21S

WHP24M3A21S

WHP36M4A21S

WHP42M5A21S

1. Specifications

OUTDOOR UNIT
WHP18-42M

OUTDOOR UNIT
WHP18-42M

Type			Inverter, Heat pump		
Model name			WHP18M2A21S	WHP24M3A21S	
Power supply			208/230 V ~ 60 Hz		
Available voltage range			198—253 V		
Connectable indoor unit	Number		2	2 to 3	
	Total capacity range		16,000 to 21,000 Btu/h	21,000 to 31,000 Btu/h	
Standard combination of indoor unit			WHP09WMA21S × 2	WHP12WMA21S × 2	
Capacity	Cooling	Rated	Btu/h	18,000	24,000
			kW	5.275	7.034
		Min.—Max.	Btu/h	7,500—24,000	8,000—30,200
			kW	2.20—7.03	2.35—8.85
	Heating	Rated	Btu/h	18,000	24,000
			kW	5.275	7.034
		Min.—Max.	Btu/h	5,800—28,700	5,200—37,000
			kW	1.70—8.41	1.52—10.84
	Heating (17°F)*1	Rated	kW	3.58	4.51
		Max.	Btu/h	12,200	15,400
	Heating (5°F)*2	Max.	kW	5.86	7.62
			Btu/h	20,000	26,000
Input power	Cooling	Rated	kW	1.44	1.92
		Min.—Max.		0.51—2.61	0.42—2.64
	Heating	Rated		1.53	1.92
		Min.—Max.		0.45—3.51	0.42—4.02
Current	Cooling	Rated	A	6.5	8.7
	Heating	Rated		6.9	8.7
EER2	Cooling	W/W		3.66	
		Btu/hW		12.5	
COP2	Heating	W/W		3.45	3.66
		Btu/hW		11.77	12.49
SEER2	Cooling	Btu/hW		21.0	22.0
HSPF2	Heating	Btu/hW		9.5	9.1
Fan	Airflow rate	CFM (m³/h)	1,854 (3,150)	2,354 (4,000)	
	Type × Qty		Propeller fan × 1		
	Motor output	W	73	121	
Sound pressure level *3		dB (A)	55	59	
Heat exchanger type	Dimensions (H × W × D)	in (mm)	35-7/16 × 24-13/16 × 11/16 (900 × 630 × 18.19)	38-3/16 × 31-7/16 × 11/16 (970 × 798 × 18.19)	
			35-7/16 × 24-13/16 × 11/16 (900 × 630 × 18.19)	38-3/16 × 31-7/16 × 11/16 (970 × 798 × 18.19)	
	Fin pitch	FPI	18		
	Rows × Stages		2 × 30	2 × 38	
	Pipe type		Copper		
	Fin type	Type (Material)	Aluminum		
		Surface treatment	Blue fin		
Compressor	Type		Rotary		
Refrigerant	Type		R410A		
	Charge	lb oz	3 lb 15 oz	5 lb 1 oz	
		g	1,800	2,300	
Refrigerant oil	Type		VG74 (POE)		
Enclosure	Material		Steel sheet		
	Color		White		
Dimensions (H × W × D)	Net	in (mm)	26-3/8 × 33-7/8 × 12-3/16 (670 × 860 × 310)	33-1/16 × 37-3/8 × 13-3/8 (840 × 950 × 340)	
	Gross		28-3/4 × 39 × 17-11/16 (730 × 990 × 450)	36-1/4 × 43-11/16 × 18-1/8 (920 × 1,110 × 460)	
Weight	Net	lb (kg)	117 (53)	159 (72)	
	Gross		126 (57)	170 (77)	
Connection pipe	Size	Liquid	Ø1/4 (Ø6.35)		
		Gas	Ø3/8 (Ø9.52)		
	Method			Flare	
		Pre-charge length	Total	49 (15)	73 (22.5)
	Max. length	Total	164 (50)	196 (60)	
		Each	82 (25)	65 (20)	
Max. height difference		Indoor unit higher than outdoor unit: 49 (15) Outdoor unit higher than indoor unit: 49 (15)			
Operation range	Cooling	°F (°C)	14 to 115 (-10 to 46)		
	Heating		-13 to 75 (-25 to 24)		

NOTES:

- Specifications are based on the following conditions:
 - Cooling: Indoor temperature of 80°FDB (26.67°CDB) /67°FWB (19.44°CWB), and outdoor temperature of 95°FDB (35°CDB) / 75°FWB (23.9°CWB).
 - Heating: Indoor temperature of 70°FDB (21.11°CDB) /59°FWB (15.56°CWB), and outdoor temperature of 47°FDB (8.33°CDB) /43°FWB (6.11°CWB).
 - *1: Heating (17°F): Indoor temperature of 70°FDB (21.11°CDB) /60°FWB (15.56°CWB), and outdoor temperature of 17°FDB (-8.33°CDB) /15°FWB (-9.44°CWB).
 - *2: Heating (5°F): Indoor temperature of 70°FDB (21.11°CDB) /60°FWB (15.56°CWB), and outdoor temperature of 5°FDB (-15.0°CDB) /4°FWB (-15.56°CWB).
 - Test conditions are based on AHRI 210/240 2023.
 - Pipe length: 25 ft (7.5 m), Height difference: 0 ft (0 m). (Between outdoor unit and indoor unit.)
- Protective function might work when using it outside the operation range.
- *3: Sound pressure level:
 - Measured values in manufacturer's anechoic chamber.
 - Because of the surrounding sound environment, the sound levels measured in actual installation conditions might be higher than the specified values here.

M condition				WHP18M2A21S	WHP24M3A21S
Model name				WHP18M2A21S	WHP24M3A21S
Capacity	Cooling	Rated	Btu/h	18,000	24,000
			kW	5.275	7.034
		Min.—Max.	Btu/h	7,500—24,000	8,000—30,200
			kW	2.20—7.03	2.35—8.85
	Heating	Rated	Btu/h	18,000	24,000
			kW	5.275	7.034
		Min.—Max.	Btu/h	5,800—28,700	5,200—37,000
			kW	1.70—8.41	1.52—10.84
	Heating (17°F)*	Rated	Btu/h	12,200	15,400
			kW	5.86	7.62
		Max.	Btu/h	20,000	26,000
			kW	5.86	7.62
Input power	Cooling	Rated	kW	1.44	1.92
				Min.—Max.	0.51—2.61
	Heating	Rated		1.53	1.92
				Min.—Max.	0.45—3.51
Current	Cooling	Rated	A	6.5	8.7
	Heating	Rated	A	6.9	8.7
EER	Cooling	W/W		3.66	
		Btu/hW		12.50	
COP	Heating	W/W	3.45		3.66
		Btu/hW	11.76		12.50
SEER	Cooling	Btu/hW		22.0	
HSPF	Heating	Btu/hW		11.0	

NOTES:

Specifications are based on the following conditions:

- Cooling: Indoor temperature of 80°FDB (26.67°CDB)/67°FWB (19.44°CWB), and outdoor temperature of 95°FDB (35°CDB)/75°FWB (23.9°CWB).
- Heating: Indoor temperature of 70°FDB (21.11°CDB)/59°FWB (15.56°CWB), and outdoor temperature of 47°FDB (8.33°CDB)/43°FWB (6.11°CWB).
- *: Heating (17°F): Indoor temperature of 70°FDB (21.11°CDB)/60°FWB (15.56°CWB), and outdoor temperature of 17°FDB (-8.33°CDB)/15°FWB (-9.44°CWB).
- Test conditions are based on AHRI 210/240 2017.
- Pipe length: 25 ft (7.5 m), Height difference: 0 ft (0 m). (Between outdoor unit and indoor unit.)

Type				Inverter, Heat pump			
Model name				WHP36M4A21S	WHP42M5A21S		
Power supply				208/230 V ~ 60 Hz			
Available voltage range				198—253 V			
Connectable indoor unit	Number		2 to 4		3 to 5		
	Total capacity range		30,000 to 46,000 Btu/h		34,000 to 54,000 Btu/h		
Standard combination of indoor unit				WHP09WMA21S × 4	WHP07WMA21S × 1 WHP09WMA21S × 4		
Capacity	Cooling	Rated	Btu/h	32,000	42,000		
			kW	9.379	12.309		
		Min.—Max.	Btu/h	12,000—42,000	9,000—50,000		
			kW	3.52—12.31	2.637—14.654		
	Heating	Rated	Btu/h	36,000	42,000		
			kW	10.551	12.309		
		Min.—Max.	Btu/h	8,000—52,000	9,000—52,000		
			kW	2.35—15.24	2.637—15.240		
	Heating (17°F)*1	Rated.	kW	6.68	7.03		
			Btu/h	22,800	24,000		
		Max.	kW	11.72			
			Btu/h	40,000			
Heating (5°F)*2	Max.	kW	10.55				
		Btu/h	36,000				
Input power	Cooling	Rated	kW		2.55	4.02	
			Min.—Max.	0.69—5.01		0.66—5.55	
	Heating	Rated	kW		3.12	3.87	
			Min.—Max.	0.60—6.00		0.54—6.45	
Current	Cooling	Rated	A		11.0	17.5	
	Heating	Rated	A		13.0	17.0	
EER2	Cooling	W/W		3.66	3.08		
		Btu/hW		12.5	10.5		
COP2	Heating	W/W		3.37	3.17		
		Btu/hW		11.50	10.82		
SEER2	Cooling	Btu/hW		21.0	20.0		
HSPF2	Heating	Btu/hW		9.0	8.1		
Fan	Airflow rate		CFM (m ³ /h)		3,413 (5,800)		
	Type × Q'ty				Propeller fan × 1		
	Motor output		W		138		
Sound pressure level *3			dB (A)		59		
Heat exchanger type	Dimensions (H × W × D)	in (mm)		39-11/16 × 38-3/16 × 11/16 (1,008 × 970 × 18.19)			
		in (mm)		39-11/16 × 38-3/16 × 11/16 (1,008 × 970 × 18.19)			
	Fin pitch		FPI		17		
	Rows × Stages				2 × 46		
	Pipe type				Copper		
	Fin type		Type (Material)		Aluminum		
		Surface treatment		Blue fin			
Compressor	Type				Rotary		
Refrigerant	Type				R410A		
	Charge	lb oz		6 lb 10 oz	7 lb 8 oz		
		g		3,000	3,400		
Refrigerant oil	Type				VG74 (POE)		
Enclosure	Material				Steel sheet		
	Color				White		
Dimensions (H × W × D)	Net		in (mm)		41-5/16 × 37-3/8 × 13-3/8 (1,050 × 950 × 340)		
	Gross		in (mm)		47-1/4 × 43-11/16 × 18-1/8 (1,200 × 1,110 × 460)		
Weight	Net		lb (kg)		188 (85.5)	198 (90)	
	Gross		lb (kg)		220 (100)	234 (106)	
Connection pipe	Size	Liquid		in (mm)		Ø1/4 (Ø6.35)	
		Gas		in (mm)		Ø3/8 (Ø9.52)	
	Method				Flare		
	Pre-charge length	Total		ft (m)		98 (30)	123 (37.5)
		Each		ft (m)		246 (75)	262 (80)
	Max. length	Total		ft (m)		65 (20)	
		Each		ft (m)		65 (20)	
	Max. height difference				Indoor unit higher than outdoor unit: 49 (15) Outdoor unit higher than indoor unit: 49 (15)		
Operation range	Cooling	°F (°C)		14 to 115 (-10 to 46)			
	Heating	°F (°C)		-13 to 75 (-25 to 24)	-4 to 75 (-20 to 24)		

NOTES:

- Specifications are based on the following conditions:
 - Cooling: Indoor temperature of 80°FDB (26.67°CDB) /67°FWB (19.44°CWB), and outdoor temperature of 95°FDB (35°CDB) / 75°FWB (23.9°CWB).
 - Heating: Indoor temperature of 70°FDB (21.11°CDB) /59°FWB (15.56°CWB), and outdoor temperature of 47°FDB (8.33°CDB) /43°FWB (6.11°CWB).
 - *1: Heating (17°F): Indoor temperature of 70°FDB (21.11°CDB) /60°FWB (15.56°CWB), and outdoor temperature of 17°FDB (-8.33°CDB) /15°FWB (-9.44°CWB).
 - *2: Heating (5°F): Indoor temperature of 70°FDB (21.11°CDB) /60°FWB (15.56°CWB), and outdoor temperature of 5°FDB (-15.0°CDB) /4°FWB (-15.56°CWB).
 - Test conditions are based on AHRI 210/240 2023.
 - Pipe length: 25 ft (7.5 m), Height difference: 0 ft (0 m). (Between outdoor unit and indoor unit.)
- Protective function might work when using it outside the operation range.
- *3: Sound pressure level:
 - Measured values in manufacturer's anechoic chamber.
 - Because of the surrounding sound environment, the sound levels measured in actual installation conditions might be higher than the specified values here.

M condition							
Model name			WHP36M4A21S		WHP42M5A21S		
Capacity	Cooling	Rated	Btu/h	32,000	42,000		
			kW	9.379	12.309		
		Min.—Max.	Btu/h	12,000—42,000	9,000—50,000		
			kW	3.52—12.31	2.637—14.654		
		Heating	Rated	Btu/h	36,000	42,000	
				kW	10.551	12.309	
	Min.—Max.		Btu/h	8,000—52,000	9,000—52,000		
			kW	2.35—15.24	2.637—15.240		
	Heating (17°F)*	Rated	Btu/h	12,200	15,400		
			kW	3.58	4.51		
		Max.	Btu/h	20,000	26,000		
			kW	5.86	7.62		
Input power	Cooling	Rated	kW	2.55	4.02		
				Min.—Max.	0.69—5.01	0.66—5.55	
		Heating		Rated	3.12	3.87	
	Min.—Max.			0.60—6.00	0.54—6.45		
	Current	Cooling		Rated	A	11.0	17.5
		Heating		Rated		13.0	17.0
EER	Cooling		W/W	3.68	3.06		
			Btu/hW	12.55	10.50		
COP	Heating		W/W	3.38	3.18		
			Btu/hW	11.54	10.85		
SEER	Cooling		Btu/hW	21.0	20.0		
HSPF	Heating		Btu/hW	11.0	10.0		

NOTES:

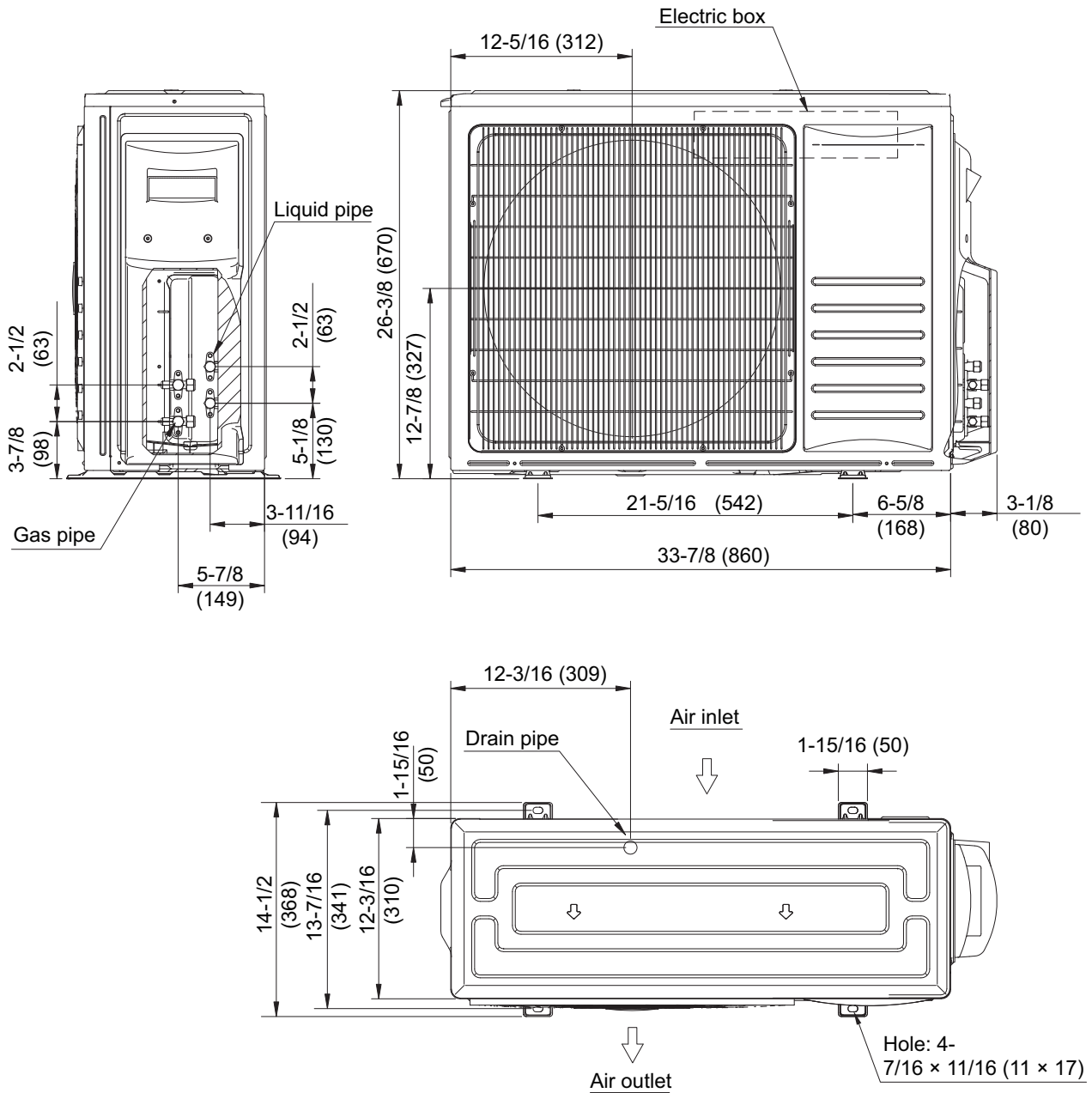
Specifications are based on the following conditions:

- Cooling: Indoor temperature of 80°FDB (26.67°CDB)/67°FWB (19.44°CWB), and outdoor temperature of 95°FDB (35°CDB)/75°FWB (23.9°CWB).
- Heating: Indoor temperature of 70°FDB (21.11°CDB)/59°FWB (15.56°CWB), and outdoor temperature of 47°FDB (8.33°CDB)/43°FWB (6.11°CWB).
- *: Heating (17°F): Indoor temperature of 70°FDB (21.11°CDB)/60°FWB (15.56°CWB), and outdoor temperature of 17°FDB (-8.33°CDB)/15°FWB (-9.44°CWB).
- Test conditions are based on AHRI 210/240 2017.
- Pipe length: 25 ft (7.5 m), Height difference: 0 ft (0 m). (Between outdoor unit and indoor unit.)

2. Dimensions

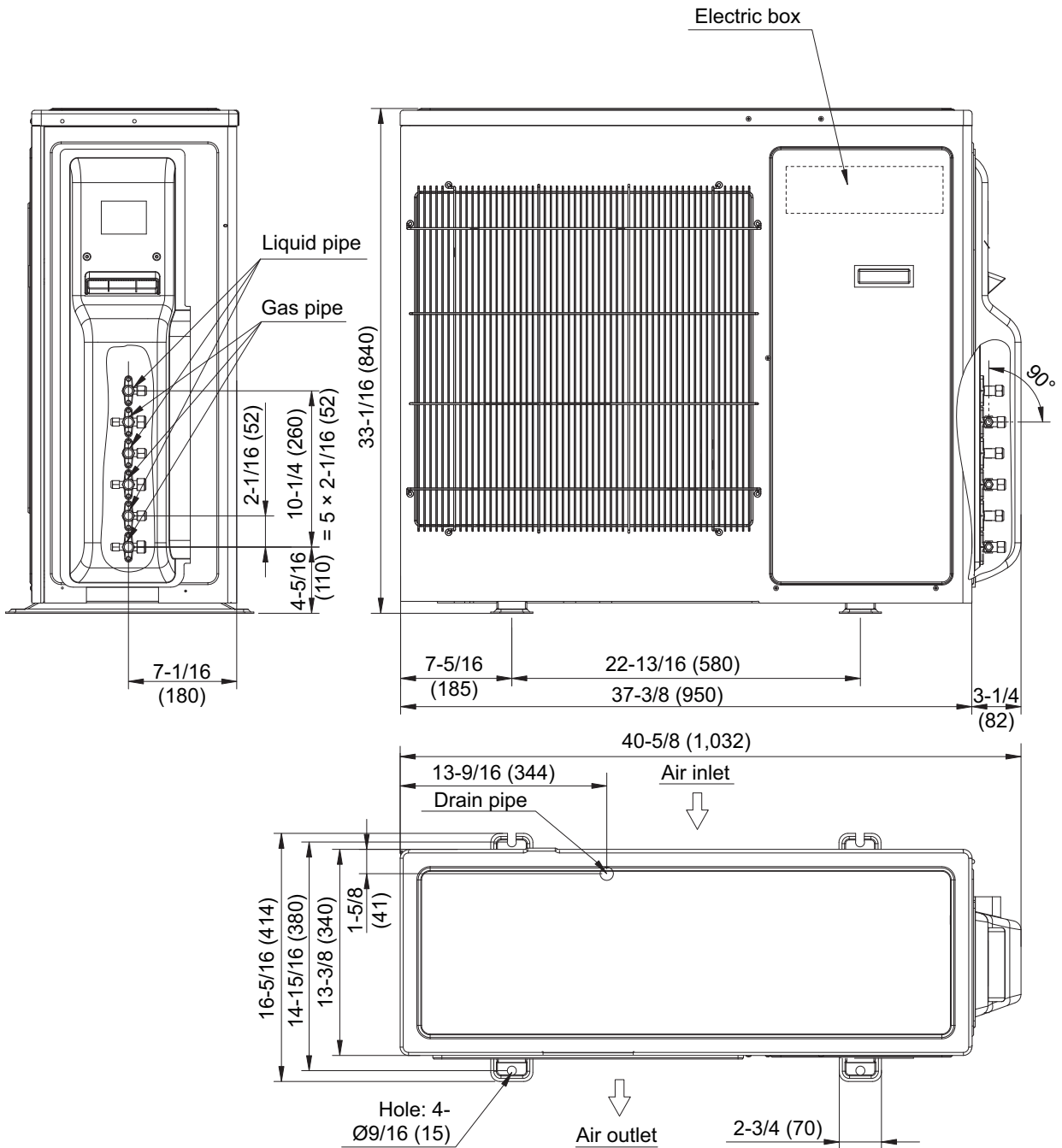
2-1. Model: WHP18M2A21S

Unit: in (mm)



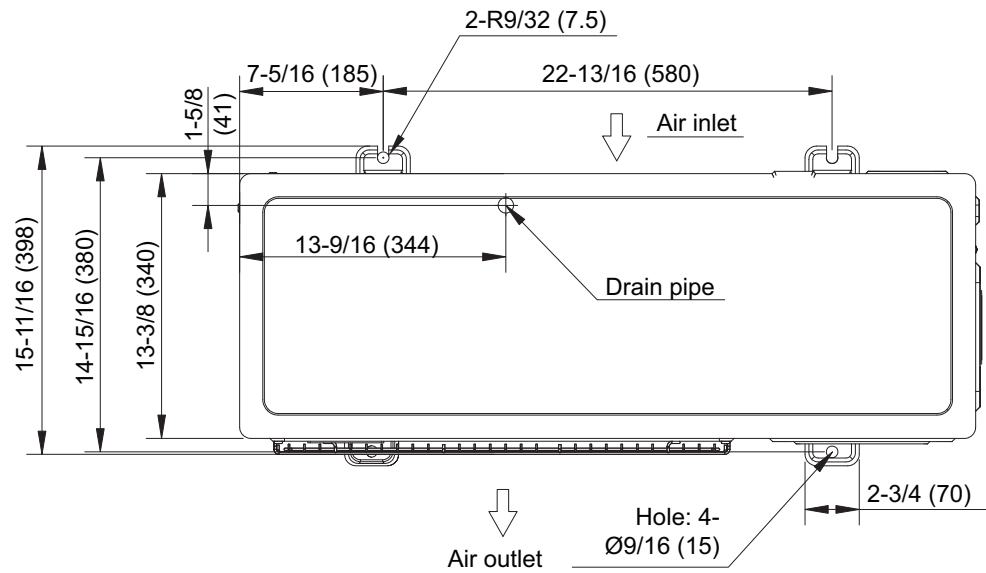
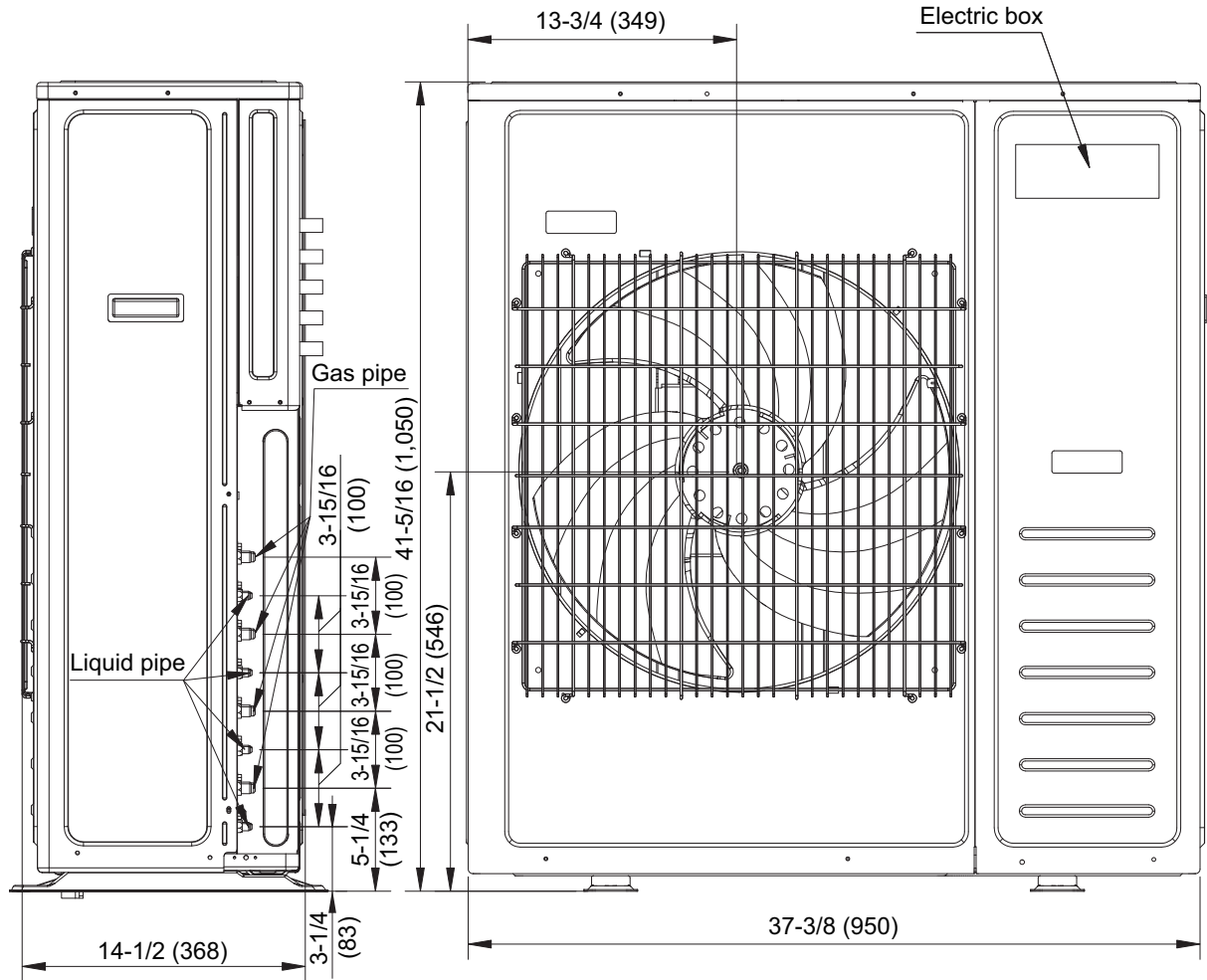
2-2. Model: WHP24M3A21S

Unit: in (mm)



2-3. Models: WHP36M4A21S and WHP42M5A21S

Unit: in (mm)



OUTDOOR UNIT
WHP18-42M

OUTDOOR UNIT
WHP18-42M

3. Installation space

3-1. Models: WHP18M2A21S, WHP24M3A21S, WHP36M4A21S, and WHP42M5A21S

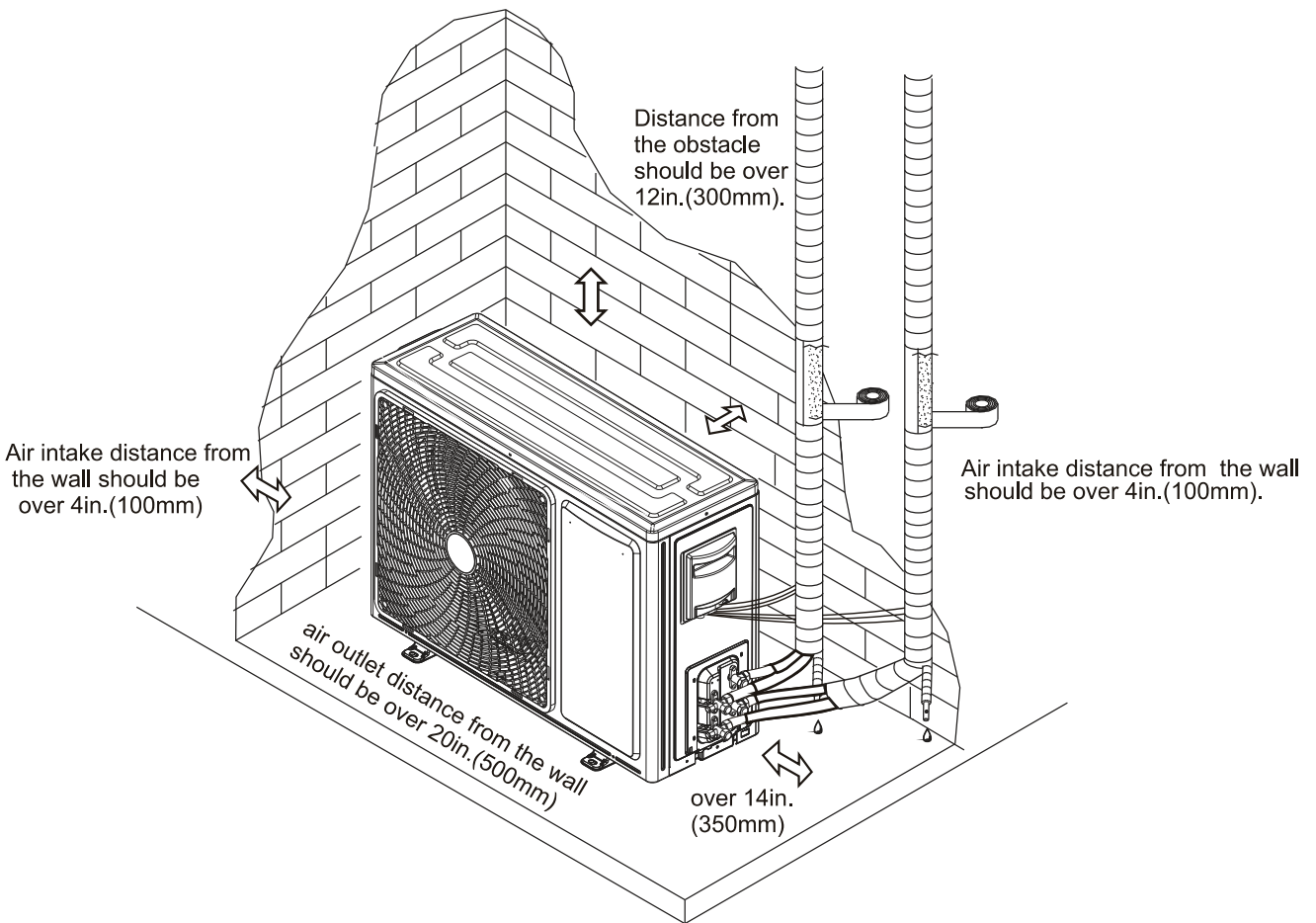
■ Space requirement

Provide sufficient installation space for product safety.

⚠ CAUTION

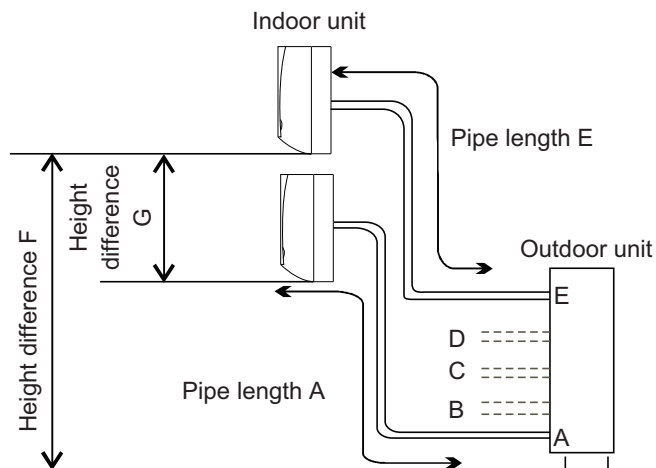
Keep the space shown in the installation examples.

If the installation is not performed accordingly, it could cause a short circuit and result in a lack of operating performance.



• **Refrigerant piping**

Refrigerant pipe should be as short as possible.



	Unit	18 model	24 model	36 model	42 model
Maximum length between indoor unit and outdoor unit (A/B/C/D/E)	ft (m)	≤ 82 (25)	≤ 65 (20)		
Total length of piping between all units		A + B ≤ 164 (50)	A + B + C ≤ 196 (60)	A + B + C + D ≤ 246 (75)	A + B + C + D + E ≤ 262 (80)
Maximum height difference between indoor unit and outdoor unit (F)		≤ 49 (15)			
Maximum height difference between indoor units (G)		≤ 24 (7.5)			

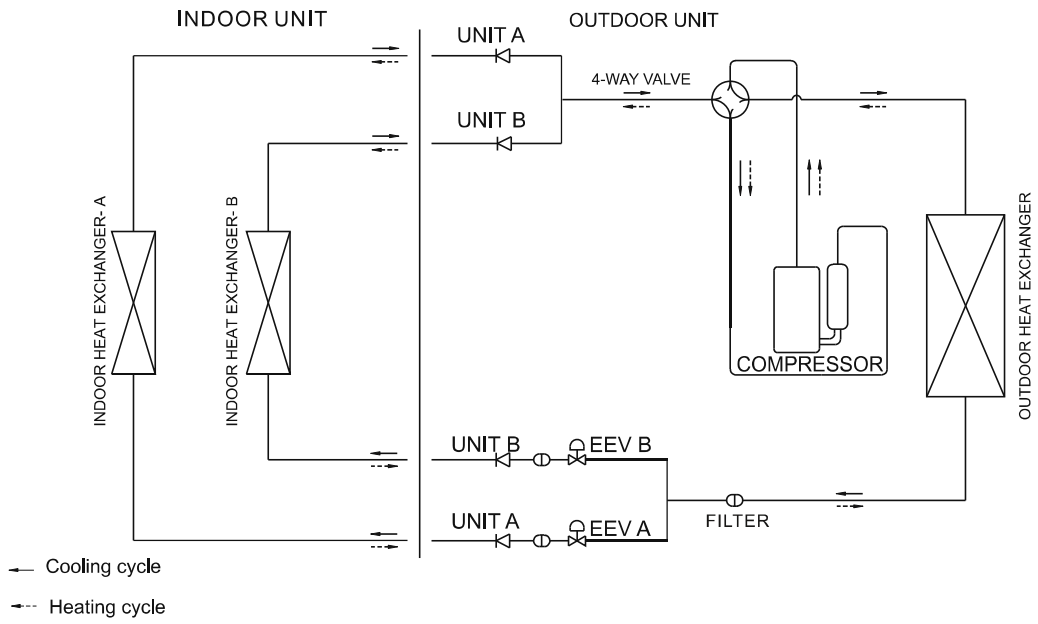
Additional refrigerant charge

When the total pipe length (L) exceeds standard length, additional refrigerant charge is required.

Model	Required amount of additional refrigerant
WHP18M2A21S	(L - 49 ft [15 m]) × 0.807 oz/ft (15 g/m)
WHP24M3A21S	(L - 73 ft [22.5 m]) × 0.807 oz/ft (15 g/m)
WHP36M4A21S	(L - 98 ft [30 m]) × 0.807 oz/ft (15 g/m)
WHP42M5A21S	(L - 123 ft [37.5 m]) × 0.807 oz/ft (15 g/m)

4. Refrigerant circuit

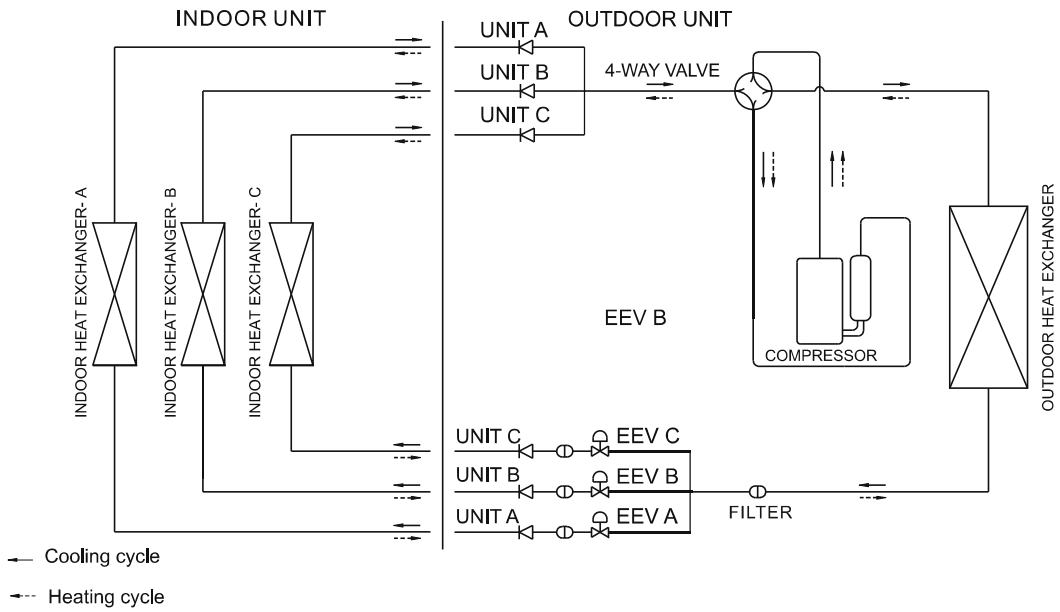
4-1. Model: WHP18M2A21S



OUTDOOR UNIT
WHP18-42M

OUTDOOR UNIT
WHP18-42M

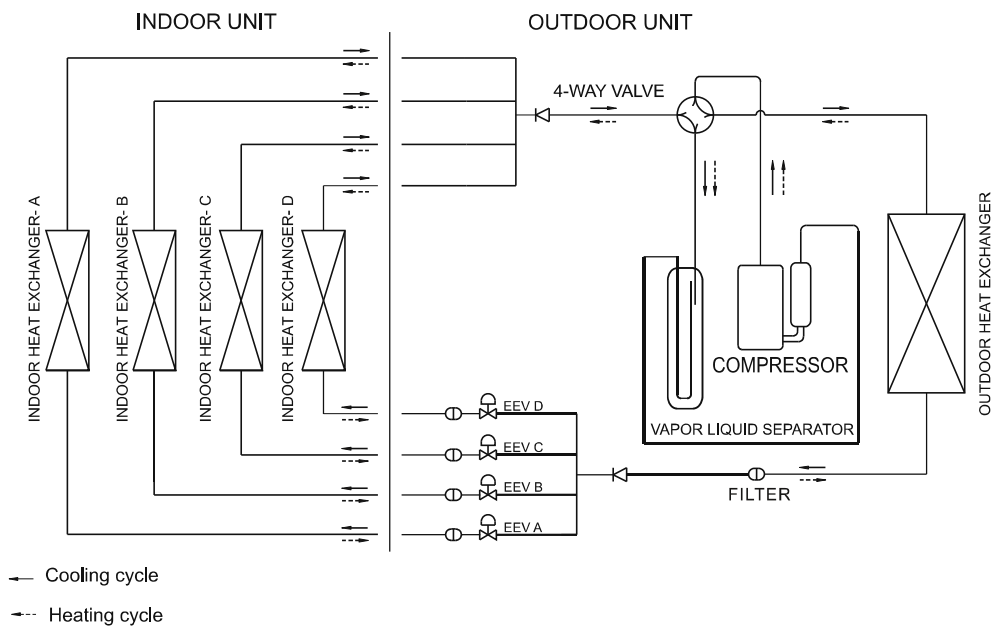
4-2. Model: WHP24M3A21S



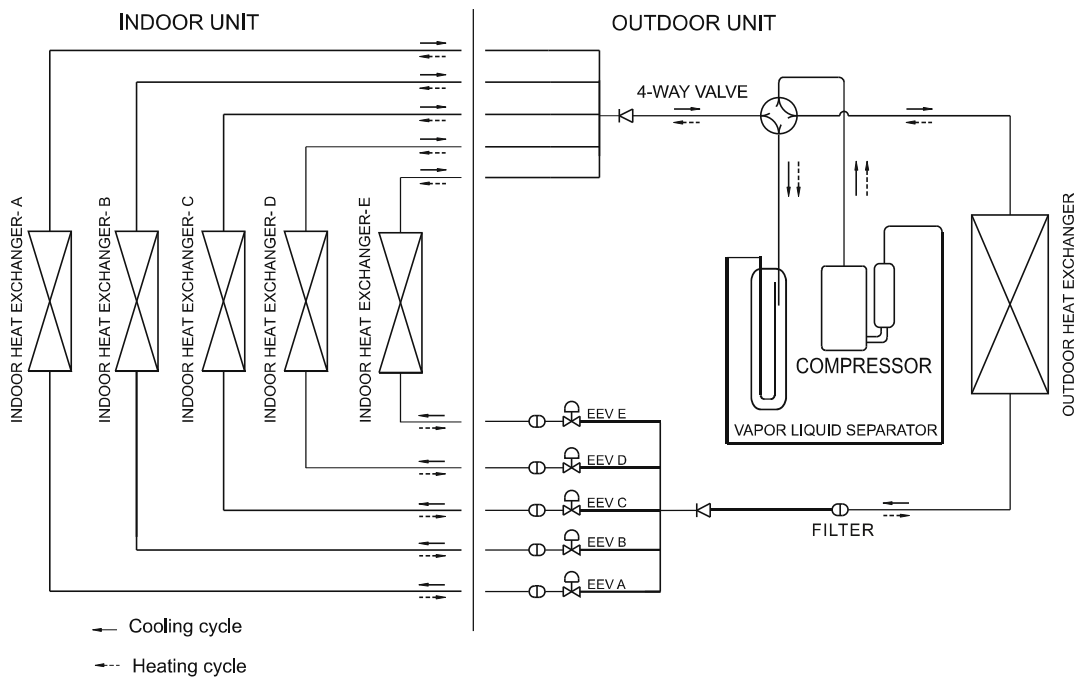
4-3. Model: WHP36M4A21S

OUTDOOR UNIT
WHP18-42M

OUTDOOR UNIT
WHP18-42M



4-4. Model: WHP42M5A21S

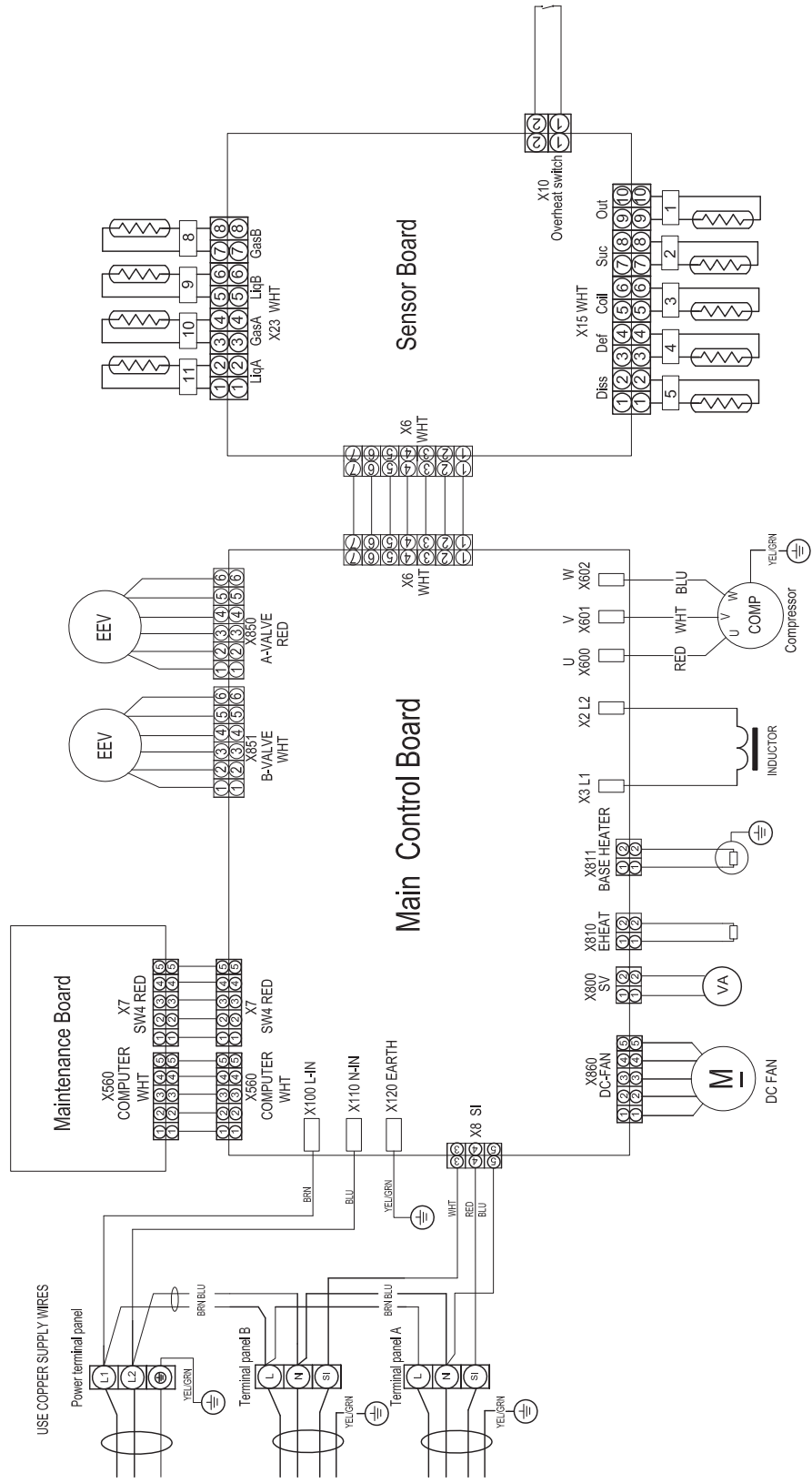


5. Wiring diagrams

5-1. Model: WHP18M2A21S

OUTDOOR UNIT
WHP18-42M

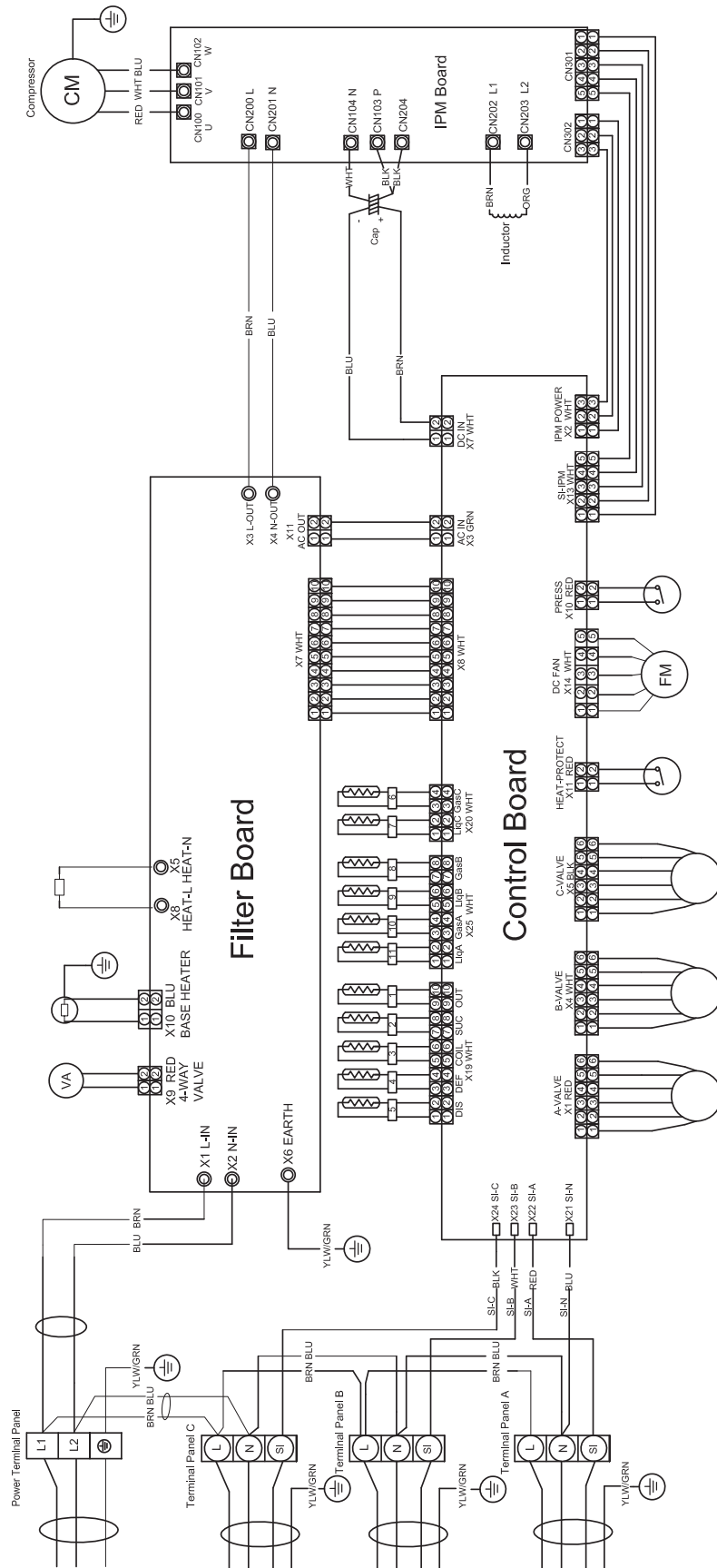
OUTDOOR UNIT
WHP18-42M



5-2. Model: WHP24M3A21S

OUTDOOR UNIT
WHP18-42M

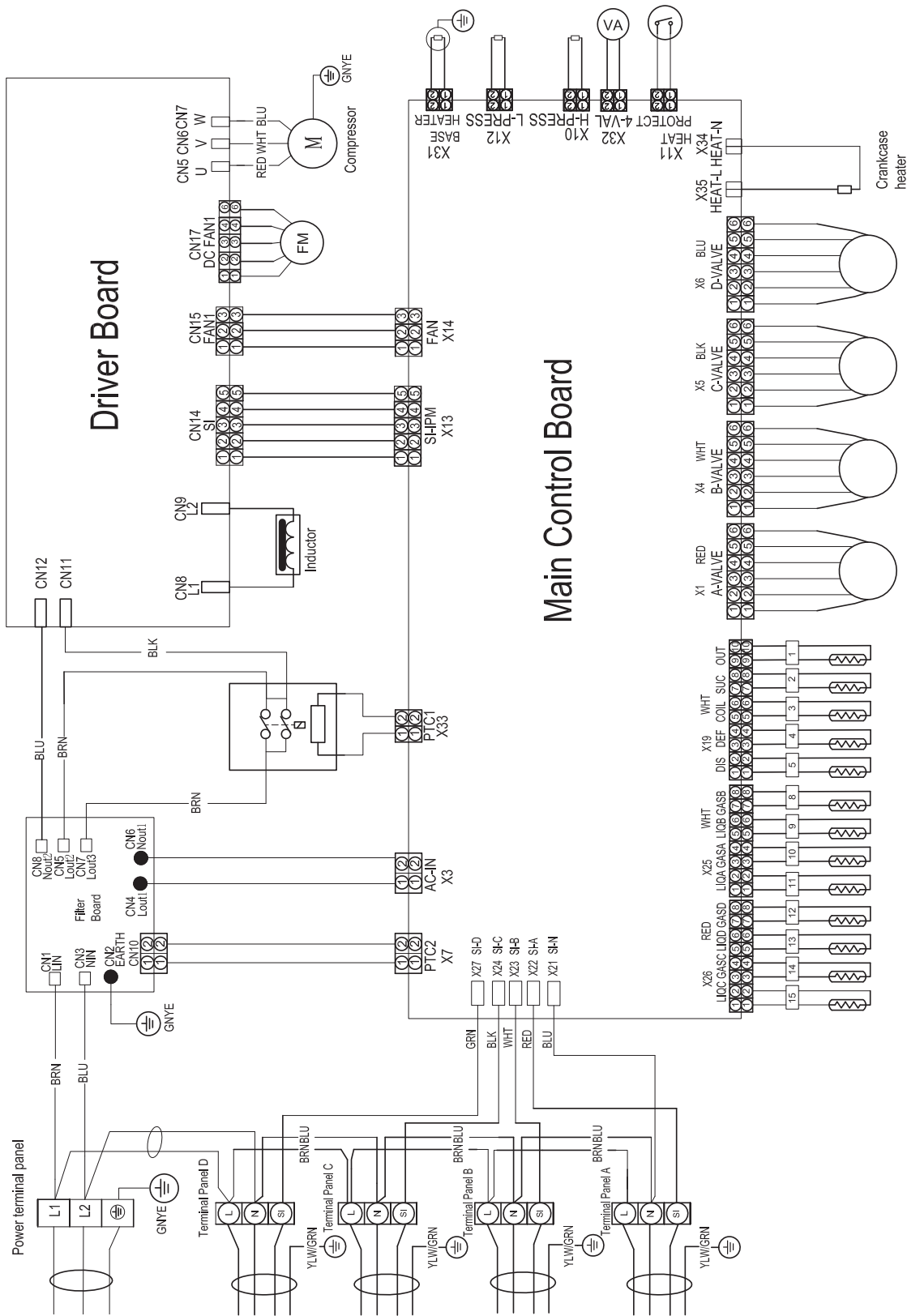
OUTDOOR UNIT
WHP18-42M



5-3. Model: WHP36M4A21S

OUTDOOR UNIT
WHP18-42M

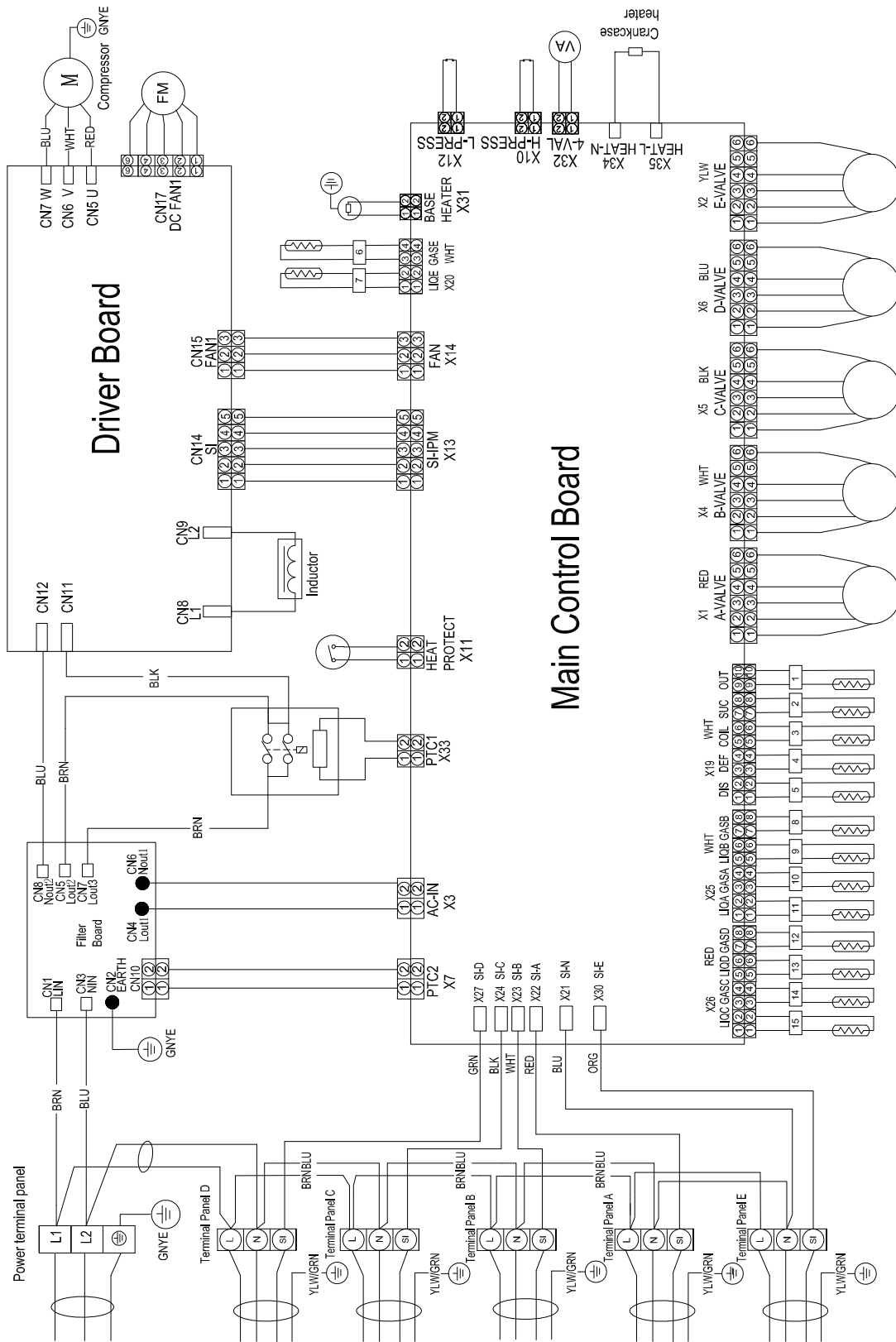
OUTDOOR UNIT
WHP18-42M



5-4. Model: WHP42M5A21S

OUTDOOR UNIT
WHP18-42M

OUTDOOR UNIT
WHP18-42M



6. Capacity table

6-1. Model: WHP18M2A21S

■ Cooling

- TC: Total Capacity (Gross)
- SHC: Sensible Heat Capacity (Gross)
- IP: Input Power (Including the compressor, evaporator fan motor, and condenser fan motor)

Indoor unit connecting capacity	Outdoor temperature		Indoor temperature																																																																																																																																																																																																																																																
			64 °FDB/54 °FWB			70 °FDB/60 °FWB			75 °FDB/63 °FWB			80 °FDB/67 °FWB			85 °FDB/71 °FWB			90 °FDB/73 °FWB																																																																																																																																																																																																																																	
			TC	SHC	IP	TC	SHC	IP	TC	SHC	IP	TC	SHC	IP	TC	SHC	IP	TC	SHC	IP																																																																																																																																																																																																																															
kBtu/h	°FDB	°FWB	kBtu/h			kW			kBtu/h			kW			kBtu/h			kW			kBtu/h			kW																																																																																																																																																																																																																											
07 + 09	14	12	15.16	12.64	0.88	17.16	12.62	0.90	18.10	13.94	0.90	19.40	14.53	0.90	20.75	14.88	0.92	21.40	16.47	0.93	23	21	14.88	12.33	0.96	16.84	12.31	0.97	17.77	13.60	0.98	19.04	14.28	0.98	20.37	14.61	1.01	21.01	16.27	1.01	32	28	14.76	12.22	1.02	16.70	12.20	1.03	17.63	13.51	1.04	18.87	14.15	1.04	20.18	14.50	1.06	20.85	16.12	1.07	41	37	14.58	12.14	1.16	16.49	12.12	1.18	17.40	13.39	1.19	18.65	14.06	1.19	19.95	14.39	1.21	20.57	16.02	1.22	50	47	14.70	12.19	1.31	16.65	12.19	1.33	17.56	13.46	1.34	18.82	14.14	1.34	20.13	14.47	1.38	20.76	16.10	1.39	59	50	15.53	12.60	1.48	17.59	12.58	1.51	18.56	13.90	1.53	19.88	14.60	1.53	21.26	15.27	1.56	21.93	16.62	1.57	67	53	18.81	14.34	1.72	21.28	14.32	1.74	22.44	15.81	1.76	24.05	16.60	1.76	25.72	17.40	1.81	26.52	18.91	1.81	77	62	18.23	14.10	1.97	20.63	14.08	2.01	21.76	15.55	2.03	23.31	16.34	2.03	24.94	17.00	2.07	25.71	18.61	2.08	87	69	17.75	13.87	2.24	20.09	13.85	2.28	21.19	15.30	2.30	22.71	16.07	2.30	24.29	16.44	2.35	25.05	18.30	2.36	95	75	17.25	13.30	2.41	19.52	13.29	2.46	20.60	14.68	2.48	21.71	15.41	2.48	23.60	15.77	2.53	24.33	17.55	2.54	104	78	14.63	12.16	2.19	16.57	12.15	2.23	17.48	13.42	2.24	18.72	14.09	2.24	20.04	14.43	2.30	20.66	16.06	2.31	115	80	10.77	10.70	1.76	12.20	10.68	1.78	12.87	11.80	1.80	13.79	12.40	1.80	14.76	12.69	1.84	15.22	14.13	1.85			
	07 + 12	14	12	15.67	13.06	0.90	17.74	13.05	0.92	18.71	14.41	0.92	20.05	15.02	0.92	21.45	15.38	0.94	22.12	17.02	0.95	23	21	15.38	12.74	0.98	17.41	12.73	0.99	18.37	14.06	0.99	19.68	14.76	0.99	21.06	15.11	1.02	21.71	16.82	1.02	32	28	15.26	12.63	1.03	17.26	12.61	1.05	18.22	13.96	1.06	19.51	14.63	1.06	20.86	14.98	1.08	21.55	16.66	1.09	41	37	15.07	12.54	1.18	17.05	12.53	1.20	17.99	13.84	1.21	19.27	14.53	1.21	20.62	14.87	1.23	21.26	16.56	1.24	50	47	15.20	12.60	1.33	17.20	12.60	1.35	18.15	13.91	1.37	19.45	14.61	1.37	20.81	14.96	1.40	21.46	16.65	1.41	59	50	16.06	13.02	1.51	18.18	13.00	1.54	19.18	14.37	1.56	20.54	15.09	1.56	21.98	15.79	1.58	22.67	17.18	1.59	67	53	19.44	14.82	1.75	22.00	14.80	1.77	23.20	16.34	1.79	24.86	17.16	1.79	26.59	17.98	1.84	27.41	19.55	1.84	77	62	18.85	14.58	2.01	21.33	14.56	2.05	22.49	16.08	2.07	24.10	16.89	2.07	25.78	17.57	2.11	26.58	19.23	2.12	87	69	18.35	14.33	2.28	20.77	14.32	2.32	21.90	15.82	2.34	23.47	16.61	2.34	25.11	16.99	2.39	25.89	18.92	2.40	95	75	17.83	13.75	2.45	20.18	13.73	2.51	21.29	15.17	2.53	22.44	15.93	2.53	24.39	16.30	2.58	25.15	18.14	2.59	104	78	15.13	12.57	2.23	17.13	12.56	2.27	18.07	13.88	2.28	19.35	14.57	2.28	20.71	14.91	2.34	21.35	16.60	2.35	115	80	11.14	11.06	1.78	12.61	11.04	1.81	13.30	12.20	1.83	14.26	12.81	1.83	15.26	13.11	1.87	15.74	14.60	1.88		
		09 + 09	14	12	15.16	12.64	0.88	17.16	12.62	0.90	18.10	13.94	0.90	19.40	14.53	0.90	20.75	14.88	0.92	21.40	16.47	0.93	23	21	14.88	12.33	0.96	16.84	12.31	0.97	17.77	13.60	0.98	19.04	14.28	0.98	20.37	14.61	1.01	21.01	16.27	1.01	32	28	14.76	12.22	1.02	16.70	12.20	1.03	17.63	13.51	1.04	18.87	14.15	1.04	20.18	14.50	1.06	20.85	16.12	1.07	41	37	14.58	12.14	1.16	16.49	12.12	1.18	17.40	13.39	1.19	18.65	14.06	1.19	19.95	14.39	1.21	20.57	16.02	1.22	50	47	14.70	12.19	1.31	16.65	12.19	1.33	17.56	13.46	1.34	18.82	14.14	1.34	20.13	14.47	1.38	20.76	16.10	1.39	59	50	15.53	12.60	1.48	17.59	12.58	1.51	18.56	13.90	1.53	19.88	14.60	1.53	21.26	15.27	1.56	21.93	16.62	1.57	67	53	18.81	14.34	1.72	21.28	14.32	1.74	22.44	15.81	1.76	24.05	16.60	1.76	25.72	17.40	1.81	26.52	18.91	1.81	77	62	18.23	14.10	1.97	20.63	14.08	2.01	21.76	15.55	2.03	23.31	16.34	2.03	24.94	17.00	2.07	25.71	18.61	2.08	87	69	17.75	13.87	2.24	20.09	13.85	2.28	21.19	15.30	2.30	22.71	16.07	2.30	24.29	16.44	2.35	25.05	18.30	2.36	95	75	17.25	13.30	2.41	19.52	13.29	2.46	20.60	14.68	2.48	21.71	15.41	2.48	23.60	15.77	2.53	24.33	17.55	2.54	104	78	14.63	12.16	2.19	16.57	12.15	2.23	17.48	13.42	2.24	18.72	14.09	2.24	20.04	14.43	2.30	20.66	16.06	2.31	115	80	10.77	10.70	1.76	12.20	10.68	1.78	12.87	11.80	1.80	13.79	12.40	1.80	14.76	12.69	1.84	15.22	14.13	1.85	
			09 + 12	14	12	15.67	13.06	0.90	17.74	13.05	0.92	18.71	14.41	0.92	20.05	15.02	0.92	21.45	15.38	0.94	22.12	17.02	0.95	23	21	15.38	12.74	0.98	17.41	12.73	0.99	18.37	14.06	0.99	19.68	14.76	0.99	21.06	15.11	1.02	21.71	16.82	1.02	32	28	15.26	12.63	1.03	17.26	12.61	1.05	18.22	13.96	1.06	19.51	14.63	1.06	20.86	14.98	1.08	21.55	16.66	1.09	41	37	15.07	12.54	1.18	17.05	12.53	1.20	17.99	13.84	1.21	19.27	14.53	1.21	20.62	14.87	1.23	21.26	16.56	1.24	50	47	15.20	12.60	1.33	17.20	12.60	1.35	18.15	13.91	1.37	19.45	14.61	1.37	20.81	14.96	1.40	21.46	16.65	1.41	59	50	16.06	13.02	1.51	18.18	13.00	1.54	19.18	14.37	1.56	20.54	15.09	1.56	21.98	15.79	1.58	22.67	17.18	1.59	67	53	19.44	14.82	1.75	22.00	14.80	1.77	23.20	16.34	1.79	24.86	17.16	1.79	26.59	17.98	1.84	27.41	19.55	1.84	77	62	18.85	14.58	2.01	21.33	14.56	2.05	22.49	16.08	2.07	24.10	16.89	2.07	25.78	17.57	2.11	26.58	19.23	2.12	87	69	18.35	14.33	2.28	20.77	14.32	2.32	21.90	15.82	2.34	23.47	16.61	2.34	25.11	16.99	2.39	25.89	18.92	2.40	95	75	17.83	13.75	2.45	20.18	13.73	2.51	21.29	15.17	2.53	22.44	15.93	2.53	24.39	16.30	2.58	25.15	18.14	2.59	104	78	15.13	12.57	2.23	17.13	12.56	2.27	18.07	13.88	2.28	19.35	14.57	2.28	20.71	14.91	2.34	21.35	16.60	2.35	115	80	11.14	11.06	1.78	12.61	11.04	1.81	13.30	12.20	1.83	14.26	12.81	1.83	15.26	13.11	1.87	15.74	14.60	1.88

NOTES:

- Specifications are based on the following conditions.
 - Power source of specifications: 230 V
 - Pipe length: 24.6 ft (7.5 m), Height difference: 0 ft (0 m) [Outdoor unit—Indoor unit]
 - Indoor unit fan speed: HIGH
- 2 or more indoor units should be connected.
- The total ability of connected a indoor unit is from 16,000 Btu/h up to 21,000 Btu/h.
- Input in the table are calculated based on the maximum indoor unit input combinations.
- Capacity loss due to white frost and defrost operation is not included.

OUTDOOR UNIT
WHP18-42M

OUTDOOR UNIT
WHP18-42M

■ Heating

- TC: Total Capacity (Gross)
- IP: Input Power (Including the compressor, evaporator fan motor, and condenser fan motor)

Indoor unit connecting capacity	Outdoor temperature		Indoor temperature									
			60 °FDB		65 °FDB		70 °FDB		75 °FDB		78 °FDB	
			TC	IP	TC	IP	TC	IP	TC	IP	TC	IP
kBtu/h	°FDB	°FWB	kBtu/h	kW	kBtu/h	kW	kBtu/h	kW	kBtu/h	kW	kBtu/h	kW
07 + 09	-13	-15	12.83	2.17	12.68	2.13	12.60	2.09	12.25	2.05	11.84	2.01
	-5	-7	15.62	2.28	15.22	2.24	14.84	2.20	14.54	2.15	14.10	2.11
	5	3	18.83	2.43	18.38	2.38	18.00	2.34	17.78	2.29	17.36	2.24
	14	12	21.51	2.58	20.97	2.53	20.48	2.48	19.95	2.43	19.40	2.38
	23	19	22.66	2.71	22.10	2.66	21.54	2.60	20.99	2.55	20.43	2.53
	32	28	23.70	2.89	23.09	2.84	22.60	2.77	21.95	2.72	21.38	2.66
	41	37	24.91	2.99	24.27	2.93	23.77	2.87	23.11	2.82	22.53	2.77
	47	43	25.84	3.10	25.06	3.04	24.48	2.98	23.90	2.95	23.31	2.90
	50	47	23.76	2.87	23.15	2.81	22.74	2.75	22.08	2.69	21.48	2.67
	59	50	21.33	2.54	20.78	2.50	20.42	2.44	19.83	2.38	19.28	2.37
68	59	18.85	2.13	18.37	2.09	18.04	2.04	17.52	2.00	17.04	1.98	
75	65	13.60	1.58	13.25	1.55	13.01	1.52	12.64	1.48	12.29	1.47	
07 + 12	-13	-15	12.83	2.17	12.68	2.13	12.60	2.09	12.25	2.05	11.84	2.01
	-5	-7	15.62	2.28	15.22	2.24	14.84	2.20	14.54	2.15	14.10	2.11
	5	3	18.83	2.43	18.38	2.38	18.00	2.34	17.78	2.29	17.36	2.24
	14	12	21.93	2.63	21.38	2.58	20.88	2.53	20.34	2.48	19.78	2.43
	23	19	23.54	2.82	22.96	2.77	22.38	2.71	21.80	2.65	21.22	2.62
	32	28	25.06	3.05	24.41	3.00	23.90	2.93	23.21	2.87	22.61	2.82
	41	37	26.78	3.22	26.09	3.15	25.56	3.08	24.85	3.03	24.23	2.97
	47	43	28.23	3.39	27.38	3.33	26.75	3.26	26.11	3.22	25.47	3.17
	50	47	25.96	3.13	25.30	3.07	24.85	3.01	24.13	2.94	23.47	2.92
	59	50	23.31	2.77	22.71	2.73	22.31	2.67	21.66	2.60	21.07	2.59
68	59	20.60	2.33	20.07	2.28	19.71	2.23	19.14	2.18	18.62	2.16	
75	65	14.86	1.73	14.47	1.70	14.22	1.66	13.81	1.62	13.43	1.60	
09 + 09	-13	-15	12.83	2.17	12.68	2.13	12.60	2.09	12.25	2.05	11.84	2.01
	-5	-7	15.62	2.28	15.22	2.24	14.84	2.20	14.54	2.15	14.10	2.11
	5	3	18.83	2.43	18.38	2.38	18.00	2.34	17.78	2.29	17.36	2.24
	14	12	21.51	2.58	20.97	2.53	20.48	2.48	19.95	2.43	19.40	2.38
	23	19	22.66	2.71	22.10	2.66	21.54	2.60	20.99	2.55	20.43	2.53
	32	28	23.70	2.89	23.09	2.84	22.60	2.77	21.95	2.72	21.38	2.66
	41	37	24.91	2.99	24.27	2.93	23.77	2.87	23.11	2.82	22.53	2.77
	47	43	25.84	3.10	25.06	3.04	24.48	2.98	23.90	2.95	23.31	2.90
	50	47	23.76	2.87	23.15	2.81	22.74	2.75	22.08	2.69	21.48	2.67
	59	50	21.33	2.54	20.78	2.50	20.42	2.44	19.83	2.38	19.28	2.37
68	59	18.85	2.13	18.37	2.09	18.04	2.04	17.52	2.00	17.04	1.98	
75	65	13.60	1.58	13.25	1.55	13.01	1.52	12.64	1.48	12.29	1.47	
09 + 12	-13	-15	12.83	2.17	12.68	2.13	12.60	2.09	12.25	2.05	11.84	2.01
	-5	-7	15.62	2.28	15.22	2.24	14.84	2.20	14.54	2.15	14.10	2.11
	5	3	18.83	2.43	18.38	2.38	18.00	2.34	17.78	2.29	17.36	2.24
	14	12	21.93	2.63	21.38	2.58	20.88	2.53	20.34	2.48	19.78	2.43
	23	19	23.54	2.82	22.96	2.77	22.38	2.71	21.80	2.65	21.22	2.62
	32	28	25.06	3.05	24.41	3.00	23.90	2.93	23.21	2.87	22.61	2.82
	41	37	26.78	3.22	26.09	3.15	25.56	3.08	24.85	3.03	24.23	2.97
	47	43	28.23	3.39	27.38	3.33	26.75	3.26	26.11	3.22	25.47	3.17
	50	47	25.96	3.13	25.30	3.07	24.85	3.01	24.13	2.94	23.47	2.92
	59	50	23.31	2.77	22.71	2.73	22.31	2.67	21.66	2.60	21.07	2.59
68	59	20.60	2.33	20.07	2.28	19.71	2.23	19.14	2.18	18.62	2.16	
75	65	14.86	1.73	14.47	1.70	14.22	1.66	13.81	1.62	13.43	1.60	

NOTES:

- Specifications are based on the following conditions.
 - Power source of specifications: 230 V
 - Pipe length: 24.6 ft (7.5 m), Height difference: 0 ft (0 m) [Outdoor unit—Indoor unit]
 - Indoor unit fan speed: HIGH
- 2 or more indoor units should be connected.
- The total ability of connected a indoor unit is from 16,000 Btu/h up to 21,000 Btu/h.
- Input in the table are calculated based on the maximum indoor unit input combinations.
- Capacity loss due to white frost and defrost operation is not included.

OUTDOOR UNIT
WHP18-42M

OUTDOOR UNIT
WHP18-42M

6-2. Model: WHP24M3A21S

Cooling

- TC: Total Capacity (Gross)
- SHC: Sensible Heat Capacity (Gross)
- IP: Input Power (Including the compressor, evaporator fan motor, and condenser fan motor)

OUTDOOR UNIT
WHP18-42M

OUTDOOR UNIT
WHP18-42M

Indoor unit connecting capacity	Outdoor temperature		Indoor temperature																	
			64 °FDB/54 °FWB			70 °FDB/60 °FWB			75 °FDB/63 °FWB			80 °FDB/67 °FWB			85 °FDB/71 °FWB			90 °FDB/73 °FWB		
			TC	SHC	IP	TC	SHC	IP	TC	SHC	IP	TC	SHC	IP	TC	SHC	IP	TC	SHC	IP
kBtu/h	°FDB	°FWB	kBtu/h	kW		kBtu/h	kW		kBtu/h	kW		kBtu/h	kW		kBtu/h	kW		kBtu/h	kW	
07 + 18	14	12	20.76	17.35	1.00	23.50	17.33	1.02	24.79	19.15	1.02	26.57	19.65	1.03	28.42	20.58	1.04	29.30	22.91	1.05
	23	21	20.32	16.81	1.09	22.99	16.79	1.10	24.26	18.55	1.11	25.99	19.47	1.12	27.81	19.93	1.14	28.67	22.19	1.14
	32	28	20.03	16.66	1.19	22.66	16.64	1.21	23.92	18.42	1.23	25.61	19.30	1.24	27.39	19.77	1.25	28.30	21.98	1.26
	41	37	19.78	16.55	1.27	22.38	16.53	1.29	23.62	18.26	1.30	25.31	19.18	1.31	27.08	19.62	1.32	27.91	21.85	1.34
	50	47	19.95	16.63	1.34	22.59	16.62	1.36	23.83	18.35	1.37	25.53	19.28	1.40	27.32	19.73	1.41	28.17	21.96	1.42
	59	50	21.08	17.18	1.59	23.87	17.15	1.62	25.18	18.96	1.65	26.97	19.91	1.65	28.86	20.72	1.67	29.76	22.67	1.68
	67	53	25.02	19.28	1.96	28.32	19.26	1.99	29.86	21.26	2.01	32.00	22.33	2.03	34.23	23.37	2.06	35.29	25.43	2.07
	77	62	24.67	19.00	2.23	27.91	18.97	2.27	29.43	20.95	2.29	31.54	22.01	2.32	33.74	22.82	2.34	34.79	25.06	2.35
	87	69	24.07	18.52	2.40	27.25	18.50	2.44	28.73	20.44	2.46	30.79	21.46	2.48	32.94	22.10	2.52	33.97	24.44	2.53
	95	75	23.32	18.00	2.51	26.39	17.98	2.57	27.83	19.86	2.59	29.34	20.85	2.61	31.89	21.34	2.64	32.89	23.75	2.65
	104	78	19.86	16.58	2.37	22.49	16.57	2.42	23.72	18.31	2.43	25.41	19.22	2.46	27.19	19.68	2.49	28.03	21.90	2.50
115	80	14.62	14.59	2.04	16.56	14.56	2.07	17.46	16.09	2.09	18.72	16.90	2.12	20.03	17.30	2.14	20.66	19.27	2.15	
09 + 12	14	12	18.06	15.09	0.87	20.44	15.07	0.89	21.55	16.65	0.89	23.10	17.09	0.90	24.71	17.90	0.90	25.48	19.92	0.91
	23	21	17.67	14.62	0.95	19.99	14.60	0.96	21.09	16.13	0.97	22.60	16.93	0.97	24.18	17.33	0.99	24.93	19.30	0.99
	32	28	17.42	14.49	1.04	19.70	14.47	1.06	20.80	16.02	1.07	22.27	16.78	1.08	23.82	17.19	1.08	24.61	19.11	1.09
	41	37	17.20	14.39	1.10	19.46	14.37	1.12	20.54	15.88	1.13	22.01	16.67	1.14	23.54	17.06	1.15	24.27	19.00	1.16
	50	47	17.35	14.46	1.16	19.64	14.45	1.18	20.72	15.96	1.19	22.20	16.76	1.21	23.75	17.16	1.22	24.50	19.10	1.23
	59	50	18.33	14.94	1.38	20.75	14.92	1.41	21.90	16.49	1.43	23.45	17.31	1.43	25.09	18.02	1.45	25.88	19.71	1.46
	67	53	21.76	16.76	1.70	24.62	16.74	1.73	25.97	18.49	1.75	27.83	19.41	1.76	29.76	20.32	1.79	30.69	22.11	1.80
	77	62	21.45	16.52	1.94	24.27	16.50	1.98	25.59	18.22	2.00	27.43	19.14	2.01	29.34	19.85	2.03	30.25	21.79	2.04
	87	69	20.93	16.10	2.08	23.69	16.08	2.12	24.98	17.77	2.14	26.78	18.66	2.16	28.64	19.22	2.19	29.54	21.25	2.20
	95	75	20.28	15.65	2.19	22.94	15.63	2.23	24.20	17.27	2.25	25.52	18.13	2.27	27.73	18.55	2.30	28.60	20.65	2.30
	104	78	17.27	14.42	2.06	19.55	14.41	2.10	20.63	15.92	2.11	22.09	16.71	2.14	23.64	17.11	2.16	24.38	19.05	2.17
115	80	12.71	12.68	1.77	14.40	12.66	1.80	15.18	13.99	1.82	16.28	14.70	1.84	17.42	15.05	1.86	17.96	16.75	1.87	
09 + 18	14	12	20.76	17.35	1.00	23.50	17.33	1.02	24.79	19.15	1.02	26.57	19.65	1.03	28.42	20.58	1.04	29.30	22.91	1.05
	23	21	20.32	16.81	1.09	22.99	16.79	1.10	24.26	18.55	1.11	25.99	19.47	1.12	27.81	19.93	1.14	28.67	22.19	1.14
	32	28	20.03	16.66	1.19	22.66	16.64	1.21	23.92	18.42	1.23	25.61	19.30	1.24	27.39	19.77	1.25	28.30	21.98	1.26
	41	37	19.78	16.55	1.27	22.38	16.53	1.29	23.62	18.26	1.30	25.31	19.18	1.31	27.08	19.62	1.32	27.91	21.85	1.34
	50	47	19.95	16.63	1.34	22.59	16.62	1.36	23.83	18.35	1.37	25.53	19.28	1.40	27.32	19.73	1.41	28.17	21.96	1.42
	59	50	21.08	17.18	1.59	23.87	17.15	1.62	25.18	18.96	1.65	26.97	19.91	1.65	28.86	20.72	1.67	29.76	22.67	1.68
	67	53	25.02	19.28	1.96	28.32	19.26	1.99	29.86	21.26	2.01	32.00	22.33	2.03	34.23	23.37	2.06	35.29	25.43	2.07
	77	62	24.67	19.00	2.23	27.91	18.97	2.27	29.43	20.95	2.29	31.54	22.01	2.32	33.74	22.82	2.34	34.79	25.06	2.35
	87	69	24.07	18.52	2.40	27.25	18.50	2.44	28.73	20.44	2.46	30.79	21.46	2.48	32.94	22.10	2.52	33.97	24.44	2.53
	95	75	23.32	18.00	2.51	26.39	17.98	2.57	27.83	19.86	2.59	29.34	20.85	2.61	31.89	21.34	2.64	32.89	23.75	2.65
	104	78	19.86	16.58	2.37	22.49	16.57	2.42	23.72	18.31	2.43	25.41	19.22	2.46	27.19	19.68	2.49	28.03	21.90	2.50
115	80	14.62	14.59	2.04	16.56	14.56	2.07	17.46	16.09	2.09	18.72	16.90	2.12	20.03	17.30	2.14	20.66	19.27	2.15	
12 + 12	14	12	20.63	17.25	0.99	23.36	17.22	1.01	24.63	19.03	1.01	26.40	19.53	1.02	28.24	20.46	1.03	29.12	22.76	1.05
	23	21	20.19	16.71	1.08	22.85	16.68	1.09	24.11	18.43	1.10	25.83	19.35	1.11	27.63	19.80	1.14	28.50	22.05	1.14
	32	28	19.91	16.56	1.19	22.52	16.54	1.21	23.78	18.31	1.22	25.45	19.18	1.23	27.22	19.65	1.24	28.12	21.84	1.25
	41	37	19.66	16.45	1.26	22.24	16.42	1.28	23.47	18.15	1.29	25.15	19.06	1.31	26.91	19.50	1.32	27.74	21.71	1.33
	50	47	19.83	16.53	1.33	22.45	16.51	1.35	23.69	18.24	1.37	25.38	19.16	1.39	27.15	19.61	1.40	28.00	21.82	1.41
	59	50	20.95	17.07	1.58	23.72	17.05	1.61	25.02	18.84	1.63	26.81	19.78	1.63	28.68	20.59	1.66	29.57	22.53	1.67
	67	53	24.87	19.16	1.95	28.14	19.14	1.98	29.68	21.13	2.00	31.80	22.19	2.02	34.01	23.22	2.05	35.07	25.27	2.06
	77	62	24.52	18.88	2.21	27.74	18.85	2.26	29.25	20.82	2.28	31.34	21.87	2.30	33.53	22.68	2.32	34.57	24.91	2.34
	87	69	23.92	18.41	2.38	27.08	18.38	2.42	28.55	20.31	2.45	30.60	21.33	2.47	32.73	21.96	2.50	33.75	24.29	2.51
	95	75	23.17	17.89	2.50	26.22	17.86	2.55	27.66	19.73	2.57	29.16	20.72	2.59	31.70	21.20	2.62	32.68	23.60	2.63
	104	78	19.74	16.48	2.35	22.35	16.47	2.40	23.57	18.19	2.41	25.25	19.10	2.45	27.02	19.56	2.47	27.86	21.77	2.48
115	80	14.53	14.49	2.02	16.46	14.47	2.06	17.35	15.99	2.08	18.60	16.80	2.10	19.91	17.20	2.12	20.53	19.15	2.14	
12 + 18	14	12	20.89	17.46	1.00	23.65	17.44	1.02	24.94	19.27	1.02	26.73	19.77	1.04	28.60	20.71	1.05	29.49	23.05	1.06
	23	21	20.44	16.92	1.09	23.13	16.89	1.11	24.41	18.66	1.12	26.15	19.59	1.13	27.98	20.05	1.15	28.85	22.33	1.15
	32	28	20.16	16.77	1.20	22.80	16.74	1.22	24.07	18.53	1.23	25.77	19.42	1.24	27.56	19.89	1.25	28.47	22.11	1.27
	41	37	19.90	16.65	1.28	22.52	16.63	1.30	23.76	18.38	1.31	25.46	19.29	1.32	27.24	19.74	1.33	28.08	21.98	1.34
	50	47	20.08	16.73	1.35	22.73	16.72	1.37	23.98	18.47	1.38	25.69	19.40	1.41	27.49	19.86	1.42	28.35	22.10	1.43
	59	50	21.21	17.28	1.60	24.02	17.26	1.63	25.34	19.08	1.66	27.14	20.03	1.66	29.04	20.85	1.68	29.94	22.81	1.69
	67	53	25.18	19.40	1.97	28.49	19.37	2.00	30.05	21.40	2.02	32.20	22.46	2.04	34.44	23.51	2.07	35.51	25.59	2.08
	77	62	24.82	19.11	2.24	28.09	19.09	2.29	29.62	21.08	2.31	31.74	22.14	2.33	33.95	22.96	2.35	35.00	25.22	2.37
	87	69	24.22	18.64	2.41	27.41	18.61	2.45	28.91	20.57	2.48	30.98	21.60	2.50	33.14	22.23	2.53	34.18	24.59	2.54
	95	75	23.46	18.11	2.53	26.55	18.09	2.58	28.01	19.98	2.60	29.52	20.98	2.62	32.09	21.47	2.66	33.09	23.90	2.67
	104	78	19.98	16.69	2.38	22.63	16.67	2.43	23.87	18.42	2.44	25.57	19.34	2.48	27.36	19.80	2.50	28.21	22.04	2.51
115	80	14.71	14.68	2.05	16.66	14.65	2.08	17.57	16.											

OUTDOOR UNIT
WHP18-42M

OUTDOOR UNIT
WHP18-42M

Indoor unit connecting capacity	Outdoor temperature		Indoor temperature																	
			64 °FDB/54 °FWB			70 °FDB/60 °FWB			75 °FDB/63 °FWB			80 °FDB/67 °FWB			85 °FDB/71 °FWB			90 °FDB/73 °FWB		
			TC	SHC	IP	TC	SHC	IP	TC	SHC	IP	TC	SHC	IP	TC	SHC	IP	TC	SHC	IP
kBtu/h	°FDB	°FWB	kBtu/h	kW	kBtu/h	kW	kBtu/h	kW	kBtu/h	kW	kBtu/h	kW	kBtu/h	kW	kBtu/h	kW	kBtu/h	kW		
07 + 07 + 09	14	12	20.76	17.35	1.00	23.50	17.33	1.02	24.79	19.15	1.02	26.57	19.65	1.03	28.42	20.58	1.04	29.30	22.91	1.05
	23	21	20.32	16.81	1.09	22.99	16.79	1.10	24.26	18.55	1.11	25.99	19.47	1.12	27.81	19.93	1.14	28.67	22.19	1.14
	32	28	20.03	16.66	1.19	22.66	16.64	1.21	23.92	18.42	1.23	25.61	19.30	1.24	27.39	19.77	1.25	28.30	21.98	1.26
	41	37	19.78	16.55	1.27	22.38	16.53	1.29	23.62	18.26	1.30	25.31	19.18	1.31	27.08	19.62	1.32	27.91	21.85	1.34
	50	47	19.95	16.63	1.34	22.59	16.62	1.36	23.83	18.35	1.37	25.53	19.28	1.40	27.32	19.73	1.41	28.17	21.96	1.42
	59	50	21.08	17.18	1.59	23.87	17.15	1.62	25.18	18.96	1.65	26.97	19.91	1.65	28.86	20.72	1.67	29.76	22.67	1.68
	67	53	25.02	19.28	1.96	28.32	19.26	1.99	29.86	21.26	2.01	32.00	22.33	2.03	34.23	23.37	2.06	35.29	25.43	2.07
	77	62	24.67	19.00	2.23	27.91	18.97	2.27	29.43	20.95	2.29	31.54	22.01	2.32	33.74	22.82	2.34	34.79	25.06	2.35
	87	69	24.07	18.52	2.40	27.25	18.50	2.44	28.73	20.44	2.46	30.79	21.46	2.48	32.94	22.10	2.52	33.97	24.44	2.53
	95	75	23.32	18.00	2.51	26.39	17.98	2.57	27.83	19.86	2.59	29.34	20.85	2.61	31.89	21.34	2.64	32.89	23.75	2.65
	104	78	19.86	16.58	2.37	22.49	16.57	2.42	23.72	18.31	2.43	25.41	19.22	2.46	27.19	19.68	2.49	28.03	21.90	2.50
115	80	14.62	14.59	2.04	16.56	14.56	2.07	17.46	16.09	2.09	18.72	16.90	2.12	20.03	17.30	2.14	20.66	19.27	2.15	
07 + 07 + 12	14	12	20.89	17.46	1.00	23.65	17.44	1.02	24.94	19.27	1.02	26.73	19.77	1.04	28.60	20.71	1.05	29.49	23.05	1.06
	23	21	20.44	16.92	1.09	23.13	16.89	1.11	24.41	18.66	1.12	26.15	19.59	1.13	27.98	20.05	1.15	28.85	22.33	1.15
	32	28	20.16	16.77	1.20	22.80	16.74	1.22	24.07	18.53	1.23	25.77	19.42	1.24	27.56	19.89	1.25	28.47	22.11	1.27
	41	37	19.90	16.65	1.28	22.52	16.63	1.30	23.76	18.38	1.31	25.46	19.29	1.32	27.24	19.74	1.33	28.08	21.98	1.34
	50	47	20.08	16.73	1.35	22.73	16.72	1.37	23.98	18.47	1.38	25.69	19.40	1.41	27.49	19.86	1.42	28.35	22.10	1.43
	59	50	21.21	17.28	1.60	24.02	17.26	1.63	25.34	19.08	1.66	27.14	20.03	1.66	29.04	20.85	1.68	29.94	22.81	1.69
	67	53	25.18	19.40	1.97	28.49	19.37	2.00	30.05	21.40	2.02	32.20	22.46	2.04	34.44	23.51	2.07	35.51	25.59	2.08
	77	62	24.82	19.11	2.24	28.09	19.09	2.29	29.62	21.08	2.31	31.74	22.14	2.33	33.95	22.96	2.35	35.00	25.22	2.37
	87	69	24.22	18.64	2.41	27.41	18.61	2.45	28.91	20.57	2.48	30.98	21.60	2.50	33.14	22.23	2.53	34.18	24.59	2.54
	95	75	23.46	18.11	2.53	26.55	18.09	2.58	28.01	19.98	2.60	29.52	20.98	2.62	32.09	21.47	2.66	33.09	23.90	2.67
	104	78	19.98	16.69	2.38	22.63	16.67	2.43	23.87	18.42	2.44	25.57	19.34	2.48	27.36	19.80	2.50	28.21	22.04	2.51
115	80	14.71	14.68	2.05	16.66	14.65	2.08	17.57	16.19	2.11	18.83	17.01	2.13	20.16	17.41	2.15	20.79	19.39	2.16	
07 + 09	14	12	20.76	17.35	1.00	23.50	17.33	1.02	24.79	19.15	1.02	26.57	19.65	1.03	28.42	20.58	1.04	29.30	22.91	1.05
	23	21	20.32	16.81	1.09	22.99	16.79	1.10	24.26	18.55	1.11	25.99	19.47	1.12	27.81	19.93	1.14	28.67	22.19	1.14
	32	28	20.03	16.66	1.19	22.66	16.64	1.21	23.92	18.42	1.23	25.61	19.30	1.24	27.39	19.77	1.25	28.30	21.98	1.26
	41	37	19.78	16.55	1.27	22.38	16.53	1.29	23.62	18.26	1.30	25.31	19.18	1.31	27.08	19.62	1.32	27.91	21.85	1.34
	50	47	19.95	16.63	1.34	22.59	16.62	1.36	23.83	18.35	1.37	25.53	19.28	1.40	27.32	19.73	1.41	28.17	21.96	1.42
	59	50	21.08	17.18	1.59	23.87	17.15	1.62	25.18	18.96	1.65	26.97	19.91	1.65	28.86	20.72	1.67	29.76	22.67	1.68
	67	53	25.02	19.28	1.96	28.32	19.26	1.99	29.86	21.26	2.01	32.00	22.33	2.03	34.23	23.37	2.06	35.29	25.43	2.07
	77	62	24.67	19.00	2.23	27.91	18.97	2.27	29.43	20.95	2.29	31.54	22.01	2.32	33.74	22.82	2.34	34.79	25.06	2.35
	87	69	24.07	18.52	2.40	27.25	18.50	2.44	28.73	20.44	2.46	30.79	21.46	2.48	32.94	22.10	2.52	33.97	24.44	2.53
	95	75	23.32	18.00	2.51	26.39	17.98	2.57	27.83	19.86	2.59	29.34	20.85	2.61	31.89	21.34	2.64	32.89	23.75	2.65
	104	78	19.86	16.58	2.37	22.49	16.57	2.42	23.72	18.31	2.43	25.41	19.22	2.46	27.19	19.68	2.49	28.03	21.90	2.50
115	80	14.62	14.59	2.04	16.56	14.56	2.07	17.46	16.09	2.09	18.72	16.90	2.12	20.03	17.30	2.14	20.66	19.27	2.15	
07 + 09 + 12	14	12	20.89	17.46	1.00	23.65	17.44	1.02	24.94	19.27	1.02	26.73	19.77	1.04	28.60	20.71	1.05	29.49	23.05	1.06
	23	21	20.44	16.92	1.09	23.13	16.89	1.11	24.41	18.66	1.12	26.15	19.59	1.13	27.98	20.05	1.15	28.85	22.33	1.15
	32	28	20.16	16.77	1.20	22.80	16.74	1.22	24.07	18.53	1.23	25.77	19.42	1.24	27.56	19.89	1.25	28.47	22.11	1.27
	41	37	19.90	16.65	1.28	22.52	16.63	1.30	23.76	18.38	1.31	25.46	19.29	1.32	27.24	19.74	1.33	28.08	21.98	1.34
	50	47	20.08	16.73	1.35	22.73	16.72	1.37	23.98	18.47	1.38	25.69	19.40	1.41	27.49	19.86	1.42	28.35	22.10	1.43
	59	50	21.21	17.28	1.60	24.02	17.26	1.63	25.34	19.08	1.66	27.14	20.03	1.66	29.04	20.85	1.68	29.94	22.81	1.69
	67	53	25.18	19.40	1.97	28.49	19.37	2.00	30.05	21.40	2.02	32.20	22.46	2.04	34.44	23.51	2.07	35.51	25.59	2.08
	77	62	24.82	19.11	2.24	28.09	19.09	2.29	29.62	21.08	2.31	31.74	22.14	2.33	33.95	22.96	2.35	35.00	25.22	2.37
	87	69	24.22	18.64	2.41	27.41	18.61	2.45	28.91	20.57	2.48	30.98	21.60	2.50	33.14	22.23	2.53	34.18	24.59	2.54
	95	75	23.46	18.11	2.53	26.55	18.09	2.58	28.01	19.98	2.60	29.52	20.98	2.62	32.09	21.47	2.66	33.09	23.90	2.67
	104	78	19.98	16.69	2.38	22.63	16.67	2.43	23.87	18.42	2.44	25.57	19.34	2.48	27.36	19.80	2.50	28.21	22.04	2.51
115	80	14.71	14.68	2.05	16.66	14.65	2.08	17.57	16.19	2.11	18.83	17.01	2.13	20.16	17.41	2.15	20.79	19.39	2.16	
07 + 12 + 12	14	12	20.89	17.46	1.00	23.65	17.44	1.02	24.94	19.27	1.02	26.73	19.77	1.04	28.60	20.71	1.05	29.49	23.05	1.06
	23	21	20.44	16.92	1.09	23.13	16.89	1.11	24.41	18.66	1.12	26.15	19.59	1.13	27.98	20.05	1.15	28.85	22.33	1.15
	32	28	20.16	16.77	1.20	22.80	16.74	1.22	24.07	18.53	1.23	25.77	19.42	1.24	27.56	19.89	1.25	28.47	22.11	1.27
	41	37	19.90	16.65	1.28	22.52	16.63	1.30	23.76	18.38	1.31	25.46	19.29	1.32	27.24	19.74	1.33	28.08	21.98	1.34
	50	47	20.08	16.73	1.35	22.73	16.72	1.37	23.98	18.47	1.38	25.69	19.40	1.41	27.49	19.86	1.42	28.35	22.10	1.43
	59	50	21.21	17.28	1.60	24.02	17.26	1.63	25.34	19.08	1.66	27.14	20.03	1.66	29.04	20.85	1.68	29.94	22.81	1.69
	67	53	25.18	19.40	1.97	28.49	19.37	2.00	30.05	21.40	2.02	32.20	22.46	2.04	34.44	23.51	2.07	35.51	25.59	2.08
	77	62	24.82	19.11	2.24	28.09	19.09	2.29	29.62	21.08	2.31	31.74	22.14	2.33	33.95	22.96	2.35	35.00	25.22	2.37
	87	69	24.22	18.64	2.41	27.41	18.61	2.45	28.91	20.57	2.48	30.98	21.60	2.50	33.14	22.23	2.53	34.18	24.59	2.54
	95	75	23.46	18.11	2.53	26.55	18.09	2.58	28.01	19.98	2.60	29.52	20.98	2.62	32.09	21.47	2.66	33.09	23.90	2.67
	104	78	19.98	16.69	2.38	22.63	16.67	2.43	23.87	18.42	2.44	25.57	19.34	2.48	27.36	19.80	2.50	28.21	22.04	2.51
115	80	14.71	14.68	2.05	16.66	14.65	2.08	17.57	16.19	2.11	18.83	17.01	2.13	20.16	17.41	2.15	20.79	19.39	2.16	
09 + 09	14	12	20.76	17.35	1.00</															

NOTES:

- Specifications are based on the following conditions.
 - Power source of specifications: 230 V
 - Pipe length: 24.6 ft (7.5 m), Height difference: 0 ft (0 m) [Outdoor unit—Indoor unit]
 - Indoor unit fan speed: HIGH
- 2 or more indoor units should be connected.
- The total ability of connected a indoor unit is from 21,000 Btu/h up to 31,000 Btu/h.
- Input in the table are calculated based on the maximum indoor unit input combinations.
- Capacity loss due to white frost and defrost operation is not included.

Heating

- TC: Total Capacity (Gross)
- IP: Input Power (Including the compressor, evaporator fan motor, and condenser fan motor)

Indoor unit connecting capacity	Outdoor temperature		Indoor temperature									
			60 °FDB		65 °FDB		70 °FDB		75 °FDB		78 °FDB	
			TC	IP	TC	IP	TC	IP	TC	IP	TC	IP
kBtu/h	°FDB	°FWB	kBtu/h	kW	kBtu/h	kW	kBtu/h	kW	kBtu/h	kW	kBtu/h	kW
07 + 18	-13	-15	17.11	2.40	16.91	2.45	16.80	2.50	16.33	2.55	15.78	2.60
	-5	-7	20.83	2.94	20.29	2.99	19.79	3.07	19.39	3.12	18.80	3.18
	5	3	25.11	3.47	24.50	3.55	24.00	3.62	23.71	3.69	23.14	3.76
	14	12	28.62	3.59	27.91	3.66	26.16	3.75	26.54	3.82	25.81	3.89
	23	19	29.55	3.64	28.82	3.71	27.59	3.79	27.44	3.87	26.70	3.94
	32	28	31.42	3.50	30.61	3.57	29.97	3.64	29.10	3.72	28.35	3.79
	41	37	32.97	3.34	32.11	3.41	31.46	3.47	30.58	3.55	29.82	3.62
	47	43	34.53	3.09	33.64	3.10	33.05	3.17	32.09	3.23	31.21	3.30
	50	47	31.39	2.77	30.58	2.79	30.04	2.85	29.18	2.91	28.37	2.97
	59	50	28.18	2.45	27.46	2.47	26.97	2.53	26.19	2.59	25.47	2.63
68	59	24.90	2.14	24.26	2.16	23.83	2.21	23.15	2.26	22.51	2.30	
75	65	17.96	1.52	17.50	1.54	17.19	1.58	16.69	1.61	16.23	1.64	
09 + 12	-13	-15	16.40	2.40	16.21	2.45	16.10	2.50	15.65	2.55	15.12	2.60
	-5	-7	19.96	2.94	19.44	2.99	18.97	3.07	18.58	3.12	18.01	3.18
	5	3	24.06	3.47	23.48	3.55	23.00	3.62	22.72	3.69	22.18	3.76
	14	12	26.68	3.49	26.01	3.56	24.39	3.64	24.74	3.71	24.06	3.78
	23	19	26.78	3.44	26.13	3.51	25.01	3.58	24.87	3.66	24.20	3.73
	32	28	27.70	3.22	26.99	3.28	26.42	3.35	25.66	3.43	24.99	3.49
	41	37	28.27	2.99	27.54	3.05	26.97	3.10	26.22	3.17	25.57	3.24
	47	43	28.79	2.69	28.05	2.70	27.56	2.76	26.76	2.81	26.02	2.87
	50	47	26.17	2.41	25.50	2.43	25.05	2.48	24.33	2.53	23.66	2.58
	59	50	23.50	2.13	22.90	2.15	22.49	2.20	21.84	2.25	21.24	2.29
68	59	20.76	1.86	20.23	1.88	19.87	1.92	19.30	1.96	18.77	2.00	
75	65	14.98	1.32	14.59	1.34	14.33	1.37	13.92	1.40	13.54	1.42	
09 + 18	-13	-15	17.11	2.40	16.91	2.45	16.80	2.50	16.33	2.55	15.78	2.60
	-5	-7	20.83	2.94	20.29	2.99	19.79	3.07	19.39	3.12	18.80	3.18
	5	3	25.11	3.47	24.50	3.55	24.00	3.62	23.71	3.69	23.14	3.76
	14	12	28.62	3.59	27.91	3.66	26.16	3.75	26.54	3.82	25.81	3.89
	23	19	29.55	3.64	28.82	3.71	27.59	3.79	27.44	3.87	26.70	3.94
	32	28	31.42	3.50	30.61	3.57	29.97	3.64	29.10	3.72	28.35	3.79
	41	37	32.97	3.34	32.11	3.41	31.46	3.47	30.58	3.55	29.82	3.62
	47	43	34.53	3.09	33.64	3.10	33.05	3.17	32.09	3.23	31.21	3.30
	50	47	31.39	2.77	30.58	2.79	30.04	2.85	29.18	2.91	28.37	2.97
	59	50	28.18	2.45	27.46	2.47	26.97	2.53	26.19	2.59	25.47	2.63
68	59	24.90	2.14	24.26	2.16	23.83	2.21	23.15	2.26	22.51	2.30	
75	65	17.96	1.52	17.50	1.54	17.19	1.58	16.69	1.61	16.23	1.64	
12 + 12	-13	-15	17.11	2.40	16.91	2.45	16.80	2.50	16.33	2.55	15.78	2.60
	-5	-7	20.83	2.94	20.29	2.99	19.79	3.07	19.39	3.12	18.80	3.18
	5	3	25.11	3.47	24.50	3.55	24.00	3.62	23.71	3.69	23.14	3.76
	14	12	28.36	3.56	27.65	3.63	25.92	3.71	26.30	3.78	25.57	3.85
	23	19	29.01	3.57	28.30	3.65	27.09	3.72	26.95	3.80	26.21	3.87
	32	28	30.58	3.41	29.80	3.48	29.17	3.54	28.33	3.62	27.59	3.69
	41	37	31.81	3.23	30.99	3.29	30.35	3.34	29.51	3.42	28.77	3.49
	47	43	33.03	2.95	32.19	2.97	31.62	3.03	30.70	3.09	29.86	3.16
	50	47	30.03	2.65	29.26	2.67	28.74	2.73	27.91	2.78	27.14	2.84
	59	50	26.96	2.35	26.27	2.36	25.80	2.42	25.06	2.48	24.37	2.51
68	59	23.82	2.05	23.21	2.07	22.80	2.11	22.14	2.16	21.53	2.20	
75	65	17.18	1.45	16.74	1.47	16.45	1.51	15.97	1.54	15.53	1.57	
12 + 18	-13	-15	17.11	2.40	16.91	2.45	16.80	2.50	16.33	2.55	15.78	2.60
	-5	-7	20.83	2.94	20.29	2.99	19.79	3.07	19.39	3.12	18.80	3.18
	5	3	25.11	3.47	24.50	3.55	24.00	3.62	23.71	3.69	23.14	3.76
	14	12	29.01	3.64	28.29	3.71	26.52	3.80	26.91	3.87	26.16	3.94
	23	19	30.34	3.74	29.60	3.81	28.34	3.89	28.18	3.97	27.42	4.05
	32	28	32.68	3.64	31.84	3.71	31.16	3.79	30.27	3.87	29.48	3.95
	41	37	34.70	3.52	33.80	3.59	33.11	3.65	32.19	3.73	31.39	3.81
	47	43	36.77	3.29	35.83	3.31	35.19	3.38	34.18	3.44	33.23	3.51
	50	47	33.43	2.95	32.57	2.97	31.99	3.04	31.07	3.10	30.21	3.16
	59	50	30.01	2.61	29.24	2.63	28.72	2.70	27.89	2.76	27.12	2.80
68	59	26.52	2.28	25.84	2.30	25.38	2.35	24.65	2.40	23.97	2.45	
75	65	19.13	1.62	18.64	1.64	18.31	1.68	17.78	1.71	17.29	1.74	
07 + 07 + 07	-13	-15	17.11	2.40	16.91	2.45	16.80	2.50	16.33	2.55	15.78	2.60
	-5	-7	20.83	2.94	20.29	2.99	19.79	3.07	19.39	3.12	18.80	3.18
	5	3	25.11	3.47	24.50	3.55	24.00	3.62	23.71	3.69	23.14	3.76
	14	12	28.62	3.59	27.91	3.66	26.16	3.75	26.54	3.82	25.81	3.89
	23	19	29.55	3.64	28.82	3.71	27.59	3.79	27.44	3.87	26.70	3.94
	32	28	31.42	3.50	30.61	3.57	29.97	3.64	29.10	3.72	28.35	3.79
	41	37	32.97	3.34	32.11	3.41	31.46	3.47	30.58	3.55	29.82	3.62
	47	43	34.53	3.09	33.64	3.10	33.05	3.17	32.09	3.23	31.21	3.30
	50	47	31.39	2.77	30.58	2.79	30.04	2.85	29.18	2.91	28.37	2.97
	59	50	28.18	2.45	27.46	2.47	26.97	2.53	26.19	2.59	25.47	2.63
68	59	24.90	2.14	24.26	2.16	23.83	2.21	23.15	2.26	22.51	2.30	
75	65	17.96	1.52	17.50	1.54	17.19	1.58	16.69	1.61	16.23	1.64	

OUTDOOR UNIT
WHP18-42M

OUTDOOR UNIT
WHP18-42M

OUTDOOR UNIT
WHP18-42M

OUTDOOR UNIT
WHP18-42M

Indoor unit connecting capacity	Outdoor temperature		Indoor temperature									
			60 °FDB		65 °FDB		70 °FDB		75 °FDB		78 °FDB	
			TC	IP	TC	IP	TC	IP	TC	IP	TC	IP
kBtu/h	°FDB	°FWB	kBtu/h	kW	kBtu/h	kW	kBtu/h	kW	kBtu/h	kW	kBtu/h	kW
07 + 07 + 09	-13	-15	17.11	2.40	16.91	2.45	16.80	2.50	16.33	2.55	15.78	2.60
	-5	-7	20.83	2.94	20.29	2.99	19.79	3.07	19.39	3.12	18.80	3.18
	5	3	25.11	3.47	24.50	3.55	24.00	3.62	23.71	3.69	23.14	3.76
	14	12	28.62	3.59	27.91	3.66	26.16	3.75	26.54	3.82	25.81	3.89
	23	19	29.55	3.64	28.82	3.71	27.59	3.79	27.44	3.87	26.70	3.94
	32	28	31.42	3.50	30.61	3.57	29.97	3.64	29.10	3.72	28.35	3.79
	41	37	32.97	3.34	32.11	3.41	31.46	3.47	30.58	3.55	29.82	3.62
	47	43	34.53	3.09	33.64	3.10	33.05	3.17	32.09	3.23	31.21	3.30
	50	47	31.39	2.77	30.58	2.79	30.04	2.85	29.18	2.91	28.37	2.97
	59	50	28.18	2.45	27.46	2.47	26.97	2.53	26.19	2.59	25.47	2.63
68	59	24.90	2.14	24.26	2.16	23.83	2.21	23.15	2.26	22.51	2.30	
75	65	17.96	1.52	17.50	1.54	17.19	1.58	16.69	1.61	16.23	1.64	
07 + 07 + 12	-13	-15	17.11	2.40	16.91	2.45	16.80	2.50	16.33	2.55	15.78	2.60
	-5	-7	20.83	2.94	20.29	2.99	19.79	3.07	19.39	3.12	18.80	3.18
	5	3	25.11	3.47	24.50	3.55	24.00	3.62	23.71	3.69	23.14	3.76
	14	12	29.01	3.64	28.29	3.71	26.52	3.80	26.91	3.87	26.16	3.94
	23	19	30.34	3.74	29.60	3.81	28.34	3.89	28.18	3.97	27.42	4.05
	32	28	32.68	3.64	31.84	3.71	31.16	3.79	30.27	3.87	29.48	3.95
	41	37	34.70	3.52	33.80	3.59	33.11	3.65	32.19	3.73	31.39	3.81
	47	43	36.77	3.29	35.83	3.31	35.19	3.38	34.18	3.44	33.23	3.51
	50	47	33.43	2.95	32.57	2.97	31.99	3.04	31.07	3.10	30.21	3.16
	59	50	30.01	2.61	29.24	2.63	28.72	2.70	27.89	2.76	27.12	2.80
68	59	26.52	2.28	25.84	2.30	25.38	2.35	24.65	2.40	23.97	2.45	
75	65	19.13	1.62	18.64	1.64	18.31	1.68	17.78	1.71	17.29	1.74	
07 + 09 + 09	-13	-15	17.11	2.40	16.91	2.45	16.80	2.50	16.33	2.55	15.78	2.60
	-5	-7	20.83	2.94	20.29	2.99	19.79	3.07	19.39	3.12	18.80	3.18
	5	3	25.11	3.47	24.50	3.55	24.00	3.62	23.71	3.69	23.14	3.76
	14	12	28.62	3.59	27.91	3.66	26.16	3.75	26.54	3.82	25.81	3.89
	23	19	29.55	3.64	28.82	3.71	27.59	3.79	27.44	3.87	26.70	3.94
	32	28	31.42	3.50	30.61	3.57	29.97	3.64	29.10	3.72	28.35	3.79
	41	37	32.97	3.34	32.11	3.41	31.46	3.47	30.58	3.55	29.82	3.62
	47	43	34.53	3.09	33.64	3.10	33.05	3.17	32.09	3.23	31.21	3.30
	50	47	31.39	2.77	30.58	2.79	30.04	2.85	29.18	2.91	28.37	2.97
	59	50	28.18	2.45	27.46	2.47	26.97	2.53	26.19	2.59	25.47	2.63
68	59	24.90	2.14	24.26	2.16	23.83	2.21	23.15	2.26	22.51	2.30	
75	65	17.96	1.52	17.50	1.54	17.19	1.58	16.69	1.61	16.23	1.64	
07 + 09 + 12	-13	-15	17.11	2.40	16.91	2.45	16.80	2.50	16.33	2.55	15.78	2.60
	-5	-7	20.83	2.94	20.29	2.99	19.79	3.07	19.39	3.12	18.80	3.18
	5	3	25.11	3.47	24.50	3.55	24.00	3.62	23.71	3.69	23.14	3.76
	14	12	29.01	3.64	28.29	3.71	26.52	3.80	26.91	3.87	26.16	3.94
	23	19	30.34	3.74	29.60	3.81	28.34	3.89	28.18	3.97	27.42	4.05
	32	28	32.68	3.64	31.84	3.71	31.16	3.79	30.27	3.87	29.48	3.95
	41	37	34.70	3.52	33.80	3.59	33.11	3.65	32.19	3.73	31.39	3.81
	47	43	36.77	3.29	35.83	3.31	35.19	3.38	34.18	3.44	33.23	3.51
	50	47	33.43	2.95	32.57	2.97	31.99	3.04	31.07	3.10	30.21	3.16
	59	50	30.01	2.61	29.24	2.63	28.72	2.70	27.89	2.76	27.12	2.80
68	59	26.52	2.28	25.84	2.30	25.38	2.35	24.65	2.40	23.97	2.45	
75	65	19.13	1.62	18.64	1.64	18.31	1.68	17.78	1.71	17.29	1.74	
07 + 12 + 12	-13	-15	17.11	2.40	16.91	2.45	16.80	2.50	16.33	2.55	15.78	2.60
	-5	-7	20.83	2.94	20.29	2.99	19.79	3.07	19.39	3.12	18.80	3.18
	5	3	25.11	3.47	24.50	3.55	24.00	3.62	23.71	3.69	23.14	3.76
	14	12	29.27	3.67	28.55	3.75	26.76	3.83	27.15	3.90	26.40	3.98
	23	19	30.88	3.80	30.12	3.88	28.83	3.96	28.68	4.04	27.90	4.12
	32	28	33.52	3.73	32.65	3.81	31.96	3.88	31.04	3.97	30.24	4.05
	41	37	35.86	3.64	34.93	3.71	34.22	3.77	33.27	3.86	32.44	3.93
	47	43	38.26	3.42	37.28	3.44	36.62	3.51	35.57	3.58	34.59	3.66
	50	47	34.79	3.07	33.89	3.09	33.29	3.16	32.33	3.23	31.44	3.29
	59	50	31.23	2.72	30.43	2.74	29.89	2.80	29.03	2.87	28.23	2.91
68	59	27.60	2.37	26.89	2.39	26.41	2.45	25.65	2.50	24.94	2.55	
75	65	19.90	1.68	19.39	1.70	19.05	1.75	18.50	1.78	17.99	1.81	
09 + 09 + 09	-13	-15	17.11	2.40	16.91	2.45	16.80	2.50	16.33	2.55	15.78	2.60
	-5	-7	20.83	2.94	20.29	2.99	19.79	3.07	19.39	3.12	18.80	3.18
	5	3	25.11	3.47	24.50	3.55	24.00	3.62	23.71	3.69	23.14	3.76
	14	12	28.62	3.59	27.91	3.66	26.16	3.75	26.54	3.82	25.81	3.89
	23	19	29.55	3.64	28.82	3.71	27.59	3.79	27.44	3.87	26.70	3.94
	32	28	31.42	3.50	30.61	3.57	29.97	3.64	29.10	3.72	28.35	3.79
	41	37	32.97	3.34	32.11	3.41	31.46	3.47	30.58	3.55	29.82	3.62
	47	43	34.53	3.09	33.64	3.10	33.05	3.17	32.09	3.23	31.21	3.30
	50	47	31.39	2.77	30.58	2.79	30.04	2.85	29.18	2.91	28.37	2.97
	59	50	28.18	2.45	27.46	2.47	26.97	2.53	26.19	2.59	25.47	2.63
68	59	24.90	2.14	24.26	2.16	23.83	2.21	23.15	2.26	22.51	2.30	
75	65	17.96	1.52	17.50	1.54	17.19	1.58	16.69	1.61	16.23	1.64	
09 + 09 + 12	-13	-15	17.11	2.40	16.91	2.45	16.80	2.50	16.33	2.55	15.78	2.60
	-5	-7	20.83	2.94	20.29	2.99	19.79	3.07	19.39	3.12	18.80	3.18
	5	3	25.11	3.47	24.50	3.55	24.00	3.62	23.71	3.69	23.14	3.76
	14	12	29.01	3.64	28.29	3.71	26.52	3.80	26.91	3.87	26.16	3.94
	23	19	30.34	3.74	29.60	3.81	28.34	3.89	28.18	3.97	27.42	4.05
	32	28	32.68	3.64	31.84	3.71	31.16	3.79	30.27	3.87	29.48	3.95
	41	37	34.70	3.52	33.80	3.59	33.11	3.65	32.19	3.73	31.39	3.81
	47	43	36.77	3.29	35.83	3.31	35.19	3.38	34.18	3.44	33.23	3.51
	50	47	33.43	2.95	32.57	2.97	31.99	3.04	31.07	3.10	30.21	3.16
	59	50	30.01	2.61	29.24	2.63	28.72	2.70	27.89	2.76	27.12	2.80
68	59	26.52	2.28	25.84	2.30	25.38	2.35	24.65	2.40	23.97	2.45	
75	65	19.13	1.62	18.64	1.64	18.31	1.68	17.78	1.71	17.29	1.74	

NOTES:

- Specifications are based on the following conditions.
 - Power source of specifications: 230 V
 - Pipe length: 24.6 ft (7.5 m), Height difference: 0 ft (0 m) [Outdoor unit—Indoor unit]
 - Indoor unit fan speed: HIGH
- 2 or more indoor units should be connected.
- The total ability of connected a indoor unit is from 21,000 Btu/h up to 31,000 Btu/h.
- Input in the table are calculated based on the maximum indoor unit input combinations.
- Capacity loss due to white frost and defrost operation is not included.

6-3. Model: WHP36M4A21S

Cooling

- TC: Total Capacity (Gross)
- SHC: Sensible Heat Capacity (Gross)
- IP: Input Power (Including the compressor, evaporator fan motor, and condenser fan motor)

OUTDOOR UNIT
WHP18-42M

OUTDOOR UNIT
WHP18-42M

Indoor unit connecting capacity	Outdoor temperature		Indoor temperature																	
			64 °FDB/54 °FWB			70 °FDB/60 °FWB			75 °FDB/63 °FWB			80 °FDB/67 °FWB			85 °FDB/71 °FWB			90 °FDB/73 °FWB		
			TC	SHC	IP	TC	SHC	IP	TC	SHC	IP	TC	SHC	IP	TC	SHC	IP	TC	SHC	IP
kBtu/h	°FDB	°FWB	kBtu/h	kW	kBtu/h	kW	kBtu/h	kW	kBtu/h	kW	kBtu/h	kW	kBtu/h	kW	kBtu/h	kW	kBtu/h	kW		
07 + 24	14	12	28.71	24.58	1.87	32.50	24.55	1.91	34.28	27.12	1.91	36.73	27.84	1.93	39.30	28.94	1.95	40.52	32.04	1.97
	23	21	28.19	23.98	2.03	31.89	23.95	2.05	33.65	26.46	2.07	36.06	27.78	2.09	38.58	28.43	2.13	39.78	31.65	2.13
	32	28	27.95	23.77	2.15	31.62	23.74	2.19	33.39	26.28	2.21	35.74	27.53	2.23	38.22	28.20	2.25	39.49	31.35	2.27
	41	37	27.60	23.61	2.39	31.23	23.57	2.43	32.96	26.05	2.45	35.31	27.35	2.48	37.78	27.99	2.50	38.95	31.16	2.52
	50	47	27.84	23.72	2.70	31.52	23.70	2.74	33.26	26.18	2.77	35.63	27.50	2.81	38.12	28.15	2.84	39.31	31.33	2.86
	59	50	29.42	24.50	2.98	33.31	24.47	3.04	35.14	27.04	3.08	37.64	28.39	3.08	40.27	29.71	3.13	41.53	32.34	3.15
	67	53	35.62	27.89	3.63	40.30	27.85	3.69	42.50	30.76	3.72	45.54	32.30	3.76	48.71	33.85	3.82	50.23	36.79	3.84
	77	62	34.53	27.43	4.18	39.07	27.40	4.26	41.20	30.26	4.30	44.15	31.78	4.34	47.22	33.07	4.39	48.69	36.19	4.41
	87	69	33.62	26.98	4.64	38.05	26.94	4.72	40.12	29.77	4.76	43.00	31.26	4.81	46.00	31.98	4.87	47.43	35.60	4.89
	95	75	32.67	25.88	4.83	36.97	25.84	4.93	39.00	28.55	4.97	41.11	29.97	5.01	44.69	30.67	5.07	46.08	34.15	5.10
	104	78	27.71	23.66	4.42	31.38	23.64	4.51	33.10	26.11	4.53	35.46	27.42	4.60	37.94	28.07	4.64	39.12	31.24	4.66
115	80	20.40	20.81	3.88	23.11	20.77	3.88	24.37	22.96	3.92	26.12	24.11	3.97	27.95	24.68	4.01	28.83	27.48	4.03	
09 + 24	14	12	28.71	24.58	1.87	32.50	24.55	1.91	34.28	27.12	1.91	36.73	27.84	1.93	39.30	28.94	1.95	40.52	32.04	1.97
	23	21	28.19	23.98	2.03	31.89	23.95	2.05	33.65	26.46	2.07	36.06	27.78	2.09	38.58	28.43	2.13	39.78	31.65	2.13
	32	28	27.95	23.77	2.15	31.62	23.74	2.19	33.39	26.28	2.21	35.74	27.53	2.23	38.22	28.20	2.25	39.49	31.35	2.27
	41	37	27.60	23.61	2.39	31.23	23.57	2.43	32.96	26.05	2.45	35.31	27.35	2.48	37.78	27.99	2.50	38.95	31.16	2.52
	50	47	27.84	23.72	2.70	31.52	23.70	2.74	33.26	26.18	2.77	35.63	27.50	2.81	38.12	28.15	2.84	39.31	31.33	2.86
	59	50	29.42	24.50	2.98	33.31	24.47	3.04	35.14	27.04	3.08	37.64	28.39	3.08	40.27	29.71	3.13	41.53	32.34	3.15
	67	53	35.62	27.89	3.63	40.30	27.85	3.69	42.50	30.76	3.72	45.54	32.30	3.76	48.71	33.85	3.82	50.23	36.79	3.84
	77	62	34.53	27.43	4.18	39.07	27.40	4.26	41.20	30.26	4.30	44.15	31.78	4.34	47.22	33.07	4.39	48.69	36.19	4.41
	87	69	33.62	26.98	4.64	38.05	26.94	4.72	40.12	29.77	4.76	43.00	31.26	4.81	46.00	31.98	4.87	47.43	35.60	4.89
	95	75	32.67	25.88	4.83	36.97	25.84	4.93	39.00	28.55	4.97	41.11	29.97	5.01	44.69	30.67	5.07	46.08	34.15	5.10
	104	78	27.71	23.66	4.42	31.38	23.64	4.51	33.10	26.11	4.53	35.46	27.42	4.60	37.94	28.07	4.64	39.12	31.24	4.66
115	80	20.40	20.81	3.88	23.11	20.77	3.88	24.37	22.96	3.92	26.12	24.11	3.97	27.95	24.68	4.01	28.83	27.48	4.03	
12 + 18	14	12	25.13	20.17	1.56	28.45	20.15	1.59	30.00	22.26	1.62	32.16	22.85	1.61	34.40	23.75	1.63	35.47	26.29	1.64
	23	21	24.67	19.68	1.69	27.92	19.65	1.71	29.46	21.71	1.73	31.57	22.79	1.74	33.77	23.33	1.78	34.82	25.98	1.78
	32	28	24.47	19.50	1.79	27.68	19.48	1.83	29.22	21.56	1.84	31.28	22.59	1.86	33.46	23.14	1.87	34.57	25.73	1.89
	41	37	24.16	19.37	1.99	27.34	19.35	2.03	28.85	21.38	2.05	30.91	22.45	2.06	33.07	22.97	2.08	34.09	25.57	2.10
	50	47	24.37	19.47	2.25	27.59	19.45	2.29	29.11	21.48	2.31	31.19	22.57	2.35	33.37	23.10	2.37	34.41	25.71	2.39
	59	50	25.75	20.11	2.48	29.16	20.08	2.54	30.76	22.19	2.57	32.95	23.30	2.57	35.25	24.38	2.61	36.35	26.54	2.62
	67	53	31.18	22.89	3.03	35.28	22.86	3.07	37.20	25.24	3.11	39.87	26.50	3.14	42.64	27.78	3.18	43.97	30.19	3.20
	77	62	30.23	22.51	3.48	34.20	22.48	3.55	36.06	24.83	3.59	38.65	26.08	3.62	41.34	27.14	3.66	42.62	29.70	3.67
	87	69	29.43	22.14	3.87	33.31	22.11	3.94	35.12	24.43	3.97	37.64	25.66	4.01	40.26	26.25	4.06	41.52	29.22	4.08
	95	75	28.60	21.23	4.03	32.36	21.21	4.11	34.14	23.43	4.15	35.99	24.60	4.18	39.12	25.17	4.23	40.34	28.02	4.25
	104	78	24.26	19.41	3.69	27.47	19.40	3.76	28.97	21.43	3.78	31.04	22.50	3.83	33.21	23.04	3.87	34.25	25.64	3.89
115	80	17.86	17.07	3.18	20.23	17.05	3.24	21.33	18.84	3.27	22.87	19.79	3.31	24.47	20.26	3.34	25.24	22.55	3.36	
12 + 24	14	12	29.48	24.43	1.91	33.37	24.39	1.95	35.19	26.95	1.95	37.71	27.66	1.97	40.35	28.75	1.99	41.60	31.83	2.01
	23	21	28.94	23.83	2.07	32.74	23.80	2.09	34.55	26.29	2.11	37.02	27.60	2.13	39.61	28.25	2.18	40.84	31.45	2.18
	32	28	28.70	23.62	2.20	32.46	23.59	2.24	34.28	26.11	2.26	36.69	27.35	2.28	39.24	28.02	2.30	40.54	31.15	2.32
	41	37	28.34	23.46	2.44	32.07	23.42	2.49	33.84	25.88	2.51	36.26	27.18	2.53	38.79	27.81	2.55	39.99	30.96	2.57
	50	47	28.58	23.57	2.75	32.36	23.55	2.80	34.15	26.01	2.83	36.58	27.32	2.87	39.14	27.97	2.90	40.36	31.13	2.92
	59	50	30.20	24.35	3.04	34.20	24.31	3.11	36.08	26.87	3.15	38.64	28.21	3.15	41.34	29.52	3.19	42.64	32.13	3.21
	67	53	36.57	27.71	3.71	41.38	27.67	3.77	43.63	30.56	3.80	46.76	32.09	3.84	50.01	33.63	3.90	51.57	36.55	3.92
	77	62	35.45	27.26	4.27	40.12	27.22	4.35	42.30	30.06	4.39	45.33	31.58	4.44	48.49	32.86	4.48	49.99	35.96	4.50
	87	69	34.51	26.80	4.74	39.07	26.77	4.82	41.20	29.58	4.87	44.15	31.06	4.91	47.22	31.78	4.97	48.70	35.37	4.99
	95	75	33.55	25.71	4.94	37.96	25.68	5.04	40.04	28.36	5.08	42.21	29.78	5.12	45.88	30.48	5.18	47.31	33.93	5.21
	104	78	28.45	23.50	4.52	32.22	23.49	4.61	33.98	25.95	4.63	36.40	27.24	4.70	38.96	27.89	4.74	40.17	31.04	4.76
115	80	20.95	20.67	3.90	23.73	20.64	3.97	25.02	22.81	4.01	26.82	23.96	4.05	28.70	24.52	4.09	29.60	27.31	4.12	
18 + 18	14	12	30.67	24.62	1.90	34.72	24.59	1.94	36.61	27.16	1.94	39.24	27.88	1.96	41.98	28.98	1.98	43.29	32.09	2.01
	23	21	30.11	24.02	2.06	34.07	23.98	2.09	35.95	26.50	2.11	38.52	27.82	2.13	41.21	28.47	2.17	42.50	31.70	2.17
	32	28	29.86	23.80	2.19	33.78	23.77	2.23	35.66	26.31	2.25	38.18	27.57	2.27	40.83	28.24	2.29	42.18	31.40	2.31
	41	37	29.49	23.64	2.43	33.37	23.61	2.48	35.20	26.09	2.50	37.72	27.39	2.52	40.36	28.03	2.54	41.60	31.21	2.56
	50	47	29.74	23.76	2.74	33.67	23.74	2.79	35.53	26.22	2.82	38.06	27.54	2.86	40.72	28.19	2.89	42.00	31.37	2.91
	59	50	31.43	24.54	3.03	35.58	24.51	3.10	37.54	27.08	3.14	40.21	28.44	3.14	43.02	29.76	3.18	44.36	32.38	3.20
	67	53	38.05	27.93	3.69	43.05	27.89	3.75	45.40	30.81	3.79	48.65	32.34	3.83	52.04	33.90	3.88	53.65	36.84	3.90
	77	62	36.89	27.47	4.25	41.74	27.44	4.33	44.01	30.30	4.38	47.16	31.83	4.42	50.45	33.12	4.46	52.01	36.25	4.48
	87	69	35.91	27.02	4.72	40.65	26.98	4.80	42.86	29.81	4.85	45.94	31.31	4.89	49.13	32.03	4.95	50.67	35.65	4.98
	95	75	34.90	25.91	4.92	39.49	25.88	5.02	41.66	28.59	5.06	43.92	30.02	5.10	47.74	30.72	5.16	49.22	34.20	5.19
	104	78	29.61	23.69	4.50	33.52	23.67	4.59	35.36	26.15	4.61	37.88	27.46	4.68	40.53	28.11	4.72	41.79	31.29	4.74
115	80	21.79	20.84	3.89	24.69	20.80	3.95	26.03	2											

OUTDOOR UNIT
WHP18-42M

OUTDOOR UNIT
WHP18-42M

Indoor unit connecting capacity	Outdoor temperature		Indoor temperature																	
			64 °FDB/54 °FWB			70 °FDB/60 °FWB			75 °FDB/63 °FWB			80 °FDB/67 °FWB			85 °FDB/71 °FWB			90 °FDB/73 °FWB		
			TC	SHC	IP	TC	SHC	IP	TC	SHC	IP	TC	SHC	IP	TC	SHC	IP	TC	SHC	IP
kBtu/h	°FDB	°FWB	kBtu/h	kW	kBtu/h	kW	kBtu/h	kW	kBtu/h	kW	kBtu/h	kW	kBtu/h	kW	kBtu/h	kW	kBtu/h	kW		
07 + 07 + 18	14	12	27.94	22.43	1.73	31.63	22.40	1.77	33.36	24.75	1.77	35.75	25.40	1.79	38.25	26.40	1.81	39.44	29.23	1.83
	23	21	27.43	21.88	1.88	31.04	21.85	1.90	32.75	24.14	1.92	35.10	25.34	1.94	37.55	25.94	1.97	38.72	28.88	1.97
	32	28	27.21	21.69	1.99	30.77	21.66	2.03	32.49	23.98	2.05	34.78	25.12	2.07	37.20	25.73	2.08	38.44	28.61	2.10
	41	37	26.87	21.54	2.22	30.40	21.51	2.26	32.08	23.77	2.28	34.37	24.96	2.29	36.77	25.54	2.31	37.91	28.44	2.33
	50	47	27.10	21.64	2.50	30.68	21.63	2.54	32.37	23.89	2.57	34.68	25.09	2.61	37.10	25.69	2.63	38.26	28.58	2.65
	59	50	28.63	22.36	2.76	32.42	22.33	2.82	34.20	24.68	2.86	36.63	25.91	2.86	39.19	27.11	2.90	40.42	29.51	2.92
	67	53	34.66	25.45	3.37	39.22	25.41	3.42	41.36	28.07	3.45	44.33	29.47	3.49	47.41	30.88	3.54	48.88	33.57	3.56
	77	62	33.61	25.03	3.87	38.03	25.00	3.95	40.10	27.61	3.99	42.97	29.00	4.03	45.96	30.18	4.07	47.39	33.03	4.09
	87	69	32.72	24.61	4.30	37.03	24.58	4.38	39.05	27.16	4.42	41.85	28.53	4.46	44.77	29.18	4.51	46.17	32.48	4.53
	95	75	31.80	23.61	4.48	35.98	23.58	4.57	37.96	26.05	4.61	40.02	27.35	4.65	43.50	27.99	4.71	44.85	31.16	4.72
	104	78	26.97	21.58	4.10	30.54	21.57	4.18	32.21	23.83	4.20	34.51	25.02	4.26	36.93	25.61	4.30	38.08	28.51	4.32
115	80	19.86	18.98	3.54	22.49	18.95	3.60	23.72	20.95	3.64	25.42	22.00	3.68	27.21	22.52	3.72	28.06	25.08	3.74	
07 + 07 + 24	14	12	28.97	23.25	1.79	32.79	23.22	1.83	34.58	25.66	1.83	37.06	26.33	1.85	39.65	27.37	1.87	40.88	30.30	1.89
	23	21	28.44	22.68	1.95	32.18	22.65	1.97	33.95	25.02	1.99	36.38	26.27	2.01	38.92	26.89	2.05	40.14	29.94	2.05
	32	28	28.20	22.48	2.07	31.90	22.45	2.10	33.68	24.85	2.12	36.05	26.04	2.14	38.56	26.67	2.16	39.84	29.65	2.18
	41	37	27.85	22.33	2.30	31.51	22.30	2.34	33.25	24.64	2.36	35.63	25.87	2.38	38.12	26.47	2.40	39.29	29.48	2.42
	50	47	28.09	22.44	2.59	31.80	22.42	2.64	33.55	24.76	2.66	35.95	26.01	2.70	38.46	26.63	2.73	39.66	29.63	2.75
	59	50	29.68	23.18	2.86	33.60	23.14	2.92	35.45	25.58	2.96	37.97	26.86	2.96	40.63	28.10	3.00	41.90	30.58	3.02
	67	53	35.93	26.38	3.49	40.66	26.34	3.54	42.88	29.09	3.58	45.95	30.55	3.61	49.15	32.01	3.67	50.67	34.80	3.69
	77	62	34.84	25.95	4.01	39.42	25.91	4.09	41.57	28.62	4.13	44.54	30.06	4.17	47.64	31.28	4.21	49.12	34.23	4.23
	87	69	33.92	25.52	4.46	38.39	25.48	4.54	40.48	28.16	4.58	43.38	29.57	4.62	46.41	30.25	4.68	47.86	33.67	4.70
	95	75	32.97	24.47	4.65	37.30	24.44	4.74	39.35	27.00	4.78	41.48	28.35	4.82	45.09	29.01	4.88	46.49	32.30	4.90
	104	78	27.96	22.37	4.25	31.66	22.36	4.33	33.39	24.70	4.35	35.77	25.93	4.42	38.28	26.55	4.46	39.47	29.55	4.48
115	80	20.58	19.68	3.67	23.32	19.65	3.73	24.58	21.71	3.77	26.35	22.81	3.81	28.20	23.34	3.85	29.09	25.99	3.87	
07 + 09 + 18	14	12	27.94	22.43	1.73	31.63	22.40	1.77	33.36	24.75	1.77	35.75	25.40	1.79	38.25	26.40	1.81	39.44	29.23	1.83
	23	21	27.43	21.88	1.88	31.04	21.85	1.90	32.75	24.14	1.92	35.10	25.34	1.94	37.55	25.94	1.97	38.72	28.88	1.97
	32	28	27.21	21.69	1.99	30.77	21.66	2.03	32.49	23.98	2.05	34.78	25.12	2.07	37.20	25.73	2.08	38.44	28.61	2.10
	41	37	26.87	21.54	2.22	30.40	21.51	2.26	32.08	23.77	2.28	34.37	24.96	2.29	36.77	25.54	2.31	37.91	28.44	2.33
	50	47	27.10	21.64	2.50	30.68	21.63	2.54	32.37	23.89	2.57	34.68	25.09	2.61	37.10	25.69	2.63	38.26	28.58	2.65
	59	50	28.63	22.36	2.76	32.42	22.33	2.82	34.20	24.68	2.86	36.63	25.91	2.86	39.19	27.11	2.90	40.42	29.51	2.92
	67	53	34.66	25.45	3.37	39.22	25.41	3.42	41.36	28.07	3.45	44.33	29.47	3.49	47.41	30.88	3.54	48.88	33.57	3.56
	77	62	33.61	25.03	3.87	38.03	25.00	3.95	40.10	27.61	3.99	42.97	29.00	4.03	45.96	30.18	4.07	47.39	33.03	4.09
	87	69	32.72	24.61	4.30	37.03	24.58	4.38	39.05	27.16	4.42	41.85	28.53	4.46	44.77	29.18	4.51	46.17	32.48	4.53
	95	75	31.80	23.61	4.48	35.98	23.58	4.57	37.96	26.05	4.61	40.02	27.35	4.65	43.50	27.99	4.71	44.85	31.16	4.72
	104	78	26.97	21.58	4.10	30.54	21.57	4.18	32.21	23.83	4.20	34.51	25.02	4.26	36.93	25.61	4.30	38.08	28.51	4.32
115	80	19.86	18.98	3.54	22.49	18.95	3.60	23.72	20.95	3.64	25.42	22.00	3.68	27.21	22.52	3.72	28.06	25.08	3.74	
07 + 09 + 24	14	12	28.97	23.25	1.79	32.79	23.22	1.83	34.58	25.66	1.83	37.06	26.33	1.85	39.65	27.37	1.87	40.88	30.30	1.89
	23	21	28.44	22.68	1.95	32.18	22.65	1.97	33.95	25.02	1.99	36.38	26.27	2.01	38.92	26.89	2.05	40.14	29.94	2.05
	32	28	28.20	22.48	2.07	31.90	22.45	2.10	33.68	24.85	2.12	36.05	26.04	2.14	38.56	26.67	2.16	39.84	29.65	2.18
	41	37	27.85	22.33	2.30	31.51	22.30	2.34	33.25	24.64	2.36	35.63	25.87	2.38	38.12	26.47	2.40	39.29	29.48	2.42
	50	47	28.09	22.44	2.59	31.80	22.42	2.64	33.55	24.76	2.66	35.95	26.01	2.70	38.46	26.63	2.73	39.66	29.63	2.75
	59	50	29.68	23.18	2.86	33.60	23.14	2.92	35.45	25.58	2.96	37.97	26.86	2.96	40.63	28.10	3.00	41.90	30.58	3.02
	67	53	35.93	26.38	3.49	40.66	26.34	3.54	42.88	29.09	3.58	45.95	30.55	3.61	49.15	32.01	3.67	50.67	34.80	3.69
	77	62	34.84	25.95	4.01	39.42	25.91	4.09	41.57	28.62	4.13	44.54	30.06	4.17	47.64	31.28	4.21	49.12	34.23	4.23
	87	69	33.92	25.52	4.46	38.39	25.48	4.54	40.48	28.16	4.58	43.38	29.57	4.62	46.41	30.25	4.68	47.86	33.67	4.70
	95	75	32.97	24.47	4.65	37.30	24.44	4.74	39.35	27.00	4.78	41.48	28.35	4.82	45.09	29.01	4.88	46.49	32.30	4.90
	104	78	27.96	22.37	4.25	31.66	22.36	4.33	33.39	24.70	4.35	35.77	25.93	4.42	38.28	26.55	4.46	39.47	29.55	4.48
115	80	20.58	19.68	3.67	23.32	19.65	3.73	24.58	21.71	3.77	26.35	22.81	3.81	28.20	23.34	3.85	29.09	25.99	3.87	
07 + 09 + 12	14	12	27.94	22.43	1.73	31.63	22.40	1.77	33.36	24.75	1.77	35.75	25.40	1.79	38.25	26.40	1.81	39.44	29.23	1.83
	23	21	27.43	21.88	1.88	31.04	21.85	1.90	32.75	24.14	1.92	35.10	25.34	1.94	37.55	25.94	1.97	38.72	28.88	1.97
	32	28	27.21	21.69	1.99	30.77	21.66	2.03	32.49	23.98	2.05	34.78	25.12	2.07	37.20	25.73	2.08	38.44	28.61	2.10
	41	37	26.87	21.54	2.22	30.40	21.51	2.26	32.08	23.77	2.28	34.37	24.96	2.29	36.77	25.54	2.31	37.91	28.44	2.33
	50	47	27.10	21.64	2.50	30.68	21.63	2.54	32.37	23.89	2.57	34.68	25.09	2.61	37.10	25.69	2.63	38.26	28.58	2.65
	59	50	28.63	22.36	2.76	32.42	22.33	2.82	34.20	24.68	2.86	36.63	25.91	2.86	39.19	27.11	2.90	40.42	29.51	2.92
	67	53	34.66	25.45	3.37	39.22	25.41	3.42	41.36	28.07	3.45	44.33	29.47	3.49	47.41	30.88	3.54	48.88	33.57	3.56
	77	62	33.61	25.03	3.87	38.03	25.00	3.95	40.10	27.61	3.99	42.97	29.00	4.03	45.96	30.18	4.07	47.39	33.03	4.09
	87	69	32.72	24.61	4.30	37.03	24.58	4.38	39.05	27.16	4.42	41.85	28.53	4.46	44.77	29.18	4.51	46.17	32.48	4.53
	95	75	31.80	23.61	4.48	35.98	23.58	4.57	37.96	26.05	4.61	40.02	27.35	4.65	43.50	27.99	4.71	44.85	31.16	4.72
	104	78	26.97	21.58	4.10	30.54	21.57	4.18	32.21	23.83	4.20	34.51	25.02	4.26	36.93	25.61	4.30	38.08	28.51	4.32
115	80	19.86	18.98	3.54	22.49	18.95	3.60	23.72	20.95	3.64	25.42	22.00	3.68	27.21	22.52	3.72	28.06	25.08	3.74	
07 + 12 + 12	14	12	28.97	23.25	1.79	32														

OUTDOOR UNIT
WHP18-42M

OUTDOOR UNIT
WHP18-42M

Indoor unit connecting capacity	Outdoor temperature		Indoor temperature																	
			64 °FDB/54 °FWB			70 °FDB/60 °FWB			75 °FDB/63 °FWB			80 °FDB/67 °FWB			85 °FDB/71 °FWB			90 °FDB/73 °FWB		
			TC	SHC	IP	TC	SHC	IP	TC	SHC	IP	TC	SHC	IP	TC	SHC	IP	TC	SHC	IP
kBtu/h	°FDB	°FWB	kBtu/h	kW	kBtu/h	kW	kBtu/h	kW	kBtu/h	kW	kBtu/h	kW	kBtu/h	kW	kBtu/h	kW	kBtu/h	kW		
07 + 18 + 18	14	12	30.24	24.28	1.95	34.23	24.25	2.00	36.11	26.79	2.00	38.70	27.50	2.02	41.40	28.58	2.04	42.68	31.64	2.06
	23	21	29.69	23.68	2.13	33.60	23.65	2.15	35.45	26.13	2.17	37.99	27.43	2.19	40.64	28.07	2.23	41.91	31.26	2.23
	32	28	29.45	23.47	2.25	33.31	23.44	2.29	35.17	25.95	2.31	37.65	27.19	2.33	40.26	27.85	2.35	41.60	30.96	2.37
	41	37	29.08	23.31	2.50	32.90	23.28	2.55	34.72	25.73	2.57	37.20	27.01	2.59	39.80	27.64	2.61	41.03	30.78	2.64
	50	47	29.33	23.43	2.82	33.21	23.41	2.87	35.03	25.85	2.90	37.54	27.16	2.95	40.15	27.80	2.97	41.41	30.94	3.00
	59	50	30.99	24.20	3.12	35.08	24.17	3.19	37.01	26.71	3.23	39.65	28.04	3.23	42.42	29.34	3.27	43.75	31.93	3.30
	67	53	37.52	27.54	3.80	42.45	27.51	3.86	44.77	30.38	3.90	47.97	31.89	3.94	51.31	33.43	4.00	52.91	36.33	4.02
	77	62	36.37	27.09	4.37	41.16	27.06	4.46	43.40	29.88	4.50	46.51	31.38	4.55	49.75	32.66	4.59	51.29	35.74	4.61
	87	69	35.41	26.64	4.86	40.08	26.61	4.94	42.27	29.40	4.99	45.30	30.87	5.03	48.45	31.59	5.10	49.97	35.16	5.12
	95	75	34.42	25.55	5.06	38.95	25.52	5.17	41.09	28.19	5.21	43.31	29.60	5.25	47.08	30.29	5.32	48.54	33.72	5.34
	104	78	29.19	23.36	4.63	33.05	23.35	4.72	34.87	25.79	4.75	37.35	27.08	4.81	39.97	27.72	4.86	41.21	30.86	4.88
115	80	21.49	20.55	4.00	24.34	20.51	4.07	25.67	22.67	4.11	27.52	23.81	4.15	29.45	24.37	4.20	30.37	27.14	4.22	
09 + 09 + 12	14	12	25.56	20.52	1.58	28.93	20.49	1.62	30.51	22.64	1.62	32.70	23.24	1.64	34.98	24.15	1.65	36.07	26.74	1.67
	23	21	25.09	20.01	1.72	28.39	19.99	1.74	29.96	22.08	1.75	32.10	23.18	1.77	34.34	23.72	1.81	35.41	26.42	1.81
	32	28	24.88	19.84	1.82	28.15	19.81	1.86	29.72	21.93	1.87	31.81	22.98	1.89	34.02	23.54	1.91	35.15	26.16	1.92
	41	37	24.57	19.70	2.03	27.81	19.67	2.06	29.34	21.74	2.08	31.44	22.83	2.10	33.63	23.36	2.12	34.67	26.01	2.13
	50	47	24.78	19.80	2.29	28.06	19.78	2.33	29.61	21.85	2.35	31.72	22.95	2.39	33.93	23.49	2.41	35.00	26.14	2.43
	59	50	26.19	20.45	2.53	29.65	20.42	2.58	31.28	22.57	2.62	33.51	23.70	2.62	35.85	24.80	2.65	36.97	26.99	2.67
	67	53	31.71	23.27	3.08	35.88	23.25	3.13	37.83	25.67	3.16	40.54	26.95	3.19	43.36	28.25	3.24	44.71	30.70	3.25
	77	62	30.74	22.89	3.54	34.78	22.87	3.61	36.68	25.25	3.65	39.30	26.52	3.68	42.04	27.60	3.72	43.34	30.21	3.74
	87	69	29.93	22.51	3.93	33.87	22.48	4.00	35.72	24.85	4.04	38.28	26.09	4.07	40.95	26.69	4.13	42.23	29.71	4.15
	95	75	29.09	21.59	4.10	32.91	21.57	4.18	34.72	23.82	4.22	36.60	25.01	4.25	39.78	25.60	4.30	41.02	28.50	4.32
	104	78	24.67	19.74	3.75	27.93	19.73	3.82	29.46	21.79	3.84	31.56	22.88	3.90	33.78	23.43	3.94	34.83	26.08	3.95
115	80	18.16	17.36	3.24	20.57	17.34	3.29	21.69	19.16	3.33	23.25	20.12	3.36	24.88	20.60	3.40	25.66	22.94	3.42	
09 + 09 + 24	14	12	28.97	23.25	1.79	32.79	23.22	1.83	34.58	25.66	1.83	37.06	26.33	1.85	39.65	27.37	1.87	40.88	30.30	1.89
	23	21	28.44	22.68	1.95	32.18	22.65	1.97	33.95	25.02	1.99	36.38	26.27	2.01	38.92	26.89	2.05	40.14	29.94	2.05
	32	28	28.20	22.48	2.07	31.90	22.45	2.10	33.68	24.85	2.12	36.05	26.04	2.14	38.56	26.67	2.16	39.84	29.65	2.18
	41	37	27.85	22.33	2.30	31.51	22.30	2.34	33.25	24.64	2.36	35.63	25.87	2.38	38.12	26.47	2.40	39.29	29.48	2.42
	50	47	28.09	22.44	2.59	31.80	22.42	2.64	33.55	24.76	2.66	35.95	26.01	2.70	38.46	26.63	2.73	39.66	29.63	2.75
	59	50	29.68	23.18	2.86	33.60	23.14	2.92	35.45	25.58	2.96	37.97	26.86	2.96	40.63	28.10	3.00	41.90	30.58	3.02
	67	53	35.93	26.38	3.49	40.66	26.34	3.54	42.88	29.09	3.58	45.95	30.55	3.61	49.15	32.01	3.67	50.67	34.80	3.69
	77	62	34.84	25.95	4.01	39.42	25.91	4.09	41.57	28.62	4.13	44.54	30.06	4.17	47.64	31.28	4.21	49.12	34.23	4.23
	87	69	33.92	25.52	4.46	38.39	25.48	4.54	40.48	28.16	4.58	43.38	29.57	4.62	46.41	30.25	4.68	47.86	33.67	4.70
	95	75	32.97	24.47	4.65	37.30	24.44	4.74	39.35	27.00	4.78	41.48	28.35	4.82	45.09	29.01	4.88	46.49	32.30	4.90
	104	78	27.96	22.37	4.25	31.66	22.36	4.33	33.39	24.70	4.35	35.77	25.93	4.42	38.28	26.55	4.46	39.47	29.55	4.48
115	80	20.58	19.68	3.67	23.32	19.65	3.73	24.58	21.71	3.77	26.35	22.81	3.81	28.20	23.34	3.85	29.09	25.99	3.87	
09 + 09 + 18	14	12	27.94	22.43	1.73	31.63	22.40	1.77	33.36	24.75	1.77	35.75	25.40	1.79	38.25	26.40	1.81	39.44	29.23	1.83
	23	21	27.43	21.88	1.88	31.04	21.85	1.90	32.75	24.14	1.92	35.10	25.34	1.94	37.55	25.94	1.97	38.72	28.88	1.97
	32	28	27.21	21.69	1.99	30.77	21.66	2.03	32.49	23.98	2.05	34.78	25.12	2.07	37.20	25.73	2.08	38.44	28.61	2.10
	41	37	26.87	21.54	2.22	30.40	21.51	2.26	32.08	23.77	2.28	34.37	24.96	2.29	36.77	25.54	2.31	37.91	28.44	2.33
	50	47	27.10	21.64	2.50	30.68	21.63	2.54	32.37	23.89	2.57	34.68	25.09	2.61	37.10	25.69	2.63	38.26	28.58	2.65
	59	50	28.63	22.36	2.76	32.42	22.33	2.82	34.20	24.68	2.86	36.63	25.91	2.86	39.19	27.11	2.90	40.42	29.51	2.92
	67	53	34.66	25.45	3.37	39.22	25.41	3.42	41.36	28.07	3.45	44.33	29.47	3.49	47.41	30.88	3.54	48.88	33.57	3.56
	77	62	33.61	25.03	3.87	38.03	25.00	3.95	40.10	27.61	3.99	42.97	29.00	4.03	45.96	30.18	4.07	47.39	33.03	4.09
	87	69	32.72	24.61	4.30	37.03	24.58	4.38	39.05	27.16	4.42	41.85	28.53	4.46	44.77	29.18	4.51	46.17	32.48	4.53
	95	75	31.80	23.61	4.48	35.98	23.58	4.57	37.96	26.05	4.61	40.02	27.35	4.65	43.50	27.99	4.71	44.85	31.16	4.72
	104	78	26.97	21.58	4.10	30.54	21.57	4.18	32.21	23.83	4.20	34.51	25.02	4.26	36.93	25.61	4.30	38.08	28.51	4.32
115	80	19.86	18.98	3.54	22.49	18.95	3.60	23.72	20.95	3.64	25.42	22.00	3.68	27.21	22.52	3.72	28.06	25.08	3.74	
09 + 12 + 12	14	12	27.43	22.02	1.70	31.05	21.99	1.74	32.75	24.30	1.74	35.10	24.94	1.76	37.55	25.92	1.78	38.72	28.70	1.79
	23	21	26.93	21.48	1.85	30.47	21.45	1.87	32.15	23.70	1.88	34.45	24.88	1.90	36.86	25.46	1.94	38.01	28.35	1.94
	32	28	26.71	21.29	1.96	30.21	21.26	1.99	31.90	23.54	2.01	34.15	24.66	2.03	36.52	25.26	2.05	37.73	28.08	2.06
	41	37	26.37	21.15	2.18	29.84	21.12	2.21	31.49	23.33	2.23	33.74	24.50	2.25	36.10	25.07	2.27	37.21	27.92	2.29
	50	47	26.60	21.25	2.45	30.12	21.23	2.50	31.78	23.45	2.52	34.05	24.63	2.56	36.42	25.22	2.58	37.56	28.06	2.60
	59	50	28.11	21.95	2.71	31.82	21.92	2.77	33.57	24.22	2.81	35.96	25.44	2.81	38.48	26.62	2.85	39.68	28.97	2.86
	67	53	34.03	24.98	3.30	38.51	24.95	3.36	40.61	27.55	3.39	43.51	28.93	3.42	46.54	30.32	3.47	47.99	32.95	3.49
	77	62	32.99	24.57	3.80	37.33	24.54	3.88	39.37	27.10	3.92	42.18	28.47	3.95	45.12	29.62	3.99	46.52	32.42	4.01
	87	69	32.12	24.16	4.22	36.36	24.13	4.30	38.34	26.67	4.34	41.09	28.00	4.37	43.95	28.65	4.43	45.32	31.89	4.45
	95	75	31.22	23.18	4.40	35.33	23.15	4.49	37.27	25.57	4.53	39.28	26.85	4.56	42.70	27.48	4.62	44.03	30.59	4.64
	104	78	26.48	21.19	4.02	29.98	21.18	4.10	31.63	23.39	4.12	33.88	24.56	4.18	36.25	25.14	4.22	37.38	27.99	4.24
115	80	19.49	18.64	3.48	22.08	18.61	3.53	23.28	20.56	3.57	24.96	21.60	3.61	26.71	22.11	3.65	27.55	24.62	3.67	
09 + 12 + 18	14	12	28.54	22.91																

OUTDOOR UNIT
WHP18-42M

OUTDOOR UNIT
WHP18-42M

Indoor unit connecting capacity	Outdoor temperature		Indoor temperature																	
			64 °FDB/54 °FWB			70 °FDB/60 °FWB			75 °FDB/63 °FWB			80 °FDB/67 °FWB			85 °FDB/71 °FWB			90 °FDB/73 °FWB		
			TC	SHC	IP	TC	SHC	IP	TC	SHC	IP	TC	SHC	IP	TC	SHC	IP	TC	SHC	IP
kBtu/h	°FDB	°FWB	kBtu/h	kW	kBtu/h	kW	kBtu/h	kW	kBtu/h	kW	kBtu/h	kW	kBtu/h	kW	kBtu/h	kW	kBtu/h	kW		
09 + 18 + 18	14	12	30.24	24.28	1.95	34.23	24.25	2.00	36.11	26.79	2.00	38.70	27.50	2.02	41.40	28.58	2.04	42.68	31.64	2.06
	23	21	29.69	23.68	2.13	33.60	23.65	2.15	35.45	26.13	2.17	37.99	27.43	2.19	40.64	28.07	2.23	41.91	31.26	2.23
	32	28	29.45	23.47	2.25	33.31	23.44	2.29	35.17	25.95	2.31	37.65	27.19	2.33	40.26	27.85	2.35	41.60	30.96	2.37
	41	37	29.08	23.31	2.50	32.90	23.28	2.55	34.72	25.73	2.57	37.20	27.01	2.59	39.80	27.64	2.61	41.03	30.78	2.64
	50	47	29.33	23.43	2.82	33.21	23.41	2.87	35.03	25.85	2.90	37.54	27.16	2.95	40.15	27.80	2.97	41.41	30.94	3.00
	59	50	30.99	24.20	3.12	35.08	24.17	3.19	37.01	26.71	3.23	39.65	28.04	3.23	42.42	29.34	3.27	43.75	31.93	3.30
	67	53	37.52	27.54	3.80	42.45	27.51	3.86	44.77	30.38	3.90	47.97	31.89	3.94	51.31	33.43	4.00	52.91	36.33	4.02
	77	62	36.37	27.09	4.37	41.16	27.06	4.46	43.40	29.88	4.50	46.51	31.38	4.55	49.75	32.66	4.59	51.29	35.74	4.61
	87	69	35.41	26.64	4.86	40.08	26.61	4.94	42.27	29.40	4.99	45.30	30.87	5.03	48.45	31.59	5.10	49.97	35.16	5.12
	95	75	34.42	25.55	5.06	38.95	25.52	5.17	41.09	28.19	5.21	43.31	29.60	5.25	47.08	30.29	5.32	48.54	33.72	5.34
	104	78	29.19	23.36	4.63	33.05	23.35	4.72	34.87	25.79	4.75	37.35	27.08	4.81	39.97	27.72	4.86	41.21	30.86	4.88
115	80	21.49	20.55	4.00	24.34	20.51	4.07	25.67	22.67	4.11	27.52	23.81	4.15	29.45	24.37	4.20	30.37	27.14	4.22	
12 + 12 + 12	14	12	27.94	22.43	1.73	31.63	22.40	1.77	33.36	24.75	1.77	35.75	25.40	1.79	38.25	26.40	1.81	39.44	29.23	1.83
	23	21	27.43	21.88	1.88	31.04	21.85	1.90	32.75	24.14	1.92	35.10	25.34	1.94	37.55	25.94	1.97	38.72	28.88	1.97
	32	28	27.21	21.69	1.99	30.77	21.66	2.03	32.49	23.98	2.05	34.78	25.12	2.07	37.20	25.73	2.08	38.44	28.61	2.10
	41	37	26.87	21.54	2.22	30.40	21.51	2.26	32.08	23.77	2.28	34.37	24.96	2.29	36.77	25.54	2.31	37.91	28.44	2.33
	50	47	27.10	21.64	2.50	30.68	21.63	2.54	32.37	23.89	2.57	34.68	25.09	2.61	37.10	25.69	2.63	38.26	28.58	2.65
	59	50	28.63	22.36	2.76	32.42	22.33	2.82	34.20	24.68	2.86	36.63	25.91	2.86	39.19	27.11	2.90	40.42	29.51	2.92
	67	53	34.66	25.45	3.37	39.22	25.41	3.42	41.36	28.07	3.45	44.33	29.47	3.49	47.41	30.88	3.54	48.88	33.57	3.56
	77	62	33.61	25.03	3.87	38.03	25.00	3.95	40.10	27.61	3.99	42.97	29.00	4.03	45.96	30.18	4.07	47.39	33.03	4.09
	87	69	32.72	24.61	4.30	37.03	24.58	4.38	39.05	27.16	4.42	41.85	28.53	4.46	44.77	29.18	4.51	46.17	32.48	4.53
	95	75	31.80	23.61	4.48	35.98	23.58	4.57	37.96	26.05	4.61	40.02	27.35	4.65	43.50	27.99	4.71	44.85	31.16	4.72
	104	78	26.97	21.58	4.10	30.54	21.57	4.18	32.21	23.83	4.20	34.51	25.02	4.26	36.93	25.61	4.30	38.08	28.51	4.32
115	80	19.86	18.98	3.54	22.49	18.95	3.60	23.72	20.95	3.64	25.42	22.00	3.68	27.21	22.52	3.72	28.06	25.08	3.74	
12 + 12 + 18	14	12	28.97	23.25	1.79	32.79	23.22	1.83	34.58	25.66	1.83	37.06	26.33	1.85	39.65	27.37	1.87	40.88	30.30	1.89
	23	21	28.44	22.68	1.95	32.18	22.65	1.97	33.95	25.02	1.99	36.38	26.27	2.01	38.92	26.89	2.05	40.14	29.94	2.05
	32	28	28.20	22.48	2.07	31.90	22.45	2.10	33.68	24.85	2.12	36.05	26.04	2.14	38.56	26.67	2.16	39.84	29.65	2.18
	41	37	27.85	22.33	2.30	31.51	22.30	2.34	33.25	24.64	2.36	35.63	25.87	2.38	38.12	26.47	2.40	39.29	29.48	2.42
	50	47	28.09	22.44	2.59	31.80	22.42	2.64	33.55	24.76	2.66	35.95	26.01	2.70	38.46	26.63	2.73	39.66	29.63	2.75
	59	50	29.68	23.18	2.86	33.60	23.14	2.92	35.45	25.58	2.96	37.97	26.86	2.96	40.63	28.10	3.00	41.90	30.58	3.02
	67	53	35.93	26.38	3.49	40.66	26.34	3.54	42.88	29.09	3.58	45.95	30.55	3.61	49.15	32.01	3.67	50.67	34.80	3.69
	77	62	34.84	25.95	4.01	39.42	25.91	4.09	41.57	28.62	4.13	44.54	30.06	4.17	47.64	31.28	4.21	49.12	34.23	4.23
	87	69	33.92	25.52	4.46	38.39	25.48	4.54	40.48	28.16	4.58	43.38	29.57	4.62	46.41	30.25	4.68	47.86	33.67	4.70
	95	75	32.97	24.47	4.65	37.30	24.44	4.74	39.35	27.00	4.78	41.48	28.35	4.82	45.09	29.01	4.88	46.49	32.30	4.90
	104	78	27.96	22.37	4.25	31.66	22.36	4.33	33.39	24.70	4.35	35.77	25.93	4.42	38.28	26.55	4.46	39.47	29.55	4.48
115	80	20.58	19.68	3.67	23.32	19.65	3.73	24.58	21.71	3.77	26.35	22.81	3.81	28.20	23.34	3.85	29.09	25.99	3.87	
07 + 07 + 07 + 09	14	12	27.94	22.43	1.73	31.63	22.40	1.77	33.36	24.75	1.77	35.75	25.40	1.79	38.25	26.40	1.81	39.44	29.23	1.83
	23	21	27.43	21.88	1.88	31.04	21.85	1.90	32.75	24.14	1.92	35.10	25.34	1.94	37.55	25.94	1.97	38.72	28.88	1.97
	32	28	27.21	21.69	1.99	30.77	21.66	2.03	32.49	23.98	2.05	34.78	25.12	2.07	37.20	25.73	2.08	38.44	28.61	2.10
	41	37	26.87	21.54	2.22	30.40	21.51	2.26	32.08	23.77	2.28	34.37	24.96	2.29	36.77	25.54	2.31	37.91	28.44	2.33
	50	47	27.10	21.64	2.50	30.68	21.63	2.54	32.37	23.89	2.57	34.68	25.09	2.61	37.10	25.69	2.63	38.26	28.58	2.65
	59	50	28.63	22.36	2.76	32.42	22.33	2.82	34.20	24.68	2.86	36.63	25.91	2.86	39.19	27.11	2.90	40.42	29.51	2.92
	67	53	34.66	25.45	3.37	39.22	25.41	3.42	41.36	28.07	3.45	44.33	29.47	3.49	47.41	30.88	3.54	48.88	33.57	3.56
	77	62	33.61	25.03	3.87	38.03	25.00	3.95	40.10	27.61	3.99	42.97	29.00	4.03	45.96	30.18	4.07	47.39	33.03	4.09
	87	69	32.72	24.61	4.30	37.03	24.58	4.38	39.05	27.16	4.42	41.85	28.53	4.46	44.77	29.18	4.51	46.17	32.48	4.53
	95	75	31.80	23.61	4.48	35.98	23.58	4.57	37.96	26.05	4.61	40.02	27.35	4.65	43.50	27.99	4.71	44.85	31.16	4.72
	104	78	26.97	21.58	4.10	30.54	21.57	4.18	32.21	23.83	4.20	34.51	25.02	4.26	36.93	25.61	4.30	38.08	28.51	4.32
115	80	19.86	18.98	3.54	22.49	18.95	3.60	23.72	20.95	3.64	25.42	22.00	3.68	27.21	22.52	3.72	28.06	25.08	3.74	
07 + 07 + 07 + 12	14	12	28.54	22.91	1.77	32.30	22.88	1.81	34.07	25.28	1.81	36.52	25.95	1.83	39.07	26.97	1.85	40.28	29.86	1.87
	23	21	28.02	22.35	1.92	31.70	22.32	1.94	33.45	24.66	1.96	35.85	25.89	1.98	38.35	26.49	2.02	39.55	29.50	2.02
	32	28	27.79	22.15	2.04	31.43	22.12	2.07	33.19	24.49	2.09	35.52	25.66	2.11	37.99	26.28	2.13	39.26	29.22	2.15
	41	37	27.44	22.00	2.26	31.05	21.97	2.30	32.76	24.28	2.32	35.10	25.49	2.34	37.56	26.08	2.36	38.71	29.04	2.38
	50	47	27.68	22.11	2.55	31.33	22.09	2.60	33.06	24.40	2.62	35.42	25.63	2.66	37.89	26.23	2.69	39.08	29.19	2.71
	59	50	29.24	22.83	2.82	33.11	22.80	2.88	34.93	25.20	2.92	37.42	26.46	2.92	40.03	27.69	2.96	41.28	30.14	2.98
	67	53	35.40	25.99	3.44	40.06	25.96	3.49	42.25	28.67	3.53	45.27	30.10	3.56	48.42	31.54	3.61	49.93	34.28	3.63
	77	62	34.32	25.56	3.95	38.84	25.53	4.03	40.95	28.20	4.07	43.89	29.62	4.11	46.94	30.82	4.15	48.40	33.73	4.17
	87	69	33.42	25.14	4.39	37.82	25.11	4.47	39.89	27.74	4.51	42.75	29.13	4.55	45.72	29.81	4.61	47.15	33.18	4.63
	95	75	32.48	24.11	4.58	36.75	24.08	4.67	38.77	26.60	4.71	40.87	27.93	4.75	44.42	28.59	4.81	45.81	31.82	4.82
	104	78	27.55	22.05	4.19	31.19	22.03	4.27	32.90	24.34	4.29	35.25	25.55	4.35	37.72	26.16	4.39	38.89	29.12	4.42
115	80	20.28	19.39	3.62																

OUTDOOR UNIT
WHP18-42M

OUTDOOR UNIT
WHP18-42M

Indoor unit connecting capacity	Outdoor temperature		Indoor temperature																	
			64 °FDB/54 °FWB			70 °FDB/60 °FWB			75 °FDB/63 °FWB			80 °FDB/67 °FWB			85 °FDB/71 °FWB			90 °FDB/73 °FWB		
			TC	SHC	IP	TC	SHC	IP	TC	SHC	IP	TC	SHC	IP	TC	SHC	IP	TC	SHC	IP
kBtu/h	°FDB	°FWB	kBtu/h	kW	kBtu/h	kW	kBtu/h	kW	kBtu/h	kW	kBtu/h	kW	kBtu/h	kW	kBtu/h	kW	kBtu/h	kW		
18 + 24	14	12	27.94	22.43	1.73	31.63	22.40	1.77	33.36	24.75	1.77	35.75	25.40	1.79	38.25	26.40	1.81	39.44	29.23	1.83
	23	21	27.43	21.88	1.88	31.04	21.85	1.90	32.75	24.14	1.92	35.10	25.34	1.94	37.55	25.94	1.97	38.72	28.88	1.97
	32	28	27.21	21.69	1.99	30.77	21.66	2.03	32.49	23.98	2.05	34.78	25.12	2.07	37.20	25.73	2.08	38.44	28.61	2.10
	41	37	26.87	21.54	2.22	30.40	21.51	2.26	32.08	23.77	2.28	34.37	24.96	2.29	36.77	25.54	2.31	37.91	28.44	2.33
	50	47	27.10	21.64	2.50	30.68	21.63	2.54	32.37	23.89	2.57	34.68	25.09	2.61	37.10	25.69	2.63	38.26	28.58	2.65
	59	50	28.63	22.36	2.76	32.42	22.33	2.82	34.20	24.68	2.86	36.63	25.91	2.86	39.19	27.11	2.90	40.42	29.51	2.92
	67	53	34.66	25.45	3.37	39.22	25.41	3.42	41.36	28.07	3.45	44.33	29.47	3.49	47.41	30.88	3.54	48.88	33.57	3.56
	77	62	33.61	25.03	3.87	38.03	25.00	3.95	40.10	27.61	3.99	42.97	29.00	4.03	45.96	30.18	4.07	47.39	33.03	4.09
	87	69	32.72	24.61	4.30	37.03	24.58	4.38	39.05	27.16	4.42	41.85	28.53	4.46	44.77	29.18	4.51	46.17	32.48	4.53
	95	75	31.80	23.61	4.48	35.98	23.58	4.57	37.96	26.05	4.61	40.02	27.35	4.65	43.50	27.99	4.71	44.85	31.16	4.72
	104	78	26.97	21.58	4.10	30.54	21.57	4.18	32.21	23.83	4.20	34.51	25.02	4.26	36.93	25.61	4.30	38.08	28.51	4.32
115	80	19.86	18.98	3.54	22.49	18.95	3.60	23.72	20.95	3.64	25.42	22.00	3.68	27.21	22.52	3.72	28.06	25.08	3.74	
07 + 07 + 09 + 09	14	12	28.54	22.91	1.77	32.30	22.88	1.81	34.07	25.28	1.81	36.52	25.95	1.83	39.07	26.97	1.85	40.28	29.86	1.87
	23	21	28.02	22.35	1.92	31.70	22.32	1.94	33.45	24.66	1.96	35.85	25.89	1.98	38.35	26.49	2.02	39.55	29.50	2.02
	32	28	27.79	22.15	2.04	31.43	22.12	2.07	33.19	24.49	2.09	35.52	25.66	2.11	37.99	26.28	2.13	39.26	29.22	2.15
	41	37	27.44	22.00	2.26	31.05	21.97	2.30	32.76	24.28	2.32	35.10	25.49	2.34	37.56	26.08	2.36	38.71	29.04	2.38
	50	47	27.68	22.11	2.55	31.33	22.09	2.60	33.06	24.40	2.62	35.42	25.63	2.66	37.89	26.23	2.69	39.08	29.19	2.71
	59	50	29.24	22.83	2.82	33.11	22.80	2.88	34.93	25.20	2.92	37.42	26.46	2.92	40.03	27.69	2.96	41.28	30.14	2.98
	67	53	35.40	25.99	3.44	40.06	25.96	3.49	42.25	28.67	3.53	45.27	30.10	3.56	48.42	31.54	3.61	49.93	34.28	3.63
	77	62	34.32	25.56	3.95	38.84	25.53	4.03	40.95	28.20	4.07	43.89	29.62	4.11	46.94	30.82	4.15	48.40	33.73	4.17
	87	69	33.42	25.14	4.39	37.82	25.11	4.47	39.89	27.74	4.51	42.75	29.13	4.55	45.72	29.81	4.61	47.15	33.18	4.63
	95	75	32.48	24.11	4.58	36.75	24.08	4.67	38.77	26.60	4.71	40.87	27.93	4.75	44.42	28.59	4.81	45.81	31.82	4.82
	104	78	27.55	22.05	4.19	31.19	22.03	4.27	32.90	24.34	4.29	35.25	25.55	4.35	37.72	26.16	4.39	38.89	29.12	4.42
115	80	20.28	19.39	3.62	22.97	19.36	3.68	24.22	21.39	3.72	25.97	22.47	3.76	27.79	23.00	3.79	28.66	25.61	3.81	
07 + 07 + 09 + 18	14	12	29.48	23.66	1.83	33.37	23.63	1.87	35.19	26.11	1.87	37.71	26.80	1.89	40.35	27.85	1.91	41.60	30.84	1.93
	23	21	28.94	23.08	1.98	32.74	23.05	2.00	34.55	25.47	2.02	37.02	26.74	2.04	39.61	27.36	2.08	40.84	30.47	2.08
	32	28	28.70	22.88	2.10	32.46	22.85	2.14	34.28	25.29	2.16	36.69	26.50	2.18	39.24	27.14	2.20	40.54	30.18	2.22
	41	37	28.34	22.72	2.34	32.07	22.69	2.38	33.84	25.07	2.40	36.26	26.33	2.42	38.79	26.94	2.44	39.99	30.00	2.46
	50	47	28.58	22.83	2.64	32.36	22.82	2.68	34.15	25.20	2.71	36.58	26.47	2.75	39.14	27.10	2.77	40.36	30.15	2.80
	59	50	30.20	23.58	2.91	34.20	23.55	2.98	36.08	26.03	3.02	38.64	27.33	3.02	41.34	28.60	3.06	42.64	31.12	3.08
	67	53	36.57	26.84	3.55	41.38	26.81	3.61	43.63	29.61	3.64	46.76	31.09	3.68	50.01	32.58	3.73	51.57	35.41	3.75
	77	62	35.45	26.40	4.08	40.12	26.37	4.17	42.30	29.12	4.21	45.33	30.59	4.25	48.49	31.83	4.29	49.99	34.84	4.31
	87	69	34.51	25.97	4.54	39.07	25.93	4.62	41.20	28.66	4.66	44.15	30.09	4.70	47.22	30.78	4.76	48.70	34.27	4.78
	95	75	33.55	24.91	4.73	37.96	24.88	4.83	40.04	27.48	4.87	42.21	28.85	4.90	45.88	29.53	4.96	47.31	32.87	4.98
	104	78	28.45	22.77	4.32	32.22	22.75	4.41	33.98	25.14	4.43	36.40	26.39	4.50	38.96	27.02	4.54	40.17	30.07	4.56
115	80	20.95	20.03	3.73	23.73	19.99	3.80	25.02	22.10	3.84	26.82	23.21	3.88	28.70	23.76	3.92	29.60	26.45	3.94	
07 + 07 + 12 + 12	14	12	28.97	23.25	1.79	32.79	23.22	1.83	34.58	25.66	1.83	37.06	26.33	1.85	39.65	27.37	1.87	40.88	30.30	1.89
	23	21	28.44	22.68	1.95	32.18	22.65	1.97	33.95	25.02	1.99	36.38	26.27	2.01	38.92	26.89	2.05	40.14	29.94	2.05
	32	28	28.20	22.48	2.07	31.90	22.45	2.10	33.68	24.85	2.12	36.05	26.04	2.14	38.56	26.67	2.16	39.84	29.65	2.18
	41	37	27.85	22.33	2.30	31.51	22.30	2.34	33.25	24.64	2.36	35.63	25.87	2.38	38.12	26.47	2.40	39.29	29.48	2.42
	50	47	28.09	22.44	2.59	31.80	22.42	2.64	33.55	24.76	2.66	35.95	26.01	2.70	38.46	26.63	2.73	39.66	29.63	2.75
	59	50	29.68	23.18	2.86	33.60	23.14	2.92	35.45	25.58	2.96	37.97	26.86	2.96	40.63	28.10	3.00	41.90	30.58	3.02
	67	53	35.93	26.38	3.49	40.66	26.34	3.54	42.88	29.09	3.58	45.95	30.55	3.61	49.15	32.01	3.67	50.67	34.80	3.69
	77	62	34.84	25.95	4.01	39.42	25.91	4.09	41.57	28.62	4.13	44.54	30.06	4.17	47.64	31.28	4.21	49.12	34.23	4.23
	87	69	33.92	25.52	4.46	38.39	25.48	4.54	40.48	28.16	4.58	43.38	29.57	4.62	46.41	30.25	4.68	47.86	33.67	4.70
	95	75	32.97	24.47	4.65	37.30	24.44	4.74	39.35	27.00	4.78	41.48	28.35	4.82	45.09	29.01	4.88	46.49	32.30	4.90
	104	78	27.96	22.37	4.25	31.66	22.36	4.33	33.39	24.70	4.35	35.77	25.93	4.42	38.28	26.55	4.46	39.47	29.55	4.48
115	80	20.58	19.68	3.67	23.32	19.65	3.73	24.58	21.71	3.77	26.35	22.81	3.81	28.20	23.34	3.85	29.09	25.99	3.87	
07 + 09 + 09 + 09	14	12	27.94	22.43	1.73	31.63	22.40	1.77	33.36	24.75	1.77	35.75	25.40	1.79	38.25	26.40	1.81	39.44	29.23	1.83
	23	21	27.43	21.88	1.88	31.04	21.85	1.90	32.75	24.14	1.92	35.10	25.34	1.94	37.55	25.94	1.97	38.72	28.88	1.97
	32	28	27.21	21.69	1.99	30.77	21.66	2.03	32.49	23.98	2.05	34.78	25.12	2.07	37.20	25.73	2.08	38.44	28.61	2.10
	41	37	26.87	21.54	2.22	30.40	21.51	2.26	32.08	23.77	2.28	34.37	24.96	2.29	36.77	25.54	2.31	37.91	28.44	2.33
	50	47	27.10	21.64	2.50	30.68	21.63	2.54	32.37	23.89	2.57	34.68	25.09	2.61	37.10	25.69	2.63	38.26	28.58	2.65
	59	50	28.63	22.36	2.76	32.42	22.33	2.82	34.20	24.68	2.86	36.63	25.91	2.86	39.19	27.11	2.90	40.42	29.51	2.92
	67	53	34.66	25.45	3.37	39.22	25.41	3.42	41.36	28.07	3.45	44.33	29.47	3.49	47.41	30.88	3.54	48.88	33.57	3.56
	77	62	33.61	25.03	3.87	38.03	25.00	3.95	40.10	27.61	3.99	42.97	29.00	4.03	45.96	30.18	4.07	47.39	33.03	4.09
	87	69	32.72	24.61	4.30	37.03	24.58	4.38	39.05	27.16	4.42	41.85	28.53	4.46	44.77	29.18	4.51	46.17	32.48	4.53
	95	75	31.80	23.61	4.48	35.98	23.58	4.57	37.96	26.05	4.61	40.02	27.35	4.65	43.50	27.99	4.71	44.85	31.16	4.72
	104	78	26.97	21.58	4.10	30.54	21.57	4.18	32.21	23.83	4.20	34.51	25.02	4.26	36.93	25.61	4.30	38.08	28.51	4.32
115	80	19.86	18.98	3.54	22.49	18.95	3.60	23.72	20.95	3.64	25.42	22.00	3.68	27.21	22.52	3.72	28.06	25.08	3.74	
07 + 09 + 09 + 12	14	12	28.54	22.91																

OUTDOOR UNIT
WHP18-42M

OUTDOOR UNIT
WHP18-42M

Indoor unit connecting capacity	Outdoor temperature		Indoor temperature																	
			64 °FDB/54 °FWB			70 °FDB/60 °FWB			75 °FDB/63 °FWB			80 °FDB/67 °FWB			85 °FDB/71 °FWB			90 °FDB/73 °FWB		
			TC	SHC	IP	TC	SHC	IP	TC	SHC	IP	TC	SHC	IP	TC	SHC	IP	TC	SHC	IP
kBtu/h	°FDB	°FWB	kBtu/h	kW	kBtu/h	kW	kBtu/h	kW	kBtu/h	kW	kBtu/h	kW	kBtu/h	kW	kBtu/h	kW	kBtu/h	kW		
07 + 09 + 12 + 12	14	12	28.97	23.25	1.79	32.79	23.22	1.83	34.58	25.66	1.83	37.06	26.33	1.85	39.65	27.37	1.87	40.88	30.30	1.89
	23	21	28.44	22.68	1.95	32.18	22.65	1.97	33.95	25.02	1.99	36.38	26.27	2.01	38.92	26.89	2.05	40.14	29.94	2.05
	32	28	28.20	22.48	2.07	31.90	22.45	2.10	33.68	24.85	2.12	36.05	26.04	2.14	38.56	26.67	2.16	39.84	29.65	2.18
	41	37	27.85	22.33	2.30	31.51	22.30	2.34	33.25	24.64	2.36	35.63	25.87	2.38	38.12	26.47	2.40	39.29	29.48	2.42
	50	47	28.09	22.44	2.59	31.80	22.42	2.64	33.55	24.76	2.66	35.95	26.01	2.70	38.46	26.63	2.73	39.66	29.63	2.75
	59	50	29.68	23.18	2.86	33.60	23.14	2.92	35.45	25.58	2.96	37.97	26.86	2.96	40.63	28.10	3.00	41.90	30.58	3.02
	67	53	35.93	26.38	3.49	40.66	26.34	3.54	42.88	29.09	3.58	45.95	30.55	3.61	49.15	32.01	3.67	50.67	34.80	3.69
	77	62	34.84	25.95	4.01	39.42	25.91	4.09	41.57	28.62	4.13	44.54	30.06	4.17	47.64	31.28	4.21	49.12	34.23	4.23
	87	69	33.92	25.52	4.46	38.39	25.48	4.54	40.48	28.16	4.58	43.38	29.57	4.62	46.41	30.25	4.68	47.86	33.67	4.70
	95	75	32.97	24.47	4.65	37.30	24.44	4.74	39.35	27.00	4.78	41.48	28.35	4.82	45.09	29.01	4.88	46.49	32.30	4.90
	104	78	27.96	22.37	4.25	31.66	22.36	4.33	33.39	24.70	4.35	35.77	25.93	4.42	38.28	26.55	4.46	39.47	29.55	4.48
115	80	20.58	19.68	3.67	23.32	19.65	3.73	24.58	21.71	3.77	26.35	22.81	3.81	28.20	23.34	3.85	29.09	25.99	3.87	
07 + 09 + 12 + 18	14	12	29.99	24.07	1.86	33.94	24.04	1.90	35.80	26.56	1.90	38.37	27.26	1.92	41.05	28.34	1.94	42.32	31.37	1.96
	23	21	29.44	23.48	2.02	33.31	23.45	2.04	35.15	25.91	2.06	37.66	27.20	2.08	40.29	27.84	2.12	41.55	30.99	2.12
	32	28	29.20	23.27	2.14	33.03	23.24	2.18	34.87	25.73	2.20	37.33	26.96	2.22	39.92	27.62	2.24	41.25	30.70	2.26
	41	37	28.83	23.12	2.38	32.63	23.08	2.42	34.42	25.51	2.44	36.89	26.78	2.46	39.46	27.41	2.48	40.68	30.52	2.50
	50	47	29.08	23.23	2.68	32.92	23.21	2.73	34.74	25.64	2.75	37.22	26.93	2.80	39.81	27.57	2.82	41.06	30.68	2.85
	59	50	30.73	23.99	2.96	34.79	23.96	3.03	36.70	26.48	3.07	39.31	27.80	3.07	42.06	29.10	3.11	43.38	31.66	3.13
	67	53	37.20	27.31	3.61	42.09	27.27	3.67	44.39	30.12	3.71	47.57	31.63	3.74	50.88	33.14	3.80	52.46	36.02	3.82
	77	62	36.07	26.86	4.15	40.81	26.83	4.24	43.03	29.63	4.28	46.11	31.12	4.32	49.33	32.38	4.36	50.86	35.44	4.38
	87	69	35.11	26.42	4.61	39.74	26.38	4.70	41.91	29.15	4.74	44.92	30.61	4.78	48.04	31.32	4.84	49.55	34.86	4.86
	95	75	34.13	25.34	4.81	38.62	25.31	4.91	40.74	27.95	4.95	42.94	29.35	4.99	46.68	30.04	5.05	48.13	33.44	5.07
	104	78	28.95	23.16	4.40	32.77	23.15	4.49	34.57	25.57	4.51	37.04	26.85	4.57	39.63	27.49	4.62	40.86	30.60	4.64
115	80	21.31	20.37	3.80	24.14	20.34	3.86	25.45	22.48	3.90	27.28	23.61	3.95	29.20	24.17	3.99	30.11	26.91	4.01	
07 + 12 + 12 + 12	14	12	29.48	23.66	1.83	33.37	23.63	1.87	35.19	26.11	1.87	37.71	26.80	1.89	40.35	27.85	1.91	41.60	30.84	1.93
	23	21	28.94	23.08	1.98	32.74	23.05	2.00	34.55	25.47	2.02	37.02	26.74	2.04	39.61	27.36	2.08	40.84	30.47	2.08
	32	28	28.70	22.88	2.10	32.46	22.85	2.14	34.28	25.29	2.16	36.69	26.50	2.18	39.24	27.14	2.20	40.54	30.18	2.22
	41	37	28.34	22.72	2.34	32.07	22.69	2.38	33.84	25.07	2.40	36.26	26.33	2.42	38.79	26.94	2.44	39.99	30.00	2.46
	50	47	28.58	22.83	2.64	32.36	22.82	2.68	34.15	25.20	2.71	36.58	26.47	2.75	39.14	27.10	2.77	40.36	30.15	2.80
	59	50	30.20	23.58	2.91	34.20	23.55	2.98	36.08	26.03	3.02	38.64	27.33	3.02	41.34	28.60	3.06	42.64	31.12	3.08
	67	53	36.57	26.84	3.55	41.38	26.81	3.61	43.63	29.61	3.64	46.76	31.09	3.68	50.01	32.58	3.73	51.57	35.41	3.75
	77	62	35.45	26.40	4.08	40.12	26.37	4.17	42.30	29.12	4.21	45.33	30.59	4.25	48.49	31.83	4.29	49.99	34.84	4.31
	87	69	34.51	25.97	4.54	39.07	25.93	4.62	41.20	28.66	4.66	44.15	30.09	4.70	47.22	30.78	4.76	48.70	34.27	4.78
	95	75	33.55	24.91	4.73	37.96	24.88	4.83	40.04	27.48	4.87	42.21	28.85	4.90	45.88	29.53	4.96	47.31	32.87	4.98
	104	78	28.45	22.77	4.32	32.22	22.75	4.41	33.98	25.14	4.43	36.40	26.39	4.50	38.96	27.02	4.54	40.17	30.07	4.56
115	80	20.95	20.03	3.73	23.73	19.99	3.80	25.02	22.10	3.84	26.82	23.21	3.88	28.70	23.76	3.92	29.60	26.45	3.94	
09 + 09 + 09 + 09	14	12	27.94	22.43	1.73	31.63	22.40	1.77	33.36	24.75	1.77	35.75	25.40	1.79	38.25	26.40	1.81	39.44	29.23	1.83
	23	21	27.43	21.88	1.88	31.04	21.85	1.90	32.75	24.14	1.92	35.10	25.34	1.94	37.55	25.94	1.97	38.72	28.88	1.97
	32	28	27.21	21.69	1.99	30.77	21.66	2.03	32.49	23.98	2.05	34.78	25.12	2.07	37.20	25.73	2.08	38.44	28.61	2.10
	41	37	26.87	21.54	2.22	30.40	21.51	2.26	32.08	23.77	2.28	34.37	24.96	2.29	36.77	25.54	2.31	37.91	28.44	2.33
	50	47	27.10	21.64	2.50	30.68	21.63	2.54	32.37	23.89	2.57	34.68	25.09	2.61	37.10	25.69	2.63	38.26	28.58	2.65
	59	50	28.63	22.36	2.76	32.42	22.33	2.82	34.20	24.68	2.86	36.63	25.91	2.86	39.19	27.11	2.90	40.42	29.51	2.92
	67	53	34.66	25.45	3.37	39.22	25.41	3.42	41.36	28.07	3.45	44.33	29.47	3.49	47.41	30.88	3.54	48.88	33.57	3.56
	77	62	33.61	25.03	3.87	38.03	25.00	3.95	40.10	27.61	3.99	42.97	29.00	4.03	45.96	30.18	4.07	47.39	33.03	4.09
	87	69	32.72	24.61	4.30	37.03	24.58	4.38	39.05	27.16	4.42	41.85	28.53	4.46	44.77	29.18	4.51	46.17	32.48	4.53
	95	75	31.80	23.61	4.48	35.98	23.58	4.57	37.96	26.05	4.61	40.02	27.35	4.65	43.50	27.99	4.71	44.85	31.16	4.72
	104	78	26.97	21.58	4.10	30.54	21.57	4.18	32.21	23.83	4.20	34.51	25.02	4.26	36.93	25.61	4.30	38.08	28.51	4.32
115	80	19.86	18.98	3.54	22.49	18.95	3.60	23.72	20.95	3.64	25.42	22.00	3.68	27.21	22.52	3.72	28.06	25.08	3.74	
09 + 09 + 09 + 12	14	12	28.54	22.91	1.77	32.30	22.88	1.81	34.07	25.28	1.81	36.52	25.95	1.83	39.07	26.97	1.85	40.28	29.86	1.87
	23	21	28.02	22.35	1.92	31.70	22.32	1.94	33.45	24.66	1.96	35.85	25.89	1.98	38.35	26.49	2.02	39.55	29.50	2.02
	32	28	27.79	22.15	2.04	31.43	22.12	2.07	33.19	24.49	2.09	35.52	25.66	2.11	37.99	26.28	2.13	39.26	29.22	2.15
	41	37	27.44	22.00	2.26	31.05	21.97	2.30	32.76	24.28	2.32	35.10	25.49	2.34	37.56	26.08	2.36	38.71	29.04	2.38
	50	47	27.68	22.11	2.55	31.33	22.09	2.60	33.06	24.40	2.62	35.42	25.63	2.66	37.89	26.23	2.69	39.08	29.19	2.71
	59	50	29.24	22.83	2.82	33.11	22.80	2.88	34.93	25.20	2.92	37.42	26.46	2.92	40.03	27.69	2.96	41.28	30.14	2.98
	67	53	35.40	25.99	3.44	40.06	25.96	3.49	42.25	28.67	3.53	45.27	30.10	3.56	48.42	31.54	3.61	49.93	34.28	3.63
	77	62	34.32	25.56	3.95	38.84	25.53	4.03	40.95	28.20	4.07	43.89	29.62	4.11	46.94	30.82	4.15	48.40	33.73	4.17
	87	69	33.42	25.14	4.39	37.82	25.11	4.47	39.89	27.74	4.51	42.75	29.13	4.55	45.72	29.81	4.61	47.15	33.18	4.63
	95	75	32.48	24.11	4.58	36.75	24.08	4.67	38.77	26.60	4.71	40.87	27.93	4.75	44.42	28.59	4.81	45.81	31.82	4.82
	104	78	27.55	22.05	4.19	31.19	22.03	4.27	32.90	24.34	4.29	35.25	25.55	4.35	37.72	26.16	4.39	38.89	29.12	4.42
115	80	20.28	19.39	3.62	2															

Indoor unit connecting capacity	Outdoor temperature		Indoor temperature																	
			64 °FDB/54 °FWB			70 °FDB/60 °FWB			75 °FDB/63 °FWB			80 °FDB/67 °FWB			85 °FDB/71 °FWB			90 °FDB/73 °FWB		
			TC	SHC	IP	TC	SHC	IP	TC	SHC	IP	TC	SHC	IP	TC	SHC	IP	TC	SHC	IP
kBtu/h	°FDB	°FWB	kBtu/h	kW	kBtu/h	kW	kBtu/h	kW	kBtu/h	kW	kBtu/h	kW	kBtu/h	kW	kBtu/h	kW	kBtu/h	kW		
09 + 12 + 12 + 12	14	12	29.48	23.66	1.83	33.37	23.63	1.87	35.19	26.11	1.87	37.71	26.80	1.89	40.35	27.85	1.91	41.60	30.84	1.93
	23	21	28.94	23.08	1.98	32.74	23.05	2.00	34.55	25.47	2.02	37.02	26.74	2.04	39.61	27.36	2.08	40.84	30.47	2.08
	32	28	28.70	22.88	2.10	32.46	22.85	2.14	34.28	25.29	2.16	36.69	26.50	2.18	39.24	27.14	2.20	40.54	30.18	2.22
	41	37	28.34	22.72	2.34	32.07	22.69	2.38	33.84	25.07	2.40	36.26	26.33	2.42	38.79	26.94	2.44	39.99	30.00	2.46
	50	47	28.58	22.83	2.64	32.36	22.82	2.68	34.15	25.20	2.71	36.58	26.47	2.75	39.14	27.10	2.77	40.36	30.15	2.80
	59	50	30.20	23.58	2.91	34.20	23.55	2.98	36.08	26.03	3.02	38.64	27.33	3.02	41.34	28.60	3.06	42.64	31.12	3.08
	67	53	36.57	26.84	3.55	41.38	26.81	3.61	43.63	29.61	3.64	46.76	31.09	3.68	50.01	32.58	3.73	51.57	35.41	3.75
	77	62	35.45	26.40	4.08	40.12	26.37	4.17	42.30	29.12	4.21	45.33	30.59	4.25	48.49	31.83	4.29	49.99	34.84	4.31
	87	69	34.51	25.97	4.54	39.07	25.93	4.62	41.20	28.66	4.66	44.15	30.09	4.70	47.22	30.78	4.76	48.70	34.27	4.78
	95	75	33.55	24.91	4.73	37.96	24.88	4.83	40.04	27.48	4.87	42.21	28.85	4.90	45.88	29.53	4.96	47.31	32.87	4.98
	104	78	28.45	22.77	4.32	32.22	22.75	4.41	33.98	25.14	4.43	36.40	26.39	4.50	38.96	27.02	4.54	40.17	30.07	4.56
115	80	20.95	20.03	3.73	23.73	19.99	3.80	25.02	22.10	3.84	26.82	23.21	3.88	28.70	23.76	3.92	29.60	26.45	3.94	

NOTES:

- Specifications are based on the following conditions.
 - Power source of specifications: 230 V
 - Pipe length: 24.6 ft (7.5 m), Height difference: 0 ft (0 m) [Outdoor unit—Indoor unit]
 - Indoor unit fan speed: HIGH
- 2 or more indoor units should be connected.
- The total ability of connected a indoor unit is from 30,000 Btu/h up to 46,000 Btu/h.
- Input in the table are calculated based on the maximum indoor unit input combinations.
- Capacity loss due to white frost and defrost operation is not included.

■ Heating

- TC: Total Capacity (Gross)
- IP: Input Power (Including the compressor, evaporator fan motor, and condenser fan motor)

Indoor unit connecting capacity	Outdoor temperature		Indoor temperature									
			60 °FDB		65 °FDB		70 °FDB		75 °FDB		78 °FDB	
			TC	IP	TC	IP	TC	IP	TC	IP	TC	IP
kBtu/h	°FDB	°FWB	kBtu/h	kW	kBtu/h	kW	kBtu/h	kW	kBtu/h	kW	kBtu/h	kW
07 + 24	-13	-15	23.53	3.40	23.25	3.45	23.10	4.50	22.45	3.55	21.70	3.60
	-5	-7	28.63	3.94	27.90	3.99	27.21	4.07	26.66	4.12	25.84	4.18
	5	3	34.53	4.47	33.69	4.55	33.00	4.62	32.60	4.69	31.82	4.76
	14	12	39.26	5.12	38.29	5.20	35.89	5.30	36.41	5.38	35.41	5.46
	23	19	40.44	5.35	39.45	5.44	37.76	5.52	37.56	5.62	36.54	5.71
	32	28	42.92	5.52	41.81	5.61	40.93	5.70	39.75	5.81	38.72	5.90
	41	37	44.93	5.81	43.77	5.90	42.88	5.98	41.68	6.10	40.64	6.20
	47	43	46.96	5.58	45.76	5.61	44.95	5.70	43.65	5.80	42.45	5.90
	50	47	42.69	4.83	41.60	4.86	40.86	4.95	39.68	5.03	38.59	5.11
	59	50	38.33	4.15	37.35	4.18	36.68	4.25	35.63	4.33	34.64	4.38
09 + 24	-13	-15	23.53	3.40	23.25	3.45	23.10	4.50	22.45	3.55	21.70	3.60
	-5	-7	28.63	3.94	27.90	3.99	27.21	4.07	26.66	4.12	25.84	4.18
	5	3	34.53	4.47	33.69	4.55	33.00	4.62	32.60	4.69	31.82	4.76
	14	12	39.26	5.12	38.29	5.20	35.89	5.30	36.41	5.38	35.41	5.46
	23	19	40.44	5.35	39.45	5.44	37.76	5.52	37.56	5.62	36.54	5.71
	32	28	42.92	5.52	41.81	5.61	40.93	5.70	39.75	5.81	38.72	5.90
	41	37	44.93	5.81	43.77	5.90	42.88	5.98	41.68	6.10	40.64	6.20
	47	43	46.96	5.58	45.76	5.61	44.95	5.70	43.65	5.80	42.45	5.90
	50	47	42.69	4.83	41.60	4.86	40.86	4.95	39.68	5.03	38.59	5.11
	59	50	38.33	4.15	37.35	4.18	36.68	4.25	35.63	4.33	34.64	4.38
12 + 18	-13	-15	21.39	3.40	21.14	3.45	21.00	3.50	20.41	3.55	19.73	3.60
	-5	-7	26.03	3.94	25.36	3.99	24.74	4.07	24.24	4.12	23.49	4.18
	5	3	31.39	4.47	30.63	4.55	30.00	4.62	29.64	4.69	28.93	4.76
	14	12	35.53	5.10	34.65	5.18	32.48	5.28	32.95	5.36	32.04	5.44
	23	19	36.43	5.31	35.54	5.40	34.02	5.48	33.84	5.58	32.92	5.67
	32	28	38.49	5.46	37.50	5.55	36.71	5.64	35.65	5.74	34.73	5.83
	41	37	40.12	5.72	39.09	5.81	38.29	5.89	37.22	6.01	36.29	6.11
	47	43	41.76	5.48	40.69	5.51	39.97	5.60	38.81	5.69	37.74	5.79
	50	47	37.96	4.75	36.99	4.78	36.33	4.86	35.29	4.94	34.31	5.02
	59	50	34.08	4.08	33.21	4.11	32.62	4.18	31.68	4.25	30.80	4.30
12 + 24	-13	-15	25.67	3.40	25.37	3.45	25.20	3.50	24.50	3.55	23.67	3.60
	-5	-7	31.24	3.94	30.43	3.99	29.69	4.07	29.09	4.12	28.19	4.18
	5	3	37.67	4.47	36.75	4.55	36.00	4.62	35.57	4.69	34.71	4.76
	14	12	43.00	5.14	41.93	5.22	39.30	5.31	39.88	5.40	38.77	5.48
	23	19	44.45	5.38	43.36	5.47	41.51	5.56	41.28	5.66	40.16	5.75
	32	28	47.34	5.57	46.12	5.66	45.15	5.75	43.85	5.86	42.71	5.95
	41	37	49.74	5.88	48.45	5.97	47.46	6.05	46.14	6.17	44.99	6.27
	47	43	52.17	5.66	50.83	5.69	49.93	5.79	48.49	5.89	47.15	5.98
	50	47	47.42	4.90	46.21	4.93	45.39	5.02	44.08	5.10	42.86	5.19
	59	50	42.57	4.21	41.48	4.23	40.75	4.31	39.57	4.39	38.48	4.44
18 + 18	-13	-15	25.67	3.40	25.37	3.45	25.20	3.50	24.50	3.55	23.67	3.60
	-5	-7	31.24	3.94	30.43	3.99	29.69	4.07	29.09	4.12	28.19	4.18
	5	3	37.67	4.47	36.75	4.55	36.00	4.62	35.57	4.69	34.71	4.76
	14	12	42.34	5.07	41.29	5.15	38.71	5.25	39.27	5.33	38.18	5.41
	23	19	43.12	5.25	42.06	5.34	40.27	5.42	40.05	5.52	38.96	5.60
	32	28	45.25	5.37	44.08	5.46	43.15	5.54	41.91	5.65	40.82	5.74
	41	37	46.85	5.59	45.63	5.68	44.70	5.76	43.46	5.87	42.38	5.97
	47	43	48.43	5.33	47.19	5.35	46.35	5.45	45.01	5.54	43.77	5.63
	50	47	44.03	4.62	42.90	4.65	42.14	4.73	40.92	4.81	39.79	4.89
	59	50	39.53	3.98	38.51	4.00	37.83	4.08	36.74	4.15	35.73	4.19
18 + 24	-13	-15	27.09	3.40	26.77	3.45	26.60	3.50	25.86	3.55	24.99	3.60
	-5	-7	32.97	3.94	32.12	3.99	31.33	4.07	30.70	4.12	29.76	4.18
	5	3	39.76	4.47	38.79	4.55	38.00	4.62	37.54	4.69	36.64	4.76
	14	12	45.39	5.14	44.25	5.22	41.49	5.31	42.09	5.40	40.93	5.48
	23	19	46.92	5.38	45.77	5.47	43.81	5.56	43.58	5.66	42.39	5.75
	32	28	49.97	5.57	48.69	5.66	47.66	5.75	46.29	5.86	45.09	5.95
	41	37	52.50	5.88	51.14	5.97	50.10	6.05	48.71	6.17	47.49	6.27
	47	43	55.06	5.66	53.65	5.69	52.70	5.79	51.18	5.89	49.77	5.98
	50	47	50.06	4.90	48.77	4.93	47.91	5.02	46.53	5.10	45.24	5.19
	59	50	44.94	4.21	43.79	4.23	43.01	4.31	41.77	4.39	40.62	4.44

OUTDOOR UNIT
WHP18-42M

OUTDOOR UNIT
WHP18-42M

OUTDOOR UNIT
WHP18-42M

OUTDOOR UNIT
WHP18-42M

Indoor unit connecting capacity	Outdoor temperature		Indoor temperature									
			60 °FDB		65 °FDB		70 °FDB		75 °FDB		78 °FDB	
			TC	IP	TC	IP	TC	IP	TC	IP	TC	IP
kBtu/h	°FDB	°FWB	kBtu/h	kW	kBtu/h	kW	kBtu/h	kW	kBtu/h	kW	kBtu/h	kW
07 + 07 + 18	-13	-15	25.67	3.40	25.37	3.45	25.20	3.50	24.50	3.55	23.67	3.60
	-5	-7	31.24	3.94	30.43	3.99	29.69	4.07	29.09	4.12	28.19	4.18
	5	3	37.67	4.47	36.75	4.55	36.00	4.62	35.57	4.69	34.71	4.76
	14	12	42.34	5.07	41.29	5.15	38.71	5.25	39.27	5.33	38.18	5.41
	23	19	43.12	5.25	42.06	5.34	40.27	5.42	40.05	5.52	38.96	5.60
	32	28	45.25	5.37	44.08	5.46	43.15	5.54	41.91	5.65	40.82	5.74
	41	37	46.85	5.59	45.63	5.68	44.70	5.76	43.46	5.87	42.38	5.97
	47	43	48.43	5.33	47.19	5.35	46.35	5.45	45.01	5.54	43.77	5.63
	50	47	44.03	4.62	42.90	4.65	42.14	4.73	40.92	4.81	39.79	4.89
	59	50	39.53	3.98	38.51	4.00	37.83	4.08	36.74	4.15	35.73	4.19
68	59	34.93	3.40	34.03	3.42	33.43	3.48	32.46	3.53	31.57	3.58	
75	65	25.19	2.71	24.55	2.73	24.11	2.77	23.42	2.81	22.77	2.84	
07 + 07 + 24	-13	-15	25.67	3.40	25.37	3.45	25.20	3.50	24.50	3.55	23.67	3.60
	-5	-7	31.24	3.94	30.43	3.99	29.69	4.07	29.09	4.12	28.19	4.18
	5	3	37.67	4.47	36.75	4.55	36.00	4.62	35.57	4.69	34.71	4.76
	14	12	42.80	5.12	41.73	5.20	39.12	5.29	39.69	5.38	38.60	5.46
	23	19	44.05	5.34	42.97	5.43	41.14	5.52	40.91	5.62	39.80	5.70
	32	28	46.71	5.51	45.51	5.60	44.55	5.69	43.27	5.80	42.15	5.89
	41	37	48.87	5.79	47.61	5.88	46.64	5.97	45.34	6.08	44.21	6.18
	47	43	51.04	5.56	49.74	5.59	48.85	5.69	47.45	5.78	46.14	5.88
	50	47	46.40	4.82	45.21	4.85	44.41	4.94	43.13	5.02	41.94	5.10
	59	50	41.66	4.14	40.59	4.16	39.87	4.24	38.72	4.32	37.65	4.37
68	59	36.81	3.53	35.87	3.56	35.23	3.61	34.22	3.67	33.27	3.72	
75	65	26.55	2.80	25.87	2.82	25.41	2.86	24.68	2.90	24.00	2.94	
07 + 09 + 18	-13	-15	25.67	3.40	25.37	3.45	25.20	3.50	24.50	3.55	23.67	3.60
	-5	-7	31.24	3.94	30.43	3.99	29.69	4.07	29.09	4.12	28.19	4.18
	5	3	37.67	4.47	36.75	4.55	36.00	4.62	35.57	4.69	34.71	4.76
	14	12	42.34	5.07	41.29	5.15	38.71	5.25	39.27	5.33	38.18	5.41
	23	19	43.12	5.25	42.06	5.34	40.27	5.42	40.05	5.52	38.96	5.60
	32	28	45.25	5.37	44.08	5.46	43.15	5.54	41.91	5.65	40.82	5.74
	41	37	46.85	5.59	45.63	5.68	44.70	5.76	43.46	5.87	42.38	5.97
	47	43	48.43	5.33	47.19	5.35	46.35	5.45	45.01	5.54	43.77	5.63
	50	47	44.03	4.62	42.90	4.65	42.14	4.73	40.92	4.81	39.79	4.89
	59	50	39.53	3.98	38.51	4.00	37.83	4.08	36.74	4.15	35.73	4.19
68	59	34.93	3.40	34.03	3.42	33.43	3.48	32.46	3.53	31.57	3.58	
75	65	25.19	2.71	24.55	2.73	24.11	2.77	23.42	2.81	22.77	2.84	
07 + 09 + 24	-13	-15	25.67	3.40	25.37	3.45	25.20	3.50	24.50	3.55	23.67	3.60
	-5	-7	31.24	3.94	30.43	3.99	29.69	4.07	29.09	4.12	28.19	4.18
	5	3	37.67	4.47	36.75	4.55	36.00	4.62	35.57	4.69	34.71	4.76
	14	12	42.80	5.12	41.73	5.20	39.12	5.29	39.69	5.38	38.60	5.46
	23	19	44.05	5.34	42.97	5.43	41.14	5.52	40.91	5.62	39.80	5.70
	32	28	46.71	5.51	45.51	5.60	44.55	5.69	43.27	5.80	42.15	5.89
	41	37	48.87	5.79	47.61	5.88	46.64	5.97	45.34	6.08	44.21	6.18
	47	43	51.04	5.56	49.74	5.59	48.85	5.69	47.45	5.78	46.14	5.88
	50	47	46.40	4.82	45.21	4.85	44.41	4.94	43.13	5.02	41.94	5.10
	59	50	41.66	4.14	40.59	4.16	39.87	4.24	38.72	4.32	37.65	4.37
68	59	36.81	3.53	35.87	3.56	35.23	3.61	34.22	3.67	33.27	3.72	
75	65	26.55	2.80	25.87	2.82	25.41	2.86	24.68	2.90	24.00	2.94	
07 + 12 + 12	-13	-15	24.24	3.40	23.96	3.45	23.80	3.50	23.13	3.55	22.36	3.60
	-5	-7	29.50	3.94	28.74	3.99	28.04	4.07	27.47	4.12	26.63	4.18
	5	3	35.57	4.47	34.71	4.55	34.00	4.62	33.59	4.69	32.78	4.76
	14	12	39.87	5.06	38.87	5.14	36.44	5.24	36.97	5.32	35.95	5.40
	23	19	40.47	5.22	39.48	5.31	37.79	5.39	37.59	5.49	36.57	5.58
	32	28	42.34	5.33	41.25	5.41	40.38	5.50	39.21	5.60	38.20	5.69
	41	37	43.70	5.54	42.57	5.62	41.70	5.70	40.54	5.81	39.53	5.91
	47	43	45.03	5.26	43.88	5.29	43.10	5.38	41.86	5.47	40.70	5.56
	50	47	40.94	4.57	39.89	4.59	39.18	4.68	38.05	4.75	37.00	4.83
	59	50	36.75	3.93	35.81	3.96	35.18	4.03	34.16	4.10	33.22	4.14
68	59	32.48	3.36	31.64	3.39	31.08	3.44	30.19	3.49	29.36	3.54	
75	65	23.43	2.68	22.82	2.70	22.42	2.74	21.77	2.78	21.17	2.81	
07 + 12 + 18	-13	-15	25.67	3.40	25.37	3.45	25.20	3.50	24.50	3.55	23.67	3.60
	-5	-7	31.24	3.94	30.43	3.99	29.69	4.07	29.09	4.12	28.19	4.18
	5	3	37.67	4.47	36.75	4.55	36.00	4.62	35.57	4.69	34.71	4.76
	14	12	42.61	5.10	41.54	5.18	38.94	5.27	39.51	5.36	38.42	5.44
	23	19	43.65	5.30	42.58	5.39	40.76	5.48	40.54	5.57	39.44	5.66
	32	28	46.08	5.45	44.90	5.54	43.95	5.63	42.69	5.73	41.58	5.82
	41	37	48.00	5.71	46.76	5.80	45.81	5.88	44.53	5.99	43.42	6.09
	47	43	49.92	5.46	48.64	5.49	47.78	5.58	46.40	5.68	45.12	5.77
	50	47	45.38	4.74	44.22	4.76	43.44	4.85	42.18	4.93	41.02	5.01
	59	50	40.74	4.07	39.70	4.09	39.00	4.17	37.87	4.24	36.83	4.29
68	59	36.00	3.47	35.08	3.50	34.46	3.55	33.47	3.61	32.54	3.66	
75	65	25.97	2.76	25.30	2.78	24.86	2.82	24.14	2.86	23.47	2.89	
07 + 12 + 24	-13	-15	25.67	3.40	25.37	3.45	25.20	3.50	24.50	3.55	23.67	3.60
	-5	-7	31.24	3.94	30.43	3.99	29.69	4.07	29.09	4.12	28.19	4.18
	5	3	37.67	4.47	36.75	4.55	36.00	4.62	35.57	4.69	34.71	4.76
	14	12	42.93	5.13	41.86	5.21	39.24	5.31	39.82	5.39	38.71	5.47
	23	19	44.32	5.37	43.23	5.46	41.38	5.54	41.16	5.64	40.04	5.73
	32	28	47.13	5.55	45.92	5.64	44.95	5.73	43.66	5.84	42.52	5.93
	41	37	49.45	5.85	48.17	5.94	47.19	6.03	45.88	6.14	44.73	6.24
	47	43	51.79	5.63	50.46	5.66	49.57	5.75	48.14	5.85	46.81	5.95
	50	47	47.08	4.88	45.88	4.90	45.06	4.99	43.76	5.08	42.56	5.16
	59	50	42.27	4.19	41.19	4.21	40.46	4.29	39.29	4.36	38.21	4.41
68	59	37.35	3.57	36.39	3.59	35.75	3.65	34.72	3.71	33.76	3.76	
75	65	26.94	2.82	26.25	2.85	25.79	2.89	25.04	2.93	24.35	2.96	

OUTDOOR UNIT
WHP18-42M

OUTDOOR UNIT
WHP18-42M

Indoor unit connecting capacity	Outdoor temperature		Indoor temperature									
			60 °FDB		65 °FDB		70 °FDB		75 °FDB		78 °FDB	
			TC	IP	TC	IP	TC	IP	TC	IP	TC	IP
kBtu/h	°FDB	°FWB	kBtu/h	kW	kBtu/h	kW	kBtu/h	kW	kBtu/h	kW	kBtu/h	kW
07 + 18 + 18	-13	-15	25.52	3.40	25.22	3.45	25.06	3.50	24.36	3.55	23.54	3.60
	-5	-7	31.06	3.94	30.26	3.99	29.52	4.07	28.93	4.12	28.04	4.18
	5	3	37.46	4.47	36.55	4.55	35.80	4.62	35.37	4.69	34.52	4.76
	14	12	43.08	5.17	42.01	5.25	39.38	5.35	39.96	5.43	38.85	5.51
	23	19	44.87	5.45	43.77	5.54	41.90	5.63	41.67	5.73	40.54	5.82
	32	28	48.12	5.67	46.88	5.77	45.89	5.86	44.57	5.97	43.42	6.06
	41	37	50.90	6.02	49.58	6.11	48.57	6.20	47.22	6.32	46.04	6.43
	47	43	53.73	5.83	52.36	5.86	51.43	5.96	49.94	6.06	48.57	6.16
	50	47	48.85	5.04	47.60	5.07	46.75	5.17	45.40	5.25	44.15	5.34
	59	50	43.85	4.33	42.73	4.35	41.97	4.43	40.76	4.51	39.64	4.56
68	59	38.75	3.68	37.76	3.71	37.09	3.76	36.02	3.82	35.03	3.88	
75	65	27.95	2.90	27.24	2.93	26.75	2.97	25.98	3.01	25.26	3.05	
09 + 09 + 12	-13	-15	21.39	3.40	21.14	3.45	21.00	3.50	20.41	3.55	19.73	3.60
	-5	-7	26.03	3.94	25.36	3.99	24.74	4.07	24.24	4.12	23.49	4.18
	5	3	31.39	4.47	30.63	4.55	30.00	4.62	29.64	4.69	28.93	4.76
	14	12	35.01	5.04	34.14	5.12	32.01	5.22	32.47	5.30	31.57	5.38
	23	19	35.38	5.18	34.51	5.27	33.04	5.35	32.86	5.45	31.97	5.53
	32	28	36.83	5.27	35.89	5.35	35.13	5.44	34.12	5.54	33.23	5.63
	41	37	37.83	5.45	36.86	5.54	36.10	5.61	35.10	5.72	34.22	5.81
	47	43	38.80	5.16	37.81	5.19	37.13	5.27	36.06	5.36	35.07	5.45
	50	47	35.27	4.48	34.37	4.51	33.76	4.59	32.79	4.66	31.88	4.74
	59	50	31.67	3.87	30.85	3.89	30.31	3.96	29.43	4.02	28.62	4.07
68	59	27.98	3.31	27.27	3.33	26.78	3.38	26.01	3.43	25.29	3.48	
75	65	20.18	2.64	19.67	2.66	19.32	2.70	18.76	2.74	18.24	2.77	
09 + 09 + 18	-13	-15	25.67	3.40	25.37	3.45	25.20	3.50	24.50	3.55	23.67	3.60
	-5	-7	31.24	3.94	30.43	3.99	29.69	4.07	29.09	4.12	28.19	4.18
	5	3	37.67	4.47	36.75	4.55	36.00	4.62	35.57	4.69	34.71	4.76
	14	12	42.34	5.07	41.29	5.15	38.71	5.25	39.27	5.33	38.18	5.41
	23	19	43.12	5.25	42.06	5.34	40.27	5.42	40.05	5.52	38.96	5.60
	32	28	45.25	5.37	44.08	5.46	43.15	5.54	41.91	5.65	40.82	5.74
	41	37	46.85	5.59	45.63	5.68	44.70	5.76	43.46	5.87	42.38	5.97
	47	43	48.43	5.33	47.19	5.35	46.35	5.45	45.01	5.54	43.77	5.63
	50	47	44.03	4.62	42.90	4.65	42.14	4.73	40.92	4.81	39.79	4.89
	59	50	39.53	3.98	38.51	4.00	37.83	4.08	36.74	4.15	35.73	4.19
68	59	34.93	3.40	34.03	3.42	33.43	3.48	32.46	3.53	31.57	3.58	
75	65	25.19	2.71	24.55	2.73	24.11	2.77	23.42	2.81	22.77	2.84	
09 + 09 + 24	-13	-15	25.67	3.40	25.37	3.45	25.20	3.50	24.50	3.55	23.67	3.60
	-5	-7	31.24	3.94	30.43	3.99	29.69	4.07	29.09	4.12	28.19	4.18
	5	3	37.67	4.47	36.75	4.55	36.00	4.62	35.57	4.69	34.71	4.76
	14	12	42.80	5.12	41.73	5.20	39.12	5.29	39.69	5.38	38.60	5.46
	23	19	44.05	5.34	42.97	5.43	41.14	5.52	40.91	5.62	39.80	5.70
	32	28	46.71	5.51	45.51	5.60	44.55	5.69	43.27	5.80	42.15	5.89
	41	37	48.87	5.79	47.61	5.88	46.64	5.97	45.34	6.08	44.21	6.18
	47	43	51.04	5.56	49.74	5.65	48.85	5.69	47.45	5.78	46.14	5.88
	50	47	46.40	4.82	45.21	4.85	44.41	4.94	43.13	5.02	41.94	5.10
	59	50	41.66	4.14	40.59	4.16	39.87	4.24	38.72	4.32	37.65	4.37
68	59	36.81	3.53	35.87	3.56	35.23	3.61	34.22	3.67	33.27	3.72	
75	65	26.55	2.80	25.87	2.82	25.41	2.86	24.68	2.90	24.00	2.94	
09 + 12 + 12	-13	-15	24.24	3.40	23.96	3.45	23.80	3.50	23.13	3.55	22.36	3.60
	-5	-7	29.50	3.94	28.74	3.99	28.04	4.07	27.47	4.12	26.63	4.18
	5	3	35.57	4.47	34.71	4.55	34.00	4.62	33.59	4.69	32.78	4.76
	14	12	39.87	5.06	38.87	5.14	36.44	5.24	36.97	5.32	35.95	5.40
	23	19	40.47	5.22	39.48	5.31	37.79	5.39	37.59	5.49	36.57	5.58
	32	28	42.34	5.33	41.25	5.41	40.38	5.50	39.21	5.60	38.20	5.69
	41	37	43.70	5.54	42.57	5.62	41.70	5.70	40.54	5.81	39.53	5.91
	47	43	45.03	5.26	43.88	5.29	43.10	5.38	41.86	5.47	40.70	5.56
	50	47	40.94	4.57	39.89	4.59	39.18	4.68	38.05	4.75	37.00	4.83
	59	50	36.75	3.93	35.81	3.96	35.18	4.03	34.16	4.10	33.22	4.14
68	59	32.48	3.36	31.64	3.39	31.08	3.44	30.19	3.49	29.36	3.54	
75	65	23.43	2.68	22.82	2.70	22.42	2.74	21.77	2.78	21.17	2.81	
09 + 12 + 18	-13	-15	25.67	3.40	25.37	3.45	25.20	3.50	24.50	3.55	23.67	3.60
	-5	-7	31.24	3.94	30.43	3.99	29.69	4.07	29.09	4.12	28.19	4.18
	5	3	37.67	4.47	36.75	4.55	36.00	4.62	35.57	4.69	34.71	4.76
	14	12	42.61	5.10	41.54	5.18	38.94	5.27	39.51	5.36	38.42	5.44
	23	19	43.65	5.30	42.58	5.39	40.76	5.48	40.54	5.57	39.44	5.66
	32	28	46.08	5.45	44.90	5.54	43.95	5.63	42.69	5.73	41.58	5.82
	41	37	48.00	5.71	46.76	5.80	45.81	5.88	44.53	5.99	43.42	6.09
	47	43	49.92	5.46	48.64	5.49	47.78	5.58	46.40	5.68	45.12	5.77
	50	47	45.38	4.74	44.22	4.76	43.44	4.85	42.18	4.93	41.02	5.01
	59	50	40.74	4.07	39.70	4.09	39.00	4.17	37.87	4.24	36.83	4.29
68	59	36.00	3.47	35.08	3.50	34.46	3.55	33.47	3.61	32.54	3.66	
75	65	25.97	2.76	25.30	2.78	24.86	2.82	24.14	2.86	23.47	2.89	
09 + 12 + 24	-13	-15	25.67	3.40	25.37	3.45	25.20	3.50	24.50	3.55	23.67	3.60
	-5	-7	31.24	3.94	30.43	3.99	29.69	4.07	29.09	4.12	28.19	4.18
	5	3	37.67	4.47	36.75	4.55	36.00	4.62	35.57	4.69	34.71	4.76
	14	12	42.93	5.13	41.86	5.21	39.24	5.31	39.82	5.39	38.71	5.47
	23	19	44.32	5.37	43.23	5.46	41.38	5.54	41.16	5.64	40.04	5.73
	32	28	47.13	5.55	45.92	5.64	44.95	5.73	43.66	5.84	42.52	5.93
	41	37	49.45	5.85	48.17	5.94	47.19	6.03	45.88	6.14	44.73	6.24
	47	43	51.79	5.63	50.46	5.66	49.57	5.75	48.14	5.85	46.81	5.95
	50	47	47.08	4.88	45.88	4.90	45.06	4.99	43.76	5.08	42.56	5.16
	59	50	42.27	4.19	41.19	4.21	40.46	4.29	39.29	4.36	38.21	4.41
68	59	37.35	3.57	36.39	3.59	35.75	3.65	34.72	3.71	33.76	3.76	
75	65	26.94	2.82	26.25	2.85	25.79	2.89	25.04	2.93	24.35	2.96	

OUTDOOR UNIT
WHP18-42M

OUTDOOR UNIT
WHP18-42M

Indoor unit connecting capacity	Outdoor temperature		Indoor temperature									
			60 °FDB		65 °FDB		70 °FDB		75 °FDB		78 °FDB	
			TC	IP	TC	IP	TC	IP	TC	IP	TC	IP
kBtu/h	°FDB	°FWB	kBtu/h	kW	kBtu/h	kW	kBtu/h	kW	kBtu/h	kW	kBtu/h	kW
09 + 18 + 18	-13	-15	25.52	3.40	25.22	3.45	25.06	3.50	24.36	3.55	23.54	3.60
	-5	-7	31.06	3.94	30.26	3.99	29.52	4.07	28.93	4.12	28.04	4.18
	5	3	37.46	4.47	36.55	4.55	35.80	4.62	35.37	4.69	34.52	4.76
	14	12	43.08	5.17	42.01	5.25	39.38	5.35	39.96	5.43	38.85	5.51
	23	19	44.87	5.45	43.77	5.54	41.90	5.63	41.67	5.73	40.54	5.82
	32	28	48.12	5.67	46.88	5.77	45.89	5.86	44.57	5.97	43.42	6.06
	41	37	50.90	6.02	49.58	6.11	48.57	6.20	47.22	6.32	46.04	6.43
	47	43	53.73	5.83	52.36	5.86	51.43	5.96	49.94	6.06	48.57	6.16
	50	47	48.85	5.04	47.60	5.07	46.75	5.17	45.40	5.25	44.15	5.34
	59	50	43.85	4.33	42.73	4.35	41.97	4.43	40.76	4.51	39.64	4.56
68	59	38.75	3.68	37.76	3.71	37.09	3.76	36.02	3.82	35.03	3.88	
75	65	27.95	2.90	27.24	2.93	26.75	2.97	25.98	3.01	25.26	3.05	
12 + 12 + 12	-13	-15	25.67	3.40	25.37	3.45	25.20	3.50	24.50	3.55	23.67	3.60
	-5	-7	31.24	3.94	30.43	3.99	29.69	4.07	29.09	4.12	28.19	4.18
	5	3	37.67	4.47	36.75	4.55	36.00	4.62	35.57	4.69	34.71	4.76
	14	12	42.34	5.07	41.29	5.15	38.71	5.25	39.27	5.33	38.18	5.41
	23	19	43.12	5.25	42.06	5.34	40.27	5.42	40.05	5.52	38.96	5.60
	32	28	45.25	5.37	44.08	5.46	43.15	5.54	41.91	5.65	40.82	5.74
	41	37	46.85	5.59	45.63	5.68	44.70	5.76	43.46	5.87	42.38	5.97
	47	43	48.43	5.33	47.19	5.35	46.35	5.45	45.01	5.54	43.77	5.63
	50	47	44.03	4.62	42.90	4.65	42.14	4.73	40.92	4.81	39.79	4.89
	59	50	39.53	3.98	38.51	4.00	37.83	4.08	36.74	4.15	35.73	4.19
68	59	34.93	3.40	34.03	3.42	33.43	3.48	32.46	3.53	31.57	3.58	
75	65	25.19	2.71	24.55	2.73	24.11	2.77	23.42	2.81	22.77	2.84	
12 + 12 + 18	-13	-15	25.67	3.40	25.37	3.45	25.20	3.50	24.50	3.55	23.67	3.60
	-5	-7	31.24	3.94	30.43	3.99	29.69	4.07	29.09	4.12	28.19	4.18
	5	3	37.67	4.47	36.75	4.55	36.00	4.62	35.57	4.69	34.71	4.76
	14	12	42.80	5.12	41.73	5.20	39.12	5.29	39.69	5.38	38.60	5.46
	23	19	44.05	5.34	42.97	5.43	41.14	5.52	40.91	5.62	39.80	5.70
	32	28	46.71	5.51	45.51	5.60	44.55	5.69	43.27	5.80	42.15	5.89
	41	37	48.87	5.79	47.61	5.88	46.64	5.97	45.34	6.08	44.21	6.18
	47	43	51.04	5.56	49.74	5.59	48.85	5.69	47.45	5.78	46.14	5.88
	50	47	46.40	4.82	45.21	4.85	44.41	4.94	43.13	5.02	41.94	5.10
	59	50	41.66	4.14	40.59	4.16	39.87	4.24	38.72	4.32	37.65	4.37
68	59	36.81	3.53	35.87	3.56	35.23	3.61	34.22	3.67	33.27	3.72	
75	65	26.55	2.80	25.87	2.82	25.41	2.86	24.68	2.90	24.00	2.94	
07 + 07 + 07 + 09	-13	-15	25.67	3.40	25.37	3.45	25.20	3.50	24.50	3.55	23.67	3.60
	-5	-7	31.24	3.94	30.43	3.99	29.69	4.07	29.09	4.12	28.19	4.18
	5	3	37.67	4.47	36.75	4.55	36.00	4.62	35.57	4.69	34.71	4.76
	14	12	42.34	5.07	41.29	5.15	38.71	5.25	39.27	5.33	38.18	5.41
	23	19	43.12	5.25	42.06	5.34	40.27	5.42	40.05	5.52	38.96	5.60
	32	28	45.25	5.37	44.08	5.46	43.15	5.54	41.91	5.65	40.82	5.74
	41	37	46.85	5.59	45.63	5.68	44.70	5.76	43.46	5.87	42.38	5.97
	47	43	48.43	5.33	47.19	5.35	46.35	5.45	45.01	5.54	43.77	5.63
	50	47	44.03	4.62	42.90	4.65	42.14	4.73	40.92	4.81	39.79	4.89
	59	50	39.53	3.98	38.51	4.00	37.83	4.08	36.74	4.15	35.73	4.19
68	59	34.93	3.40	34.03	3.42	33.43	3.48	32.46	3.53	31.57	3.58	
75	65	25.19	2.71	24.55	2.73	24.11	2.77	23.42	2.81	22.77	2.84	
07 + 07 + 07 + 12	-13	-15	25.67	3.40	25.37	3.45	25.20	3.50	24.50	3.55	23.67	3.60
	-5	-7	31.24	3.94	30.43	3.99	29.69	4.07	29.09	4.12	28.19	4.18
	5	3	37.67	4.47	36.75	4.55	36.00	4.62	35.57	4.69	34.71	4.76
	14	12	42.61	5.10	41.54	5.18	38.94	5.27	39.51	5.36	38.42	5.44
	23	19	43.65	5.30	42.58	5.39	40.76	5.48	40.54	5.57	39.44	5.66
	32	28	46.08	5.45	44.90	5.54	43.95	5.63	42.69	5.73	41.58	5.82
	41	37	48.00	5.71	46.76	5.80	45.81	5.88	44.53	5.99	43.42	6.09
	47	43	49.92	5.46	48.64	5.49	47.78	5.58	46.40	5.68	45.12	5.77
	50	47	45.38	4.74	44.22	4.76	43.44	4.85	42.18	4.93	41.02	5.01
	59	50	40.74	4.07	39.70	4.09	39.00	4.17	37.87	4.24	36.83	4.29
68	59	36.00	3.47	35.08	3.50	34.46	3.55	33.47	3.61	32.54	3.66	
75	65	25.97	2.76	25.30	2.78	24.86	2.82	24.14	2.86	23.47	2.89	
07 + 07 + 07 + 18	-13	-15	25.67	3.40	25.37	3.45	25.20	3.50	24.50	3.55	23.67	3.60
	-5	-7	31.24	3.94	30.43	3.99	29.69	4.07	29.09	4.12	28.19	4.18
	5	3	37.67	4.47	36.75	4.55	36.00	4.62	35.57	4.69	34.71	4.76
	14	12	42.93	5.13	41.86	5.21	39.24	5.31	39.82	5.39	38.71	5.47
	23	19	44.32	5.37	43.23	5.46	41.38	5.54	41.16	5.64	40.04	5.73
	32	28	47.13	5.55	45.92	5.64	44.95	5.73	43.66	5.84	42.52	5.93
	41	37	49.45	5.85	48.17	5.94	47.19	6.03	45.88	6.14	44.73	6.24
	47	43	51.79	5.63	50.46	5.66	49.57	5.75	48.14	5.85	46.81	5.95
	50	47	47.08	4.88	45.88	4.90	45.06	4.99	43.76	5.08	42.56	5.16
	59	50	42.27	4.19	41.19	4.21	40.46	4.29	39.29	4.36	38.21	4.41
68	59	37.35	3.57	36.39	3.59	35.75	3.65	34.72	3.71	33.76	3.76	
75	65	26.94	2.82	26.25	2.85	25.79	2.89	25.04	2.93	24.35	2.96	
07 + 07 + 07 + 24	-13	-15	25.67	2.40	25.37	2.45	25.20	2.50	24.50	2.55	23.67	2.60
	-5	-7	31.24	2.94	30.43	2.99	29.69	3.07	29.09	3.12	28.19	3.18
	5	3	37.67	3.47	36.75	3.55	36.00	3.62	35.57	3.69	34.71	3.76
	14	12	43.32	4.17	42.24	4.25	39.60	4.35	40.18	4.43	39.07	4.51
	23	19	45.12	4.45	44.01	4.54	42.13	4.63	41.90	4.73	40.76	4.82
	32	28	48.39	4.67	47.14	4.77	46.15	4.86	44.82	4.97	43.66	5.06
	41	37	51.18	5.02	49.86	5.11	48.84	5.20	47.49	5.32	46.30	5.43
	47	43	54.03	4.83	52.65	4.86	51.71	4.96	50.22	5.06	48.84	5.16
	50	47	49.12	4.04	47.86	4.07	47.01	4.17	45.66	4.25	44.40	4.34
	59	50	44.10	3.33	42.97	3.35	42.21	3.43	40.99	3.51	39.86	3.56
68	59	38.97	2.68	37.97	2.71	37.30	2.76	36.22	2.82	35.22	2.88	
75	65	28.11	1.90	27.39	1.93	26.90	1.97	26.13	2.01	25.41	2.05	

OUTDOOR UNIT
WHP18-42M

OUTDOOR UNIT
WHP18-42M

Indoor unit connecting capacity	Outdoor temperature		Indoor temperature									
			60 °FDB		65 °FDB		70 °FDB		75 °FDB		78 °FDB	
			TC	IP	TC	IP	TC	IP	TC	IP	TC	IP
kBtu/h	°FDB	°FWB	kBtu/h	kW	kBtu/h	kW	kBtu/h	kW	kBtu/h	kW	kBtu/h	kW
07 + 07 + 09 + 09	-13	-15	25.67	3.40	25.37	3.45	25.20	3.50	24.50	3.55	23.67	3.60
	-5	-7	31.24	3.94	30.43	3.99	29.69	4.07	29.09	4.12	28.19	4.18
	5	3	37.67	4.47	36.75	4.55	36.00	4.62	35.57	4.69	34.71	4.76
	14	12	42.34	5.07	41.29	5.15	38.71	5.25	39.27	5.33	38.18	5.41
	23	19	43.12	5.25	42.06	5.34	40.27	5.42	40.05	5.52	38.96	5.60
	32	28	45.25	5.37	44.08	5.46	43.15	5.54	41.91	5.65	40.82	5.74
	41	37	46.85	5.59	45.63	5.68	44.70	5.76	43.46	5.87	42.38	5.97
	47	43	48.43	5.33	47.19	5.35	46.35	5.45	45.01	5.54	43.77	5.63
	50	47	44.03	4.62	42.90	4.65	42.14	4.73	40.92	4.81	39.79	4.89
	59	50	39.53	3.98	38.51	4.00	37.83	4.08	36.74	4.15	35.73	4.19
68	59	34.93	3.40	34.03	3.42	33.43	3.48	32.46	3.53	31.57	3.58	
75	65	25.19	2.71	24.55	2.73	24.11	2.77	23.42	2.81	22.77	2.84	
07 + 07 + 09 + 12	-13	-15	25.67	3.40	25.37	3.45	25.20	3.50	24.50	3.55	23.67	3.60
	-5	-7	31.24	3.94	30.43	3.99	29.69	4.07	29.09	4.12	28.19	4.18
	5	3	37.67	4.47	36.75	4.55	36.00	4.62	35.57	4.69	34.71	4.76
	14	12	42.61	5.10	41.54	5.18	38.94	5.27	39.51	5.36	38.42	5.44
	23	19	43.65	5.30	42.58	5.39	40.76	5.48	40.54	5.57	39.44	5.66
	32	28	46.08	5.45	44.90	5.54	43.95	5.63	42.69	5.73	41.58	5.82
	41	37	48.00	5.71	46.76	5.80	45.81	5.88	44.53	5.99	43.42	6.09
	47	43	49.92	5.46	48.64	5.49	47.78	5.58	46.40	5.68	45.12	5.77
	50	47	45.38	4.74	44.22	4.76	43.44	4.85	42.18	4.93	41.02	5.01
	59	50	40.74	4.07	39.70	4.09	39.00	4.17	37.87	4.24	36.83	4.29
68	59	36.00	3.47	35.08	3.50	34.46	3.55	33.47	3.61	32.54	3.66	
75	65	25.97	2.76	25.30	2.78	24.86	2.82	24.14	2.86	23.47	2.89	
07 + 07 + 09 + 18	-13	-15	25.67	3.40	25.37	3.45	25.20	3.50	24.50	3.55	23.67	3.60
	-5	-7	31.24	3.94	30.43	3.99	29.69	4.07	29.09	4.12	28.19	4.18
	5	3	37.67	4.47	36.75	4.55	36.00	4.62	35.57	4.69	34.71	4.76
	14	12	42.93	5.13	41.86	5.21	39.24	5.31	39.82	5.39	38.71	5.47
	23	19	44.32	5.37	43.23	5.46	41.38	5.54	41.16	5.64	40.04	5.73
	32	28	47.13	5.55	45.92	5.64	44.95	5.73	43.66	5.84	42.52	5.93
	41	37	49.45	5.85	48.17	5.94	47.19	6.03	45.88	6.14	44.73	6.24
	47	43	51.79	5.63	50.46	5.66	49.57	5.75	48.14	5.85	46.81	5.95
	50	47	47.08	4.88	45.88	4.90	45.06	4.99	43.76	5.08	42.56	5.16
	59	50	42.27	4.19	41.19	4.21	40.46	4.29	39.29	4.36	38.21	4.41
68	59	37.35	3.57	36.39	3.59	35.75	3.65	34.72	3.71	33.76	3.76	
75	65	26.94	2.82	26.25	2.85	25.79	2.89	25.04	2.93	24.35	2.96	
07 + 07 + 12 + 12	-13	-15	25.67	3.40	25.37	3.45	25.20	3.50	24.50	3.55	23.67	3.60
	-5	-7	31.24	3.94	30.43	3.99	29.69	4.07	29.09	4.12	28.19	4.18
	5	3	37.67	4.47	36.75	4.55	36.00	4.62	35.57	4.69	34.71	4.76
	14	12	42.80	5.12	41.73	5.20	39.12	5.29	39.69	5.38	38.60	5.46
	23	19	44.05	5.34	42.97	5.43	41.14	5.52	40.91	5.62	39.80	5.70
	32	28	46.71	5.51	45.51	5.60	44.55	5.69	43.27	5.80	42.15	5.89
	41	37	48.87	5.79	47.61	5.88	46.64	5.97	45.34	6.08	44.21	6.18
	47	43	51.04	5.56	49.74	5.59	48.85	5.69	47.45	5.78	46.14	5.88
	50	47	46.40	4.82	45.21	4.85	44.41	4.94	43.13	5.02	41.94	5.10
	59	50	41.66	4.14	40.59	4.16	39.87	4.24	38.72	4.32	37.65	4.37
68	59	36.81	3.53	35.87	3.56	35.23	3.61	34.22	3.67	33.27	3.72	
75	65	26.55	2.80	25.87	2.82	25.41	2.86	24.68	2.90	24.00	2.94	
07 + 09 + 09 + 09	-13	-15	25.67	3.40	25.37	3.45	25.20	3.50	24.50	3.55	23.67	3.60
	-5	-7	31.24	3.94	30.43	3.99	29.69	4.07	29.09	4.12	28.19	4.18
	5	3	37.67	4.47	36.75	4.55	36.00	4.62	35.57	4.69	34.71	4.76
	14	12	42.34	5.07	41.29	5.15	38.71	5.25	39.27	5.33	38.18	5.41
	23	19	43.12	5.25	42.06	5.34	40.27	5.42	40.05	5.52	38.96	5.60
	32	28	45.25	5.37	44.08	5.46	43.15	5.54	41.91	5.65	40.82	5.74
	41	37	46.85	5.59	45.63	5.68	44.70	5.76	43.46	5.87	42.38	5.97
	47	43	48.43	5.33	47.19	5.35	46.35	5.45	45.01	5.54	43.77	5.63
	50	47	44.03	4.62	42.90	4.65	42.14	4.73	40.92	4.81	39.79	4.89
	59	50	39.53	3.98	38.51	4.00	37.83	4.08	36.74	4.15	35.73	4.19
68	59	34.93	3.40	34.03	3.42	33.43	3.48	32.46	3.53	31.57	3.58	
75	65	25.19	2.71	24.55	2.73	24.11	2.77	23.42	2.81	22.77	2.84	
07 + 09 + 09 + 12	-13	-15	25.67	3.40	25.37	3.45	25.20	3.50	24.50	3.55	23.67	3.60
	-5	-7	31.24	3.94	30.43	3.99	29.69	4.07	29.09	4.12	28.19	4.18
	5	3	37.67	4.47	36.75	4.55	36.00	4.62	35.57	4.69	34.71	4.76
	14	12	42.61	5.10	41.54	5.18	38.94	5.27	39.51	5.36	38.42	5.44
	23	19	43.65	5.30	42.58	5.39	40.76	5.48	40.54	5.57	39.44	5.66
	32	28	46.08	5.45	44.90	5.54	43.95	5.63	42.69	5.73	41.58	5.82
	41	37	48.00	5.71	46.76	5.80	45.81	5.88	44.53	5.99	43.42	6.09
	47	43	49.92	5.46	48.64	5.49	47.78	5.58	46.40	5.68	45.12	5.77
	50	47	45.38	4.74	44.22	4.76	43.44	4.85	42.18	4.93	41.02	5.01
	59	50	40.74	4.07	39.70	4.09	39.00	4.17	37.87	4.24	36.83	4.29
68	59	36.00	3.47	35.08	3.50	34.46	3.55	33.47	3.61	32.54	3.66	
75	65	25.97	2.76	25.30	2.78	24.86	2.82	24.14	2.86	23.47	2.89	
07 + 09 + 09 + 18	-13	-15	25.67	3.40	25.37	3.45	25.20	3.50	24.50	3.55	23.67	3.60
	-5	-7	31.24	3.94	30.43	3.99	29.69	4.07	29.09	4.12	28.19	4.18
	5	3	37.67	4.47	36.75	4.55	36.00	4.62	35.57	4.69	34.71	4.76
	14	12	42.93	5.13	41.86	5.21	39.24	5.31	39.82	5.39	38.71	5.47
	23	19	44.32	5.37	43.23	5.46	41.38	5.54	41.16	5.64	40.04	5.73
	32	28	47.13	5.55	45.92	5.64	44.95	5.73	43.66	5.84	42.52	5.93
	41	37	49.45	5.85	48.17	5.94	47.19	6.03	45.88	6.14	44.73	6.24
	47	43	51.79	5.63	50.46	5.66	49.57	5.75	48.14	5.85	46.81	5.95
	50	47	47.08	4.88	45.88	4.90	45.06	4.99	43.76	5.08	42.56	5.16
	59	50	42.27	4.19	41.19	4.21	40.46	4.29	39.29	4.36	38.21	4.41
68	59	37.35	3.57	36.39	3.59	35.75	3.65	34.72	3.71	33.76	3.76	
75	65	26.94	2.82	26.25	2.85	25.79	2.89	25.04	2.93	24.35	2.96	

OUTDOOR UNIT
WHP18-42M

OUTDOOR UNIT
WHP18-42M

Indoor unit connecting capacity	Outdoor temperature		Indoor temperature									
			60 °FDB		65 °FDB		70 °FDB		75 °FDB		78 °FDB	
			TC	IP	TC	IP	TC	IP	TC	IP	TC	IP
kBtu/h	°FDB	°FWB	kBtu/h	kW	kBtu/h	kW	kBtu/h	kW	kBtu/h	kW	kBtu/h	kW
07 + 09 + 12 + 12	-13	-15	25.67	3.40	25.37	3.45	25.20	3.50	24.50	3.55	23.67	3.60
	-5	-7	31.24	3.94	30.43	3.99	29.69	4.07	29.09	4.12	28.19	4.18
	5	3	37.67	4.47	36.75	4.55	36.00	4.62	35.57	4.69	34.71	4.76
	14	12	42.80	5.12	41.73	5.20	39.12	5.29	39.69	5.38	38.60	5.46
	23	19	44.05	5.34	42.97	5.43	41.14	5.52	40.91	5.62	39.80	5.70
	32	28	46.71	5.51	45.51	5.60	44.55	5.69	43.27	5.80	42.15	5.89
	41	37	48.87	5.79	47.61	5.88	46.64	5.97	45.34	6.08	44.21	6.18
	47	43	51.04	5.56	49.74	5.59	48.85	5.69	47.45	5.78	46.14	5.88
	50	47	46.40	4.82	45.21	4.85	44.41	4.94	43.13	5.02	41.94	5.10
	59	50	41.66	4.14	40.59	4.16	39.87	4.24	38.72	4.32	37.65	4.37
68	59	36.81	3.53	35.87	3.56	35.23	3.61	34.22	3.67	33.27	3.72	
75	65	26.55	2.80	25.87	2.82	25.41	2.86	24.68	2.90	24.00	2.94	
07 + 09 + 12 + 18	-13	-15	25.67	2.40	25.37	2.45	25.20	2.50	24.50	2.55	23.67	2.60
	-5	-7	31.24	2.94	30.43	2.99	29.69	3.07	29.09	3.12	28.19	3.18
	5	3	37.67	3.47	36.75	3.55	36.00	3.62	35.57	3.69	34.71	3.76
	14	12	43.19	4.15	42.12	4.24	39.48	4.33	40.06	4.42	38.95	4.50
	23	19	44.85	4.42	43.75	4.51	41.88	4.60	41.65	4.70	40.52	4.79
	32	28	47.97	4.63	46.74	4.72	45.75	4.82	44.43	4.93	43.28	5.02
	41	37	50.60	4.96	49.30	5.06	48.29	5.14	46.95	5.26	45.78	5.37
	47	43	53.29	4.76	51.92	4.79	51.00	4.89	49.53	4.99	48.16	5.09
	50	47	48.44	3.99	47.20	4.02	46.36	4.11	45.03	4.19	43.78	4.28
	59	50	43.49	3.28	42.37	3.30	41.62	3.38	40.42	3.46	39.31	3.51
68	59	38.43	2.64	37.44	2.67	36.78	2.72	35.72	2.79	34.74	2.84	
75	65	27.72	1.88	27.01	1.90	26.53	1.95	25.77	1.99	25.05	2.02	
07 + 12 + 12 + 12	-13	-15	25.67	3.40	25.37	3.45	25.20	3.50	24.50	3.55	23.67	3.60
	-5	-7	31.24	3.94	30.43	3.99	29.69	4.07	29.09	4.12	28.19	4.18
	5	3	37.67	4.47	36.75	4.55	36.00	4.62	35.57	4.69	34.71	4.76
	14	12	42.93	5.13	41.86	5.21	39.24	5.31	39.82	5.39	38.71	5.47
	23	19	44.32	5.37	43.23	5.46	41.38	5.54	41.16	5.64	40.04	5.73
	32	28	47.13	5.55	45.92	5.64	44.95	5.73	43.66	5.84	42.52	5.93
	41	37	49.45	5.85	48.17	5.94	47.19	6.03	45.88	6.14	44.73	6.24
	47	43	51.79	5.63	50.46	5.66	49.57	5.75	48.14	5.85	46.81	5.95
	50	47	47.08	4.88	45.88	4.90	45.06	4.99	43.76	5.08	42.56	5.16
	59	50	42.27	4.19	41.19	4.21	40.46	4.29	39.29	4.36	38.21	4.41
68	59	37.35	3.57	36.39	3.59	35.75	3.65	34.72	3.71	33.76	3.76	
75	65	26.94	2.82	26.25	2.85	25.79	2.89	25.04	2.93	24.35	2.96	
09 + 09 + 09 + 09	-13	-15	25.67	3.40	25.37	3.45	25.20	3.50	24.50	3.55	23.67	3.60
	-5	-7	31.24	3.94	30.43	3.99	29.69	4.07	29.09	4.12	28.19	4.18
	5	3	37.67	4.47	36.75	4.55	36.00	4.62	35.57	4.69	34.71	4.76
	14	12	42.34	5.07	41.29	5.15	38.71	5.25	39.27	5.33	38.18	5.41
	23	19	43.12	5.25	42.06	5.34	40.27	5.42	40.05	5.52	38.96	5.60
	32	28	45.25	5.37	44.08	5.46	43.15	5.54	41.91	5.65	40.82	5.74
	41	37	46.85	5.59	45.63	5.68	44.70	5.76	43.46	5.87	42.38	5.97
	47	43	48.43	5.33	47.19	5.35	46.35	5.45	45.01	5.54	43.77	5.63
	50	47	44.03	4.62	42.90	4.65	42.14	4.73	40.92	4.81	39.79	4.89
	59	50	39.53	3.98	38.51	4.00	37.83	4.08	36.74	4.15	35.73	4.19
68	59	34.93	3.40	34.03	3.42	33.43	3.48	32.46	3.53	31.57	3.58	
75	65	25.19	2.71	24.55	2.73	24.11	2.77	23.42	2.81	22.77	2.84	
09 + 09 + 09 + 12	-13	-15	25.67	3.40	25.37	3.45	25.20	3.50	24.50	3.55	23.67	3.60
	-5	-7	31.24	3.94	30.43	3.99	29.69	4.07	29.09	4.12	28.19	4.18
	5	3	37.67	4.47	36.75	4.55	36.00	4.62	35.57	4.69	34.71	4.76
	14	12	42.61	5.10	41.54	5.18	38.94	5.27	39.51	5.36	38.42	5.44
	23	19	43.65	5.30	42.58	5.39	40.76	5.48	40.54	5.57	39.44	5.66
	32	28	46.08	5.45	44.90	5.54	43.95	5.63	42.69	5.73	41.58	5.82
	41	37	48.00	5.71	46.76	5.80	45.81	5.88	44.53	5.99	43.42	6.09
	47	43	49.92	5.46	48.64	5.49	47.78	5.58	46.40	5.68	45.12	5.77
	50	47	45.38	4.74	44.22	4.76	43.44	4.85	42.18	4.93	41.02	5.01
	59	50	40.74	4.07	39.70	4.09	39.00	4.17	37.87	4.24	36.83	4.29
68	59	36.00	3.47	35.08	3.50	34.46	3.55	33.47	3.61	32.54	3.66	
75	65	25.97	2.76	25.30	2.78	24.86	2.82	24.14	2.86	23.47	2.89	
09 + 09 + 09 + 18	-13	-15	25.67	3.40	25.37	3.45	25.20	3.50	24.50	3.55	23.67	3.60
	-5	-7	31.24	3.94	30.43	3.99	29.69	4.07	29.09	4.12	28.19	4.18
	5	3	37.67	4.47	36.75	4.55	36.00	4.62	35.57	4.69	34.71	4.76
	14	12	42.93	5.13	41.86	5.21	39.24	5.31	39.82	5.39	38.71	5.47
	23	19	44.32	5.37	43.23	5.46	41.38	5.54	41.16	5.64	40.04	5.73
	32	28	47.13	5.55	45.92	5.64	44.95	5.73	43.66	5.84	42.52	5.93
	41	37	49.45	5.85	48.17	5.94	47.19	6.03	45.88	6.14	44.73	6.24
	47	43	51.79	5.63	50.46	5.66	49.57	5.75	48.14	5.85	46.81	5.95
	50	47	47.08	4.88	45.88	4.90	45.06	4.99	43.76	5.08	42.56	5.16
	59	50	42.27	4.19	41.19	4.21	40.46	4.29	39.29	4.36	38.21	4.41
68	59	37.35	3.57	36.39	3.59	35.75	3.65	34.72	3.71	33.76	3.76	
75	65	26.94	2.82	26.25	2.85	25.79	2.89	25.04	2.93	24.35	2.96	
09 + 09 + 12 + 12	-13	-15	25.67	3.40	25.37	3.45	25.20	3.50	24.50	3.55	23.67	3.60
	-5	-7	31.24	3.94	30.43	3.99	29.69	4.07	29.09	4.12	28.19	4.18
	5	3	37.67	4.47	36.75	4.55	36.00	4.62	35.57	4.69	34.71	4.76
	14	12	42.80	5.12	41.73	5.20	39.12	5.29	39.69	5.38	38.60	5.46
	23	19	44.05	5.34	42.97	5.43	41.14	5.52	40.91	5.62	39.80	5.70
	32	28	46.71	5.51	45.51	5.60	44.55	5.69	43.27	5.80	42.15	5.89
	41	37	48.87	5.79	47.61	5.88	46.64	5.97	45.34	6.08	44.21	6.18
	47	43	51.04	5.56	49.74	5.59	48.85	5.69	47.45	5.78	46.14	5.88
	50	47	46.40	4.82	45.21	4.85	44.41	4.94	43.13	5.02	41.94	5.10
	59	50	41.66	4.14	40.59	4.16	39.87	4.24	38.72	4.32	37.65	4.37
68	59	36.81	3.53	35.87	3.56	35.23	3.61	34.22	3.67	33.27	3.72	
75	65	26.55	2.80	25.87	2.82	25.41	2.86	24.68	2.90	24.00	2.94	

Indoor unit connecting capacity	Outdoor temperature		Indoor temperature									
			60 °FDB		65 °FDB		70 °FDB		75 °FDB		78 °FDB	
			TC	IP	TC	IP	TC	IP	TC	IP	TC	IP
kBtu/h	°FDB	°FWB	kBtu/h	kW	kBtu/h	kW	kBtu/h	kW	kBtu/h	kW	kBtu/h	kW
09 + 12 + 12 + 12	-13	-15	25.67	3.40	25.37	3.45	25.20	3.50	24.50	3.55	23.67	3.60
	-5	-7	31.24	3.94	30.43	3.99	29.69	4.07	29.09	4.12	28.19	4.18
	5	3	37.67	4.47	36.75	4.55	36.00	4.62	35.57	4.69	34.71	4.76
	14	12	42.93	5.13	41.86	5.21	39.24	5.31	39.82	5.39	38.71	5.47
	23	19	44.32	5.37	43.23	5.46	41.38	5.54	41.16	5.64	40.04	5.73
	32	28	47.13	5.55	45.92	5.64	44.95	5.73	43.66	5.84	42.52	5.93
	41	37	49.45	5.85	48.17	5.94	47.19	6.03	45.88	6.14	44.73	6.24
	47	43	51.79	5.63	50.46	5.66	49.57	5.75	48.14	5.85	46.81	5.95
	50	47	47.08	4.88	45.88	4.90	45.06	4.99	43.76	5.08	42.56	5.16
	59	50	42.27	4.19	41.19	4.21	40.46	4.29	39.29	4.36	38.21	4.41
68	59	37.35	3.57	36.39	3.59	35.75	3.65	34.72	3.71	33.76	3.76	
75	65	26.94	2.82	26.25	2.85	25.79	2.89	25.04	2.93	24.35	2.96	

NOTES:

- Specifications are based on the following conditions.
 - Power source of specifications: 230 V
 - Pipe length: 24.6 ft (7.5 m), Height difference: 0 ft (0 m) [Outdoor unit—Indoor unit]
 - Indoor unit fan speed: HIGH
- 2 or more indoor units should be connected.
- The total ability of connected a indoor unit is from 30,000 Btu/h up to 46,000 Btu/h.
- Input in the table are calculated based on the maximum indoor unit input combinations.
- Capacity loss due to white frost and defrost operation is not included.

6-4. Model: WHP42M5A21S

Cooling

- TC: Total Capacity (Gross)
- SHC: Sensible Heat Capacity (Gross)
- IP: Input Power (Including the compressor, evaporator fan motor, and condenser fan motor)

OUTDOOR UNIT
WHP18-42M

OUTDOOR UNIT
WHP18-42M

Indoor unit connecting capacity	Outdoor temperature		Indoor temperature																	
			64 °FDB/54 °FWB			70 °FDB/60 °FWB			75 °FDB/63 °FWB			80 °FDB/67 °FWB			85 °FDB/71 °FWB			90 °FDB/73 °FWB		
			TC	SHC	IP	TC	SHC	IP	TC	SHC	IP	TC	SHC	IP	TC	SHC	IP	TC	SHC	IP
kBtu/h	°FDB	°FWB	kBtu/h	kW	kBtu/h	kW	kBtu/h	kW	kBtu/h	kW	kBtu/h	kW	kBtu/h	kW	kBtu/h	kW	kBtu/h	kW		
07 + 09 + 18	14	12	27.94	22.43	1.73	31.63	22.40	1.77	33.36	24.75	1.77	35.75	25.40	1.79	38.25	26.40	1.81	39.44	29.23	1.83
	23	21	27.43	21.88	1.88	31.04	21.85	1.90	32.75	24.14	1.92	35.10	25.34	1.94	37.55	25.94	1.97	38.72	28.88	1.97
	32	28	27.21	21.69	1.99	30.77	21.66	2.03	32.49	23.98	2.05	34.78	25.12	2.07	37.20	25.73	2.08	38.44	28.61	2.10
	41	37	26.87	21.54	2.22	30.40	21.51	2.26	32.08	23.77	2.28	34.37	24.96	2.29	36.77	25.54	2.31	37.91	28.44	2.33
	50	47	27.10	21.64	2.50	30.68	21.63	2.54	32.37	23.89	2.57	34.68	25.09	2.61	37.10	25.69	2.63	38.26	28.58	2.65
	59	50	28.63	22.36	2.76	32.42	22.33	2.82	34.20	24.68	2.86	36.63	25.91	2.86	39.19	27.11	2.90	40.42	29.51	2.92
	67	53	34.66	25.45	3.37	39.22	25.41	3.42	41.36	28.07	3.45	44.33	29.47	3.49	47.41	30.88	3.54	48.88	33.57	3.56
	77	62	33.61	25.03	3.87	38.03	25.00	3.95	40.10	27.61	3.99	42.97	29.00	4.03	45.96	30.18	4.07	47.39	33.03	4.09
	87	69	32.72	24.61	4.30	37.03	24.58	4.38	39.05	27.16	4.42	41.85	28.53	4.46	44.77	29.18	4.51	46.17	32.48	4.53
	95	75	31.80	23.61	4.48	35.98	23.58	4.57	37.96	26.05	4.61	40.02	27.35	4.65	43.50	27.99	4.71	44.85	31.16	4.72
	104	78	26.97	21.58	4.10	30.54	21.57	4.18	32.21	23.83	4.20	34.51	25.02	4.26	36.93	25.61	4.30	38.08	28.51	4.32
115	80	19.86	18.98	3.54	22.49	18.95	3.60	23.72	20.95	3.64	25.42	22.00	3.68	27.21	22.52	3.72	28.06	25.08	3.74	
07 + 09 + 24	14	12	28.97	23.25	1.79	32.79	23.22	1.83	34.58	25.66	1.83	37.06	26.33	1.85	39.65	27.37	1.87	40.88	30.30	1.89
	23	21	28.44	22.68	1.95	32.18	22.65	1.97	33.95	25.02	1.99	36.38	26.27	2.01	38.92	26.89	2.05	40.14	29.94	2.05
	32	28	28.20	22.48	2.07	31.90	22.45	2.10	33.68	24.85	2.12	36.05	26.04	2.14	38.56	26.67	2.16	39.94	29.65	2.18
	41	37	27.85	22.33	2.30	31.51	22.30	2.34	33.25	24.64	2.36	35.63	25.87	2.38	38.12	26.47	2.40	39.29	29.48	2.42
	50	47	28.09	22.44	2.59	31.80	22.42	2.64	33.55	24.76	2.66	35.95	26.01	2.70	38.46	26.63	2.73	39.66	29.63	2.75
	59	50	29.68	23.18	2.86	33.60	23.14	2.92	35.45	25.58	2.96	37.97	26.86	2.96	40.63	28.10	3.00	41.90	30.58	3.02
	67	53	35.93	26.38	3.49	40.66	26.34	3.54	42.88	29.09	3.58	45.95	30.55	3.61	49.15	32.01	3.67	50.67	34.80	3.69
	77	62	34.84	25.95	4.01	39.42	25.91	4.09	41.57	28.62	4.13	44.54	30.06	4.17	47.64	31.28	4.21	49.12	34.23	4.23
	87	69	33.92	25.52	4.46	38.39	25.48	4.54	40.48	28.16	4.58	43.38	29.57	4.62	46.41	30.25	4.68	47.86	33.67	4.70
	95	75	32.97	24.47	4.65	37.30	24.44	4.74	39.35	27.00	4.78	41.48	28.35	4.82	45.09	29.01	4.88	46.49	32.30	4.90
	104	78	27.96	22.37	4.25	31.66	22.36	4.33	33.39	24.70	4.35	35.77	25.93	4.42	38.28	26.55	4.46	39.47	29.55	4.48
115	80	20.58	19.68	3.67	23.32	19.65	3.73	24.58	21.71	3.77	26.35	22.81	3.81	28.20	23.34	3.85	29.09	25.99	3.87	
07 + 12 + 18	14	12	28.54	22.91	1.77	32.30	22.88	1.81	34.07	25.28	1.81	36.52	25.95	1.83	39.07	26.97	1.85	40.28	29.86	1.87
	23	21	28.02	22.35	1.92	31.70	22.32	1.94	33.45	24.66	1.96	35.85	25.89	1.98	38.35	26.49	2.02	39.55	29.50	2.02
	32	28	27.79	22.15	2.04	31.43	22.12	2.07	33.19	24.49	2.09	35.52	25.66	2.11	37.99	26.28	2.13	39.26	29.22	2.15
	41	37	27.44	22.00	2.26	31.05	21.97	2.30	32.76	24.28	2.32	35.10	25.49	2.34	37.56	26.08	2.36	38.71	29.04	2.38
	50	47	27.68	22.11	2.55	31.33	22.09	2.60	33.06	24.40	2.62	35.42	25.63	2.66	37.89	26.23	2.69	39.08	29.19	2.71
	59	50	29.24	22.83	2.82	33.11	22.80	2.88	34.93	25.20	2.92	37.42	26.46	2.92	40.03	27.69	2.96	41.28	30.14	2.98
	67	53	35.40	25.99	3.44	40.06	25.96	3.49	42.25	28.67	3.53	45.27	30.10	3.56	48.42	31.54	3.61	49.93	34.28	3.63
	77	62	34.32	25.56	3.95	38.84	25.53	4.03	40.95	28.20	4.07	43.89	29.62	4.11	46.94	30.82	4.15	48.40	33.73	4.17
	87	69	33.42	25.14	4.39	37.82	25.11	4.47	39.89	27.74	4.51	42.75	29.13	4.55	45.72	29.81	4.61	47.15	33.18	4.63
	95	75	32.48	24.11	4.58	36.75	24.08	4.67	38.77	26.60	4.71	40.87	27.93	4.75	44.42	28.59	4.81	45.81	31.82	4.82
	104	78	27.55	22.05	4.19	31.19	22.03	4.27	32.90	24.34	4.29	35.25	25.55	4.35	37.72	26.16	4.39	38.89	29.12	4.42
115	80	20.28	19.39	3.62	22.97	19.36	3.68	24.22	21.39	3.72	25.97	22.47	3.76	27.79	23.00	3.79	28.66	25.61	3.81	
07 + 12 + 24	14	12	29.48	23.66	1.83	33.37	23.63	1.87	35.19	26.11	1.87	37.71	26.80	1.89	40.35	27.85	1.91	41.60	30.84	1.93
	23	21	28.94	23.08	1.98	32.74	23.05	2.00	34.55	25.47	2.02	37.02	26.74	2.04	39.61	27.36	2.08	40.84	30.47	2.08
	32	28	28.70	22.88	2.10	32.46	22.85	2.14	34.28	25.29	2.16	36.69	26.50	2.18	39.24	27.14	2.20	40.54	30.18	2.22
	41	37	28.34	22.72	2.34	32.07	22.69	2.38	33.84	25.07	2.40	36.26	26.33	2.42	38.79	26.94	2.44	39.99	30.00	2.46
	50	47	28.58	22.83	2.64	32.36	22.82	2.68	34.15	25.20	2.71	36.58	26.47	2.75	39.14	27.10	2.77	40.36	30.15	2.80
	59	50	30.20	23.58	2.91	34.20	23.55	2.98	36.08	26.03	3.02	38.64	27.33	3.02	41.34	28.60	3.06	42.64	31.12	3.08
	67	53	36.57	26.84	3.55	41.38	26.81	3.61	43.63	29.61	3.64	46.76	31.09	3.68	50.01	32.58	3.73	51.57	35.41	3.75
	77	62	35.45	26.40	4.08	40.12	26.37	4.17	42.30	29.12	4.21	45.33	30.59	4.25	48.49	31.83	4.29	49.99	34.84	4.31
	87	69	34.51	25.97	4.54	39.07	25.93	4.62	41.20	28.66	4.66	44.15	30.09	4.70	47.22	30.78	4.76	48.70	34.27	4.78
	95	75	33.55	24.91	4.73	37.96	24.88	4.83	40.04	27.48	4.87	42.21	28.85	4.90	45.88	29.53	4.96	47.31	32.87	4.98
	104	78	28.45	22.77	4.32	32.22	22.75	4.41	33.98	25.14	4.43	36.40	26.39	4.50	38.96	27.02	4.54	40.17	30.07	4.56
115	80	20.95	20.03	3.73	23.73	19.99	3.80	25.02	22.10	3.84	26.82	23.21	3.88	28.70	23.76	3.92	29.60	26.45	3.94	
07 + 18 + 24	14	12	33.88	27.85	1.90	38.34	27.82	1.94	40.44	30.73	1.94	43.34	32.03	1.94	46.37	32.79	1.99	47.81	36.30	2.01
	23	21	33.26	27.17	2.06	37.63	27.13	2.09	39.71	29.98	2.11	42.55	31.47	2.11	45.52	32.21	2.17	46.94	35.86	2.17
	32	28	32.98	26.93	2.19	37.31	26.90	2.23	39.39	29.77	2.25	42.17	31.19	2.25	45.10	31.95	2.29	46.59	35.52	2.31
	41	37	32.57	26.75	2.49	36.85	26.71	2.54	38.88	29.51	2.56	41.67	30.99	2.56	44.58	31.71	2.60	45.95	35.31	2.63
	50	47	32.85	26.88	2.82	37.19	26.86	2.87	39.24	29.66	2.89	42.04	31.16	2.89	44.98	31.90	2.96	46.39	35.49	2.99
	59	50	34.71	27.76	3.19	39.30	27.72	3.26	41.46	30.64	3.30	44.41	32.17	3.30	47.51	33.66	3.35	49.00	36.64	3.37
	67	53	42.02	31.60	3.70	47.55	31.56	3.75	50.14	34.85	3.79	53.74	36.59	3.79	57.48	38.35	3.88	59.26	41.68	3.90
	77	62	40.74	31.08	4.25	46.10	31.04	4.33	48.61	34.28	4.38	52.09	36.01	4.38	55.72	37.47	4.46	57.45	41.01	4.48
	87	69	39.66	30.56	4.82	44.89	30.53	4.91	47.34	33.73	4.95	50.74	35.42	4.95	54.27	36.24	5.06	55.97	40.34	5.09
	95	75	38.55	29.32	5.19	43.62	29.28	5.30	46.02	32.34	5.35	48.51	33.96	5.35	52.73	34.75	5.45	54.37	38.69	5.48
	104	78	32.70	26.80	4.71	37.02	26.78	4.81	39.05											

OUTDOOR UNIT
WHP18-42M

OUTDOOR UNIT
WHP18-42M

Indoor unit connecting capacity	Outdoor temperature		Indoor temperature																	
			64 °FDB/54 °FWB			70 °FDB/60 °FWB			75 °FDB/63 °FWB			80 °FDB/67 °FWB			85 °FDB/71 °FWB			90 °FDB/73 °FWB		
			TC	SHC	IP	TC	SHC	IP	TC	SHC	IP	TC	SHC	IP	TC	SHC	IP	TC	SHC	IP
kBtu/h	°FDB	°FWB	kBtu/h	kW	kBtu/h	kW	kBtu/h	kW	kBtu/h	kW	kBtu/h	kW	kBtu/h	kW	kBtu/h	kW	kBtu/h	kW		
09 + 09 + 24	14	12	28.97	23.25	1.79	32.79	23.22	1.83	34.58	25.66	1.83	37.06	26.33	1.85	39.65	27.37	1.87	40.88	30.30	1.89
	23	21	28.44	22.68	1.95	32.18	22.65	1.97	33.95	25.02	1.99	36.38	26.27	2.01	38.92	26.89	2.05	40.14	29.94	2.05
	32	28	28.20	22.48	2.07	31.90	22.45	2.10	33.68	24.85	2.12	36.05	26.04	2.14	38.56	26.67	2.16	39.84	29.65	2.18
	41	37	27.85	22.33	2.30	31.51	22.30	2.34	33.25	24.64	2.36	35.63	25.87	2.38	38.12	26.47	2.40	39.29	29.48	2.42
	50	47	28.09	22.42	2.59	31.80	22.42	2.64	33.55	24.76	2.66	35.95	26.01	2.70	38.46	26.63	2.73	39.66	29.63	2.75
	59	50	29.68	23.18	2.86	33.60	23.14	2.92	35.45	25.58	2.96	37.97	26.86	2.96	40.63	28.10	3.00	41.90	30.58	3.02
	67	53	35.93	26.38	3.49	40.66	26.34	3.54	42.88	29.09	3.58	45.95	30.55	3.61	49.15	32.01	3.67	50.67	34.80	3.69
	77	62	34.84	25.95	4.01	39.42	25.91	4.09	41.57	28.62	4.13	44.54	30.06	4.17	47.64	31.28	4.21	49.12	34.23	4.23
	87	69	33.92	25.52	4.46	38.39	25.48	4.54	40.48	28.16	4.58	43.38	29.57	4.62	46.41	30.25	4.68	47.86	33.67	4.70
	95	75	32.97	24.47	4.65	37.30	24.44	4.74	39.35	27.00	4.78	41.48	28.35	4.82	45.09	29.01	4.88	46.49	32.30	4.90
	104	78	27.96	22.37	4.25	31.66	22.36	4.33	33.39	24.70	4.35	35.77	25.93	4.42	38.28	26.55	4.46	39.47	29.55	4.48
115	80	20.58	19.68	3.67	23.32	19.65	3.73	24.58	21.71	3.77	26.35	22.81	3.81	28.20	23.34	3.85	29.09	25.99	3.87	
09 + 12 + 18	14	12	28.11	22.57	1.74	31.82	22.54	1.78	33.56	24.90	1.78	35.97	25.56	1.80	38.48	26.57	1.82	39.68	29.41	1.84
	23	21	27.60	22.02	1.89	31.23	21.99	1.91	32.95	24.29	1.93	35.31	25.50	1.95	37.78	26.10	1.99	38.96	29.06	1.99
	32	28	27.37	21.82	2.01	30.96	21.79	2.04	32.69	24.12	2.06	34.99	25.27	2.08	37.43	25.89	2.10	38.67	28.78	2.12
	41	37	27.03	21.67	2.23	30.59	21.64	2.27	32.27	23.91	2.29	34.58	25.11	2.31	37.00	25.69	2.33	38.14	28.61	2.35
	50	47	27.26	21.78	2.52	30.87	21.76	2.56	32.57	24.03	2.58	34.89	25.24	2.62	37.33	25.84	2.65	38.50	28.76	2.67
	59	50	28.81	22.49	2.78	32.61	22.46	2.84	34.41	24.83	2.88	36.86	26.07	2.88	39.43	27.28	2.92	40.66	29.69	2.94
	67	53	34.88	25.60	3.39	39.46	25.57	3.44	41.62	28.24	3.47	44.60	29.65	3.51	47.70	31.07	3.56	49.18	33.77	3.58
	77	62	33.81	25.18	3.89	38.26	25.15	3.97	40.34	27.78	4.01	43.23	29.17	4.05	46.24	30.36	4.09	47.68	33.23	4.11
	87	69	32.92	24.76	4.33	37.26	24.73	4.40	39.29	27.33	4.44	42.11	28.70	4.48	45.04	29.36	4.54	46.45	32.68	4.56
	95	75	32.00	23.75	4.51	36.20	23.72	4.60	38.19	26.21	4.64	40.26	27.51	4.68	43.76	28.16	4.73	45.12	31.35	4.75
	104	78	27.14	21.72	4.12	30.73	21.70	4.21	32.41	23.97	4.23	34.72	25.17	4.29	37.15	25.77	4.33	38.31	28.68	4.35
115	80	19.98	19.10	3.56	22.63	19.07	3.62	23.86	21.07	3.66	25.58	22.13	3.70	27.37	22.66	3.74	28.23	25.23	3.76	
09 + 12 + 24	14	12	29.48	23.66	1.83	33.37	23.63	1.87	35.19	26.11	1.87	37.71	26.80	1.89	40.35	27.85	1.91	41.60	30.84	1.93
	23	21	28.94	23.08	1.98	32.74	23.05	2.00	34.55	25.47	2.02	37.02	26.74	2.04	39.61	27.36	2.08	40.84	30.47	2.08
	32	28	28.70	22.88	2.10	32.46	22.85	2.14	34.28	25.29	2.16	36.69	26.50	2.18	39.24	27.14	2.20	40.54	30.18	2.22
	41	37	28.34	22.72	2.34	32.07	22.69	2.38	33.84	25.07	2.40	36.26	26.33	2.42	38.79	26.94	2.44	39.99	30.00	2.46
	50	47	28.58	22.83	2.64	32.36	22.82	2.68	34.15	25.20	2.71	36.58	26.47	2.75	39.14	27.10	2.77	40.36	30.15	2.80
	59	50	30.20	23.58	2.91	34.20	23.55	2.98	36.08	26.03	3.02	38.64	27.33	3.02	41.34	28.60	3.06	42.64	31.12	3.08
	67	53	36.57	26.84	3.55	41.38	26.81	3.61	43.63	29.61	3.64	46.76	31.09	3.68	50.01	32.58	3.73	51.57	35.41	3.75
	77	62	35.45	26.40	4.08	40.12	26.37	4.17	42.30	29.12	4.21	45.33	30.59	4.25	48.49	31.83	4.29	49.99	34.84	4.31
	87	69	34.51	25.97	4.54	39.07	25.93	4.62	41.20	28.66	4.66	44.15	30.09	4.70	47.22	30.78	4.76	48.70	34.27	4.78
	95	75	33.55	24.91	4.73	37.96	24.88	4.83	40.04	27.48	4.87	42.21	28.85	4.90	45.88	29.53	4.96	47.31	32.87	4.98
	104	78	28.45	22.77	4.32	32.22	22.75	4.41	33.98	25.14	4.43	36.40	26.39	4.50	38.96	27.02	4.54	40.17	30.07	4.56
115	80	20.95	20.03	3.73	23.73	19.99	3.80	25.02	22.10	3.84	26.82	23.21	3.88	28.70	23.76	3.92	29.60	26.45	3.94	
09 + 18 + 24	14	12	33.88	27.85	1.90	38.34	27.82	1.94	40.44	30.73	1.94	43.34	32.03	1.94	46.37	32.79	1.99	47.81	36.30	2.01
	23	21	33.26	27.17	2.06	37.63	27.13	2.09	39.71	29.98	2.11	42.55	31.47	2.11	45.52	32.21	2.17	46.94	35.86	2.17
	32	28	32.98	26.93	2.19	37.31	26.90	2.23	39.39	29.77	2.25	42.17	31.19	2.25	45.10	31.95	2.29	46.59	35.52	2.31
	41	37	32.57	26.75	2.49	36.85	26.71	2.54	38.88	29.51	2.56	41.67	30.99	2.56	44.58	31.71	2.60	45.95	35.31	2.63
	50	47	32.85	26.88	2.82	37.19	26.86	2.87	39.24	29.66	2.89	42.04	31.16	2.89	44.98	31.90	2.96	46.39	35.49	2.99
	59	50	34.71	27.76	3.19	39.30	27.72	3.26	41.46	30.64	3.30	44.41	32.17	3.30	47.51	33.66	3.35	49.00	36.64	3.37
	67	53	42.02	31.60	3.70	47.55	31.56	3.75	50.14	34.85	3.79	53.74	36.59	3.79	57.48	38.35	3.88	59.26	41.68	3.90
	77	62	40.74	31.08	4.25	46.10	31.04	4.33	48.61	34.28	4.38	52.09	36.01	4.38	55.72	37.47	4.46	57.45	41.01	4.48
	87	69	39.66	30.56	4.82	44.89	30.53	4.91	47.34	33.73	4.95	50.74	35.42	4.95	54.27	36.24	5.06	55.97	40.34	5.09
	95	75	38.55	29.32	5.19	43.62	29.28	5.30	46.02	32.34	5.35	48.51	33.96	5.35	52.73	34.75	5.45	54.37	38.69	5.48
	104	78	32.70	26.80	4.71	37.02	26.78	4.81	39.05	29.59	4.83	41.84	31.06	4.83	44.77	31.80	4.95	46.16	35.40	4.97
115	80	24.07	23.57	3.78	27.27	23.54	3.84	28.75	26.01	3.88	30.82	27.32	3.88	32.98	27.96	3.96	34.02	31.14	3.98	
12 + 12 + 18	14	12	28.97	23.25	1.79	32.79	23.22	1.83	34.58	25.66	1.83	37.06	26.33	1.85	39.65	27.37	1.87	40.88	30.30	1.89
	23	21	28.44	22.68	1.95	32.18	22.65	1.97	33.95	25.02	1.99	36.38	26.27	2.01	38.92	26.89	2.05	40.14	29.94	2.05
	32	28	28.20	22.48	2.07	31.90	22.45	2.10	33.68	24.85	2.12	36.05	26.04	2.14	38.56	26.67	2.16	39.84	29.65	2.18
	41	37	27.85	22.33	2.30	31.51	22.30	2.34	33.25	24.64	2.36	35.63	25.87	2.38	38.12	26.47	2.40	39.29	29.48	2.42
	50	47	28.09	22.42	2.59	31.80	22.42	2.64	33.55	24.76	2.66	35.95	26.01	2.70	38.46	26.63	2.73	39.66	29.63	2.75
	59	50	29.68	23.18	2.86	33.60	23.14	2.92	35.45	25.58	2.96	37.97	26.86	2.96	40.63	28.10	3.00	41.90	30.58	3.02
	67	53	35.93	26.38	3.49	40.66	26.34	3.54	42.88	29.09	3.58	45.95	30.55	3.61	49.15	32.01	3.67	50.67	34.80	3.69
	77	62	34.84	25.95	4.01	39.42	25.91	4.09	41.57	28.62	4.13	44.54	30.06	4.17	47.64	31.28	4.21	49.12	34.23	4.23
	87	69	33.92	25.52	4.46	38.39	25.48	4.54	40.48	28.16	4.58	43.38	29.57	4.62	46.41	30.25	4.68	47.86	33.67	4.70
	95	75	32.97	24.47	4.65	37.30	24.44	4.74	39.35	27.00	4.78	41.48	28.35	4.82	45.09	29.01	4.88	46.49	32.30	4.90
	104	78	27.96	22.37	4.25	31.66	22.36	4.33	33.39	24.70	4.35	35.77	25.93	4.42	38.28	26.55	4.46	39.47	29.55	4.48
115	80	20.58	19.68	3.67	23.32	19.65														

OUTDOOR UNIT
WHP18-42M

OUTDOOR UNIT
WHP18-42M

Indoor unit connecting capacity	Outdoor temperature		Indoor temperature																	
			64 °FDB/54 °FWB			70 °FDB/60 °FWB			75 °FDB/63 °FWB			80 °FDB/67 °FWB			85 °FDB/71 °FWB			90 °FDB/73 °FWB		
			TC	SHC	IP	TC	SHC	IP	TC	SHC	IP	TC	SHC	IP	TC	SHC	IP	TC	SHC	IP
kBtu/h	°FDB	°FWB	kBtu/h	kW	kBtu/h	kW	kBtu/h	kW	kBtu/h	kW	kBtu/h	kW	kBtu/h	kW	kBtu/h	kW	kBtu/h	kW		
07 + 07 + 07 + 18	14	12	30.48	25.06	1.71	34.50	25.03	1.75	36.38	27.65	1.75	38.99	28.81	1.79	41.72	29.50	1.79	43.01	32.66	1.81
	23	21	29.92	24.44	1.86	33.85	24.41	1.88	35.72	26.97	1.89	38.28	28.31	1.89	40.95	28.98	1.95	42.23	32.26	1.95
	32	28	29.67	24.23	1.97	33.56	24.20	2.00	35.44	26.78	2.02	37.93	28.06	2.02	40.57	28.75	2.06	41.92	31.96	2.07
	41	37	29.30	24.06	2.24	33.16	24.03	2.28	34.98	26.55	2.30	37.49	27.88	2.30	40.11	28.53	2.34	41.34	31.77	2.36
	50	47	29.55	24.18	2.53	33.46	24.16	2.58	35.30	26.69	2.60	37.82	28.03	2.60	40.46	28.69	2.67	41.73	31.93	2.69
	59	50	31.23	24.98	2.87	35.35	24.94	2.93	37.30	27.57	2.97	39.95	28.94	2.97	42.75	30.29	3.01	44.08	32.96	3.03
	67	53	37.81	28.43	3.32	42.78	28.39	3.38	45.11	31.35	3.41	48.34	32.92	3.41	51.71	34.50	3.49	53.32	37.50	3.51
	77	62	36.65	27.96	3.82	41.48	27.93	3.90	43.73	30.84	3.94	46.86	32.39	3.94	50.13	33.71	4.01	51.68	36.89	4.03
	87	69	35.68	27.50	4.34	40.39	27.46	4.42	42.59	30.35	4.46	45.65	31.87	4.46	48.82	32.60	4.56	50.35	36.29	4.57
	95	75	34.68	26.38	4.67	39.24	26.34	4.77	41.40	29.10	4.81	43.64	30.55	4.81	47.44	31.27	4.91	48.91	34.81	4.93
	104	78	29.42	24.11	4.24	33.31	24.10	4.32	35.13	26.62	4.35	37.64	27.95	4.35	40.28	28.61	4.45	41.53	31.85	4.47
115	80	21.66	21.21	3.40	24.53	21.17	3.45	25.87	23.40	3.49	27.73	24.58	3.49	29.67	25.16	3.57	30.60	28.01	3.58	
07 + 07 + 07 + 24	14	12	33.17	27.28	1.86	37.55	27.24	1.90	39.60	30.09	1.90	42.44	31.36	1.90	45.41	32.11	1.95	46.82	35.55	1.97
	23	21	32.57	26.61	2.02	36.85	26.57	2.04	38.88	29.35	2.06	41.66	30.82	2.06	44.57	31.54	2.12	45.96	35.12	2.12
	32	28	32.30	26.37	2.14	36.53	26.34	2.18	38.57	29.15	2.20	41.29	30.54	2.20	44.16	31.29	2.24	45.63	34.78	2.26
	41	37	31.89	26.19	2.44	36.09	26.16	2.49	38.08	28.90	2.51	40.80	30.35	2.51	43.65	31.05	2.55	45.00	34.58	2.57
	50	47	32.17	26.32	2.76	36.42	26.30	2.81	38.43	29.05	2.83	41.17	30.51	2.83	44.04	31.23	2.90	45.42	34.76	2.93
	59	50	33.99	27.19	3.12	38.48	27.15	3.19	40.60	30.00	3.23	43.49	31.50	3.23	46.53	32.97	3.28	47.98	35.88	3.30
	67	53	41.15	30.94	3.62	46.56	30.90	3.67	49.10	34.13	3.71	52.62	35.83	3.71	56.28	37.55	3.80	58.03	40.82	3.82
	77	62	39.90	30.44	4.16	45.14	30.40	4.24	47.60	33.57	4.29	51.01	35.26	4.29	54.56	36.69	4.37	56.26	40.16	4.39
	87	69	38.84	29.93	4.72	43.96	29.89	4.81	46.36	33.03	4.85	49.68	34.69	4.85	53.14	35.48	4.96	54.81	39.50	4.98
	95	75	37.75	28.71	5.09	42.72	28.67	5.19	45.06	31.67	5.24	47.50	33.25	5.24	51.63	34.03	5.34	53.24	37.88	5.36
	104	78	32.02	26.25	4.62	36.25	26.23	4.71	38.24	28.97	4.73	40.97	30.42	4.73	43.84	31.14	4.84	45.20	34.67	4.87
115	80	23.57	23.08	3.70	26.70	23.05	3.76	28.16	25.47	3.80	30.18	26.75	3.80	32.30	27.38	3.88	33.31	30.49	3.90	
07 + 07 + 09 + 12	14	12	27.35	22.49	1.54	30.96	22.46	1.57	32.65	24.81	1.57	34.99	25.86	1.57	37.44	26.47	1.60	38.60	29.31	1.62
	23	21	26.85	21.94	1.67	30.38	21.91	1.68	32.06	24.20	1.70	34.35	25.41	1.70	36.75	26.00	1.75	37.90	28.95	1.75
	32	28	26.63	21.74	1.77	30.12	21.71	1.80	31.80	24.04	1.81	34.04	25.18	1.81	36.41	25.80	1.85	37.62	28.68	1.86
	41	37	26.29	21.59	2.01	29.76	21.57	2.05	31.39	23.83	2.07	33.64	25.02	2.07	35.99	25.60	2.10	37.10	28.51	2.12
	50	47	26.52	21.70	2.27	30.03	21.68	2.31	31.68	23.95	2.33	33.94	25.16	2.33	36.31	25.75	2.39	37.45	28.66	2.41
	59	50	28.03	22.41	2.58	31.73	22.38	2.63	33.47	24.74	2.67	35.86	25.98	2.67	38.36	27.18	2.70	39.56	29.58	2.72
	67	53	33.93	25.51	2.98	38.39	25.48	3.03	40.49	28.14	3.06	43.38	29.54	3.06	46.41	30.96	3.14	47.85	33.65	3.15
	77	62	32.89	25.09	3.43	37.22	25.06	3.50	39.25	27.68	3.53	42.06	29.07	3.53	44.99	30.25	3.60	46.38	33.11	3.62
	87	69	32.02	24.68	3.89	36.25	24.65	3.96	38.22	27.23	4.00	40.96	28.60	4.00	43.82	29.26	4.09	45.19	32.57	4.11
	95	75	31.13	23.67	4.19	35.22	23.64	4.28	37.15	26.11	4.32	39.17	27.42	4.32	42.57	28.06	4.40	43.90	31.24	4.42
	104	78	26.40	21.64	3.81	29.89	21.62	3.88	31.53	23.89	3.90	33.78	25.08	3.90	36.15	25.68	3.99	37.27	28.58	4.01
115	80	19.43	19.03	3.05	22.01	19.00	3.10	23.21	21.00	3.13	24.88	22.06	3.13	26.63	22.58	3.20	27.46	25.14	3.22	
07 + 07 + 09 + 18	14	12	32.04	26.34	1.80	36.27	26.31	1.84	38.25	29.07	1.84	40.99	30.29	1.84	43.86	31.01	1.88	45.22	34.33	1.90
	23	21	31.45	25.70	1.95	35.59	25.66	1.97	37.55	28.35	1.99	40.24	29.76	1.99	43.05	30.46	2.05	44.39	33.92	2.05
	32	28	31.19	25.47	2.07	35.28	25.44	2.11	37.26	28.16	2.12	39.88	29.50	2.12	42.65	30.22	2.16	44.07	33.60	2.18
	41	37	30.80	25.30	2.36	34.86	25.26	2.40	36.78	27.91	2.42	39.41	29.31	2.42	42.16	29.99	2.46	43.46	33.39	2.48
	50	47	31.07	25.22	2.66	35.18	25.40	2.71	37.11	28.05	2.73	39.76	29.47	2.73	42.54	30.17	2.80	43.87	33.57	2.83
	59	50	32.83	26.26	3.02	37.17	26.22	3.08	39.21	28.98	3.12	42.00	30.43	3.12	44.94	31.84	3.17	46.34	34.65	3.19
	67	53	39.75	29.88	3.49	44.97	29.85	3.55	47.43	32.96	3.58	50.82	34.61	3.58	54.36	36.27	3.67	56.05	39.42	3.69
	77	62	38.53	29.40	4.02	43.60	29.36	4.10	45.98	32.42	4.14	49.27	34.05	4.14	52.70	35.44	4.22	54.34	38.79	4.24
	87	69	37.51	28.91	4.56	42.46	28.87	4.64	44.78	31.90	4.69	47.99	33.50	4.69	51.33	34.27	4.79	52.93	38.15	4.81
	95	75	36.46	27.73	4.91	41.26	27.69	5.02	43.52	30.59	5.06	45.88	32.12	5.06	49.87	32.87	5.16	51.42	36.59	5.18
	104	78	30.93	25.35	4.46	35.02	25.33	4.55	36.94	27.98	4.57	39.57	29.38	4.57	42.34	30.08	4.68	43.66	33.48	4.70
115	80	22.77	22.30	3.57	25.79	22.26	3.63	27.19	24.60	3.67	29.15	25.84	3.67	31.19	26.45	3.75	32.17	29.45	3.77	
07 + 07 + 09 + 24	14	12	33.41	27.47	1.88	37.81	27.43	1.92	39.88	30.31	1.92	42.74	31.58	1.92	45.73	32.33	1.96	47.15	35.80	1.98
	23	21	32.80	26.80	2.04	37.11	26.76	2.06	39.16	29.56	2.08	41.96	31.04	2.08	44.89	31.76	2.14	46.29	35.37	2.14
	32	28	32.53	26.56	2.16	36.79	26.52	2.20	38.85	29.36	2.21	41.58	30.76	2.21	44.47	31.51	2.25	45.95	35.03	2.27
	41	37	32.12	26.38	2.46	36.34	26.34	2.50	38.35	29.11	2.52	41.09	30.56	2.52	43.96	31.27	2.57	45.32	34.82	2.59
	50	47	32.40	26.50	2.78	36.68	26.49	2.83	38.70	29.25	2.85	41.46	30.73	2.85	44.35	31.45	2.92	45.74	35.00	2.95
	59	50	34.23	27.38	3.15	38.75	27.34	3.21	40.89	30.22	3.26	43.80	31.73	3.26	46.86	33.20	3.30	48.32	36.13	3.32
	67	53	41.44	31.16	3.64	46.89	31.12	3.70	49.45	34.37	3.74	52.99	36.09	3.74	56.68	37.82	3.83	58.44	41.10	3.85
	77	62	40.18	30.65	4.19	45.46	30.61	4.27	47.94	33.81	4.32	51.37	35.51	4.32	54.95	36.95	4.40	56.65	40.44	4.42
	87	69	39.12	30.14	4.76	44.27	30.10	4.84	46.69	33.26	4.89	50.04	34.93	4.89	53.52	35.74	4.99	55.19	39.78	5.01
	95	75	38.02	28.91	5.12	43.02	28.88	5.23	45.38	31.90	5.27	47.84	33.49	5.27	52.00	34.27	5.38	53.62	38.15	5.40
	104	78	32.25	26.43	4.65	36.51	26.41	4.74	38.51	29.18	4.76	41.26	30.63	4.76	44.15	31.36	4.88	45.52	34.91	4.90
115	80	23.74	23.25	3.72	26.89	23.21	3.79	28.35	25.65	3.83	30.39	26.94	3.83	32.53	27.58	3.91	33.54	30.71	3.93	
07 + 07 + 12 + 12	14	12																		

OUTDOOR UNIT
WHP18-42M

OUTDOOR UNIT
WHP18-42M

Indoor unit connecting capacity	Outdoor temperature		Indoor temperature																	
			64 °FDB/54 °FWB			70 °FDB/60 °FWB			75 °FDB/63 °FWB			80 °FDB/67 °FWB			85 °FDB/71 °FWB			90 °FDB/73 °FWB		
			TC	SHC	IP	TC	SHC	IP	TC	SHC	IP	TC	SHC	IP	TC	SHC	IP	TC	SHC	IP
kBtu/h	°FDB	°FWB	kBtu/h	kW	kBtu/h	kW	kBtu/h	kW	kBtu/h	kW	kBtu/h	kW	kBtu/h	kW	kBtu/h	kW	kBtu/h	kW		
07 + 07 + 12 + 24	14	12	33.76	27.76	1.89	38.21	27.72	1.94	40.30	30.63	1.94	43.19	31.92	1.94	46.21	32.67	1.98	47.64	36.17	2.00
	23	21	33.14	27.08	2.06	37.50	27.04	2.08	39.57	29.87	2.10	42.40	31.36	2.10	45.36	32.10	2.16	46.78	35.74	2.16
	32	28	32.87	26.84	2.18	37.18	26.80	2.22	39.26	29.67	2.24	42.02	31.08	2.24	44.94	31.84	2.28	46.43	35.40	2.30
	41	37	32.46	26.65	2.49	36.73	26.62	2.53	38.75	29.41	2.55	41.52	30.88	2.55	44.43	31.60	2.59	45.79	35.19	2.62
	50	47	32.74	26.78	2.81	37.06	26.76	2.86	39.11	29.56	2.88	41.90	31.05	2.88	44.82	31.78	2.95	46.22	35.37	2.98
	59	50	34.59	27.67	3.18	39.16	27.63	3.25	41.32	30.53	3.29	44.26	32.06	3.29	47.35	33.55	3.34	48.83	36.51	3.36
	67	53	41.88	31.49	3.68	47.39	31.45	3.74	49.97	34.73	3.78	53.55	36.47	3.78	57.28	38.22	3.87	59.06	41.54	3.89
	77	62	40.60	30.97	4.23	45.94	30.94	4.32	48.44	34.16	4.36	51.91	35.88	4.36	55.53	37.34	4.45	57.25	40.87	4.47
	87	69	39.53	30.46	4.81	44.74	30.42	4.89	47.18	33.61	4.94	50.56	35.30	4.94	54.08	36.11	5.05	55.77	40.20	5.07
	95	75	38.42	29.22	5.18	43.47	29.18	5.28	45.86	32.23	5.33	48.34	33.84	5.33	52.55	34.63	5.44	54.18	38.55	5.46
	104	78	32.59	26.71	4.70	36.90	26.69	4.79	38.92	29.49	4.81	41.69	30.96	4.81	44.61	31.69	4.93	46.00	35.28	4.95
115	80	23.99	23.49	3.76	27.17	23.45	3.83	28.65	25.92	3.87	30.71	27.22	3.87	32.87	27.87	3.95	33.90	31.03	3.97	
07 + 09 + 09 + 09	14	12	26.57	21.85	1.49	30.07	21.82	1.52	31.72	24.10	1.52	33.99	25.12	1.52	36.37	25.71	1.56	37.50	28.47	1.58
	23	21	26.08	21.31	1.62	29.51	21.28	1.64	31.14	23.51	1.65	33.37	24.68	1.65	35.70	25.26	1.70	36.81	28.13	1.70
	32	28	25.87	21.12	1.72	29.26	21.09	1.75	30.90	23.35	1.76	33.07	24.46	1.76	35.37	25.06	1.79	36.54	27.86	1.81
	41	37	25.54	20.98	1.96	28.91	20.95	1.99	30.50	23.15	2.01	32.68	24.31	2.01	34.96	24.87	2.04	36.04	27.69	2.06
	50	47	25.76	21.08	2.21	29.17	21.06	2.25	30.78	23.26	2.27	32.97	24.44	2.27	35.27	25.02	2.32	36.38	27.84	2.34
	59	50	27.22	21.77	2.50	30.82	21.75	2.56	32.52	24.03	2.59	34.83	25.23	2.59	37.27	26.40	2.63	38.43	28.74	2.64
	67	53	32.96	24.78	2.90	37.29	24.75	2.94	39.33	27.33	2.97	42.15	28.70	2.97	45.08	30.08	3.05	46.48	32.69	3.06
	77	62	31.95	24.38	3.33	36.16	24.35	3.40	38.13	26.89	3.43	40.85	28.24	3.43	43.70	29.39	3.50	45.06	32.16	3.52
	87	69	31.11	23.97	3.78	35.21	23.94	3.85	37.13	26.46	3.89	39.79	27.78	3.89	42.57	28.42	3.97	43.90	31.64	3.99
	95	75	30.24	22.99	4.07	34.21	22.97	4.16	36.09	25.37	4.19	38.05	26.63	4.19	41.36	27.26	4.28	42.64	30.34	4.30
	104	78	25.65	21.02	3.70	29.04	21.01	3.77	30.63	23.21	3.79	32.81	24.36	3.79	35.11	24.94	3.88	36.20	27.77	3.90
115	80	18.88	18.49	2.96	21.39	18.46	3.01	22.55	20.40	3.04	24.17	21.43	3.04	25.87	21.93	3.11	26.68	24.42	3.13	
07 + 09 + 09 + 12	14	12	28.91	23.77	1.62	32.73	23.74	1.66	34.52	26.23	1.66	36.99	27.34	1.66	39.58	27.98	1.70	40.81	30.98	1.71
	23	21	28.39	23.19	1.76	32.12	23.16	1.78	33.89	25.59	1.80	36.31	26.86	1.80	38.85	27.49	1.85	40.06	30.61	1.85
	32	28	28.15	22.98	1.87	31.84	22.96	1.90	33.62	25.41	1.92	35.99	26.62	1.92	38.49	27.27	1.95	39.77	30.32	1.97
	41	37	27.80	22.83	2.13	31.46	22.80	2.17	33.19	25.19	2.18	35.56	26.45	2.18	38.05	27.07	2.22	39.22	30.14	2.24
	50	47	28.04	22.94	2.40	31.74	22.92	2.45	33.49	25.32	2.47	35.88	26.59	2.47	38.39	27.22	2.53	39.59	30.29	2.55
	59	50	29.63	23.70	2.72	33.54	23.66	2.78	35.39	26.15	2.82	37.91	27.46	2.82	40.55	28.73	2.86	41.82	31.27	2.88
	67	53	35.87	26.97	3.15	40.59	26.94	3.20	42.80	29.75	3.23	45.86	31.23	3.23	49.06	32.73	3.32	50.58	35.58	3.33
	77	62	34.77	26.53	3.63	39.35	26.50	3.70	41.49	29.26	3.74	44.46	30.73	3.74	47.56	31.98	3.81	49.03	35.00	3.83
	87	69	33.85	26.09	4.12	38.32	26.05	4.19	40.41	28.79	4.23	43.31	30.23	4.23	46.32	30.93	4.32	47.77	34.43	4.34
	95	75	32.91	25.02	4.43	37.23	24.99	4.53	39.28	27.61	4.56	41.40	28.98	4.56	45.00	29.66	4.66	46.40	33.02	4.67
	104	78	27.91	22.88	4.02	31.60	22.86	4.10	33.33	25.25	4.12	35.71	26.51	4.12	38.21	27.14	4.22	39.40	30.22	4.24
115	80	20.55	20.12	3.22	23.27	20.09	3.28	24.54	22.20	3.31	26.31	23.32	3.31	28.15	23.87	3.38	29.03	26.58	3.40	
07 + 09 + 09 + 18	14	12	32.94	27.08	1.85	37.28	27.05	1.89	39.32	29.88	1.89	42.14	31.14	1.89	45.09	31.88	1.93	46.49	35.29	1.95
	23	21	32.34	26.42	2.01	36.59	26.38	2.03	38.61	29.15	2.05	41.37	30.60	2.05	44.26	31.32	2.11	45.64	34.87	2.11
	32	28	32.07	26.18	2.13	36.27	26.15	2.16	38.30	28.95	2.18	41.00	30.33	2.18	43.85	31.07	2.22	45.30	34.54	2.24
	41	37	31.67	26.01	2.42	35.83	25.97	2.47	37.81	28.70	2.49	40.51	30.13	2.49	43.35	30.83	2.53	44.68	34.33	2.55
	50	47	31.94	26.13	2.74	36.16	26.11	2.79	38.16	28.84	2.81	40.88	30.29	2.81	43.73	31.01	2.88	45.10	34.51	2.91
	59	50	33.75	26.99	3.10	38.21	26.96	3.17	40.31	29.79	3.21	43.18	31.28	3.21	46.20	32.73	3.26	47.64	35.62	3.28
	67	53	40.86	30.72	3.59	46.23	30.68	3.65	48.76	33.89	3.69	52.25	35.58	3.69	55.89	37.29	3.78	57.62	40.53	3.80
	77	62	39.61	30.22	4.13	44.83	30.18	4.21	47.27	33.33	4.26	50.65	35.01	4.26	54.18	36.43	4.34	55.86	39.87	4.36
	87	69	38.57	29.72	4.69	43.65	29.68	4.77	46.03	32.80	4.82	49.33	34.44	4.82	52.77	35.23	4.92	54.42	39.22	4.94
	95	75	37.49	28.51	5.05	42.41	28.47	5.16	44.74	31.45	5.20	47.17	33.02	5.20	51.27	33.79	5.30	52.86	37.62	5.32
	104	78	31.79	26.06	4.58	36.00	26.04	4.67	37.97	28.77	4.70	40.68	30.20	4.70	43.53	30.92	4.81	44.88	34.42	4.83
115	80	23.40	22.92	3.67	26.51	22.88	3.73	27.96	25.29	3.77	29.97	26.56	3.77	32.07	27.19	3.85	33.07	30.28	3.87	
07 + 09 + 09 + 24	14	12	33.64	27.66	1.89	38.08	27.62	1.93	40.16	30.52	1.93	43.04	31.81	1.93	46.05	32.56	1.97	47.48	36.05	1.99
	23	21	33.03	26.98	2.05	37.37	26.95	2.07	39.43	29.77	2.09	42.25	31.25	2.09	45.20	31.99	2.15	46.61	35.61	2.15
	32	28	32.75	26.74	2.17	37.05	26.71	2.21	39.12	29.56	2.23	41.87	30.98	2.23	44.78	31.73	2.27	46.27	35.28	2.29
	41	37	32.34	26.56	2.48	36.60	26.53	2.52	38.62	29.31	2.54	41.38	30.78	2.54	44.27	31.49	2.59	45.63	35.06	2.61
	50	47	32.62	26.69	2.80	36.94	26.67	2.85	38.97	29.46	2.87	41.75	30.94	2.87	44.66	31.67	2.94	46.06	35.25	2.97
	59	50	34.47	27.57	3.17	39.03	27.53	3.24	41.17	30.43	3.28	44.10	31.95	3.28	47.18	33.43	3.32	48.66	36.38	3.35
	67	53	41.73	31.38	3.67	47.22	31.34	3.73	49.80	34.61	3.76	53.36	36.34	3.76	57.08	38.08	3.86	58.85	41.39	3.88
	77	62	40.46	30.87	4.22	45.78	30.83	4.30	48.27	34.05	4.35	51.73	35.76	4.35	55.33	37.21	4.43	57.05	40.72	4.45
	87	69	39.39	30.35	4.79	44.58	30.31	4.88	47.01	33.50	4.92	50.39	35.18	4.92	53.90	35.99	5.03	55.58	40.06	5.05
	95	75	38.29	29.11	5.16	43.32	29.08	5.27	45.70	32.12	5.31	48.18	33.72	5.31	52.36	34.51	5.42	53.99	38.42	5.44
	104	78	32.47	26.62	4.68	36.77	26.60	4.77	38.78	29.38	4.80	41.55	30.85	4.80	44.46	31.58	4.91	45.84	35.16	4.94
115	80	23.90	23.41	3.75	27.08	23.37	3.81	28.55	25.83	3.85	30.61	27.13	3.85	32.75	27.77	3.94	33.78	30.92	3.96	
07 + 09 + 12 + 12	14	12																		

OUTDOOR UNIT
WHP18-42M

OUTDOOR UNIT
WHP18-42M

Indoor unit connecting capacity	Outdoor temperature		Indoor temperature																	
			64 °FDB/54 °FWB			70 °FDB/60 °FWB			75 °FDB/63 °FWB			80 °FDB/67 °FWB			85 °FDB/71 °FWB			90 °FDB/73 °FWB		
			TC	SHC	IP	TC	SHC	IP	TC	SHC	IP	TC	SHC	IP	TC	SHC	IP	TC	SHC	IP
kBtu/h	°FDB	°FWB	kBtu/h	kW	kBtu/h	kW	kBtu/h	kW	kBtu/h	kW	kBtu/h	kW	kBtu/h	kW	kBtu/h	kW	kBtu/h	kW		
07 + 09 + 12 + 24	14	12	33.99	27.95	1.91	38.48	27.91	1.95	40.58	30.84	1.95	43.49	32.14	1.95	46.53	32.90	1.99	47.98	36.42	2.02
	23	21	33.37	27.27	2.07	37.76	27.23	2.09	39.84	30.08	2.11	42.69	31.58	2.11	45.68	32.32	2.17	47.10	35.99	2.17
	32	28	33.10	27.02	2.19	37.44	26.99	2.23	39.53	29.87	2.25	42.31	31.30	2.25	45.25	32.06	2.29	46.76	35.64	2.31
	41	37	32.68	26.84	2.50	36.98	26.80	2.55	39.02	29.62	2.57	41.81	31.10	2.57	44.73	31.82	2.61	46.11	35.43	2.63
	50	47	32.96	26.97	2.83	37.32	26.95	2.88	39.38	29.77	2.90	42.19	31.26	2.90	45.13	32.01	2.97	46.55	35.62	3.00
	59	50	34.83	27.86	3.20	39.43	27.82	3.27	41.60	30.75	3.31	44.56	32.28	3.31	47.68	33.78	3.36	49.17	36.76	3.38
	67	53	42.17	31.71	3.71	47.72	31.67	3.77	50.32	34.97	3.80	53.92	36.72	3.80	57.68	38.48	3.90	59.47	41.83	3.92
	77	62	40.88	31.19	4.26	46.26	31.15	4.35	48.78	34.40	4.39	52.27	36.13	4.39	55.91	37.60	4.48	57.65	41.15	4.50
	87	69	39.80	30.67	4.84	45.05	30.63	4.93	47.51	33.85	4.97	50.91	35.54	4.97	54.46	36.36	5.08	56.16	40.48	5.10
	95	75	38.69	29.42	5.21	43.77	29.38	5.32	46.18	32.46	5.37	48.68	34.07	5.37	52.91	34.88	5.47	54.56	38.82	5.50
	104	78	32.81	26.89	4.73	37.15	26.88	4.82	39.19	29.69	4.85	41.98	31.17	4.85	44.92	31.91	4.96	46.32	35.52	4.99
115	80	24.15	23.65	3.79	27.36	23.62	3.85	28.85	26.10	3.89	30.93	27.41	3.89	33.10	28.06	3.98	34.13	31.25	4.00	
07 + 12 + 12 + 12	14	12	32.94	27.08	1.85	37.28	27.05	1.89	39.32	29.88	1.89	42.14	31.14	1.89	45.09	31.88	1.93	46.49	35.29	1.95
	23	21	32.34	26.42	2.01	36.59	26.38	2.03	38.61	29.15	2.05	41.37	30.60	2.05	44.26	31.32	2.11	45.64	34.87	2.11
	32	28	32.07	26.18	2.13	36.27	26.15	2.16	38.30	28.95	2.18	41.00	30.33	2.18	43.85	31.07	2.22	45.30	34.54	2.24
	41	37	31.67	26.01	2.42	35.83	25.97	2.47	37.81	28.70	2.49	40.51	30.13	2.49	43.35	30.83	2.53	44.68	34.33	2.55
	50	47	31.94	26.13	2.74	36.16	26.11	2.79	38.16	28.84	2.81	40.88	30.29	2.81	43.73	31.01	2.88	45.10	34.51	2.91
	59	50	33.75	26.99	3.10	38.21	26.96	3.17	40.31	29.79	3.21	43.18	31.28	3.21	46.20	32.73	3.26	47.64	35.62	3.28
	67	53	40.86	30.72	3.59	46.23	30.68	3.65	48.76	33.89	3.69	52.25	35.58	3.69	55.89	37.29	3.78	57.62	40.53	3.80
	77	62	39.61	30.22	4.13	44.83	30.18	4.21	47.27	33.33	4.26	50.65	35.01	4.26	54.18	36.43	4.34	55.86	39.87	4.36
	87	69	38.57	29.72	4.69	43.65	29.68	4.77	46.03	32.80	4.82	49.33	34.44	4.82	52.77	35.23	4.92	54.42	39.22	4.94
	95	75	37.49	28.51	5.05	42.41	28.47	5.16	44.74	31.45	5.20	47.17	33.02	5.20	51.27	33.79	5.30	52.86	37.62	5.32
	104	78	31.79	26.06	4.58	36.00	26.04	4.67	37.97	28.77	4.70	40.68	30.20	4.70	43.53	30.92	4.81	44.88	34.42	4.83
115	80	23.40	22.92	3.67	26.51	22.88	3.73	27.96	25.29	3.77	29.97	26.56	3.77	32.07	27.19	3.85	33.07	30.28	3.87	
07 + 12 + 12 + 18	14	12	33.64	27.66	1.89	38.08	27.62	1.93	40.16	30.52	1.93	43.04	31.81	1.93	46.05	32.56	1.97	47.48	36.05	1.99
	23	21	33.03	26.98	2.05	37.37	26.95	2.07	39.43	29.77	2.09	42.25	31.25	2.09	45.20	31.99	2.15	46.61	35.61	2.15
	32	28	32.75	26.74	2.17	37.05	26.71	2.21	39.12	29.56	2.23	41.87	30.98	2.23	44.78	31.73	2.27	46.27	35.28	2.29
	41	37	32.34	26.56	2.48	36.60	26.53	2.52	38.62	29.31	2.54	41.38	30.78	2.54	44.27	31.49	2.59	45.63	35.06	2.61
	50	47	32.62	26.69	2.80	36.94	26.67	2.85	38.97	29.46	2.87	41.75	30.94	2.87	44.66	31.67	2.94	46.06	35.25	2.97
	59	50	34.47	27.57	3.17	39.03	27.53	3.24	41.17	30.43	3.28	44.10	31.95	3.28	47.18	33.43	3.32	48.66	36.38	3.35
	67	53	41.73	31.38	3.67	47.22	31.34	3.73	49.80	34.61	3.76	53.36	36.34	3.76	57.08	38.08	3.86	58.85	41.39	3.88
	77	62	40.46	30.87	4.22	45.78	30.83	4.30	48.27	34.05	4.35	51.73	35.76	4.35	55.33	37.21	4.43	57.05	40.72	4.45
	87	69	39.39	30.35	4.79	44.58	30.31	4.88	47.01	33.50	4.92	50.39	35.18	4.92	53.90	35.99	5.03	55.58	40.06	5.05
	95	75	38.29	29.11	5.16	43.32	29.08	5.27	45.70	32.12	5.31	48.18	33.72	5.31	52.36	34.51	5.42	53.99	38.42	5.44
	104	78	32.47	26.62	4.68	36.77	26.60	4.77	38.78	29.38	4.80	41.55	30.85	4.80	44.46	31.58	4.91	45.84	35.16	4.94
115	80	23.90	23.41	3.75	27.08	23.37	3.81	28.55	25.83	3.85	30.61	27.13	3.85	32.75	27.77	3.94	33.78	30.92	3.96	
09 + 09 + 09 + 09	14	12	28.13	23.13	1.58	31.84	23.10	1.61	33.58	25.52	1.61	35.99	26.60	1.61	38.51	27.23	1.65	39.70	30.14	1.67
	23	21	27.62	22.56	1.71	31.25	22.53	1.73	32.97	24.89	1.75	35.33	26.13	1.75	37.80	26.75	1.80	38.98	29.78	1.80
	32	28	27.39	22.36	1.82	30.98	22.34	1.85	32.71	24.72	1.87	35.02	25.90	1.87	37.45	26.53	1.90	38.69	29.50	1.91
	41	37	27.05	22.21	2.07	30.61	22.18	2.11	32.29	24.51	2.13	34.60	25.74	2.13	37.02	26.33	2.16	38.16	29.32	2.18
	50	47	27.28	22.32	2.34	30.89	22.30	2.38	32.59	24.63	2.40	34.91	25.87	2.40	37.35	26.49	2.46	38.52	29.48	2.48
	59	50	28.83	23.05	2.65	32.63	23.02	2.71	34.43	25.45	2.74	36.88	26.72	2.74	39.46	27.96	2.78	40.69	30.43	2.80
	67	53	34.90	26.24	3.07	39.49	26.21	3.12	41.64	28.94	3.15	44.62	30.39	3.15	47.73	31.85	3.23	49.21	34.61	3.24
	77	62	33.83	25.81	3.53	38.29	25.78	3.60	40.37	28.47	3.63	43.26	29.90	3.63	46.27	31.12	3.71	47.71	34.06	3.72
	87	69	32.94	25.38	4.01	37.28	25.35	4.08	39.32	28.01	4.11	42.13	29.42	4.11	45.07	30.09	4.20	46.48	33.50	4.22
	95	75	32.02	24.35	4.31	36.23	24.32	4.40	38.22	26.86	4.44	40.29	28.20	4.44	43.79	28.86	4.53	45.15	32.13	4.55
	104	78	27.16	22.26	3.91	30.75	22.24	3.99	32.43	24.57	4.01	34.74	25.80	4.01	37.18	26.41	4.11	38.33	29.40	4.13
115	80	19.99	19.58	3.14	22.64	19.55	3.19	23.88	21.60	3.22	25.59	22.69	3.22	27.39	23.22	3.29	28.25	25.86	3.31	
09 + 09 + 09 + 12	14	12	30.48	25.06	1.71	34.50	25.03	1.75	36.38	27.65	1.75	38.99	28.81	1.75	41.72	29.50	1.79	43.01	32.66	1.81
	23	21	29.92	24.44	1.86	33.85	24.41	1.88	35.72	26.97	1.89	38.28	28.31	1.89	40.95	28.98	1.95	42.23	32.26	1.95
	32	28	29.67	24.23	1.97	33.56	24.20	2.00	35.44	26.78	2.02	37.93	28.06	2.02	40.57	28.75	2.06	41.92	31.96	2.07
	41	37	29.30	24.06	2.24	33.16	24.03	2.28	34.98	26.55	2.30	37.49	27.88	2.30	40.11	28.53	2.34	41.34	31.77	2.36
	50	47	29.55	24.18	2.53	33.46	24.16	2.58	35.30	26.69	2.60	37.82	28.03	2.60	40.46	28.69	2.67	41.73	31.93	2.69
	59	50	31.23	24.98	2.87	35.35	24.94	2.93	37.30	27.57	2.97	39.95	28.94	2.97	42.75	30.29	3.01	44.08	32.96	3.03
	67	53	37.81	28.43	3.32	42.78	28.39	3.38	45.11	31.35	3.41	48.34	32.92	3.41	51.71	34.50	3.49	53.32	37.50	3.51
	77	62	36.65	27.96	3.82	41.48	27.93	3.90	43.73	30.84	3.94	46.86	32.39	3.94	50.13	33.71	4.01	51.68	36.89	4.03
	87	69	35.68	27.50	4.34	40.39	27.46	4.42	42.59	30.35	4.46	45.65	31.87	4.46	48.82	32.60	4.56	50.35	36.29	4.57
	95	75	34.68	26.38	4.67	39.24	26.34	4.77	41.40	29.10	4.81	43.64	30.55	4.81	47.44	31.27	4.91	48.91	34.81	4.93
	104	78	29.42	24.11	4.24	33.31	24.10	4.32	35.13	26.62	4.35	37.64	27.95	4.35	40.28	28.61	4.45	41.53	31.85	4.47
115	80	21.66	21.21	3.40	24.53	21.17	3.45	25.87	23.40	3.49	27.73	24.58	3.49	29.67	25.16	3.57	30.60	28.01	3.58	
09 + 09 + 09 + 18	14	12																		

OUTDOOR UNIT
WHP18-42M

OUTDOOR UNIT
WHP18-42M

Indoor unit connecting capacity	Outdoor temperature		Indoor temperature																	
			64 °FDB/54 °FWB			70 °FDB/60 °FWB			75 °FDB/63 °FWB			80 °FDB/67 °FWB			85 °FDB/71 °FWB			90 °FDB/73 °FWB		
			TC	SHC	IP	TC	SHC	IP	TC	SHC	IP	TC	SHC	IP	TC	SHC	IP	TC	SHC	IP
kBtu/h	°FDB	°FWB	kBtu/h	kW	kBtu/h	kW	kBtu/h	kW	kBtu/h	kW	kBtu/h	kW	kBtu/h	kW	kBtu/h	kW	kBtu/h	kW		
09 + 09 + 12 + 12	14	12	32.82	26.99	1.84	37.15	26.95	1.88	39.18	29.78	1.88	41.99	31.03	1.88	44.92	31.77	1.93	46.32	35.17	1.95
	23	21	32.22	26.33	2.02	36.46	26.29	2.02	38.47	29.04	2.04	41.22	30.49	2.04	44.10	31.21	2.10	45.48	34.75	2.10
	32	28	31.95	26.09	2.12	36.15	26.06	2.16	38.17	28.84	2.18	40.85	30.22	2.18	43.69	30.96	2.21	45.14	34.42	2.23
	41	37	31.55	25.91	2.42	35.71	25.88	2.46	37.67	28.60	2.48	40.37	30.03	2.48	43.19	30.72	2.52	44.52	34.21	2.54
	50	47	31.83	26.04	2.73	36.03	26.02	2.78	38.02	28.74	2.80	40.73	30.19	2.80	43.57	30.90	2.87	44.94	34.39	2.89
	59	50	33.63	26.90	3.09	38.07	26.86	3.16	40.17	29.69	3.20	43.03	31.17	3.20	46.03	32.62	3.24	47.47	35.50	3.27
	67	53	40.72	30.61	3.58	46.07	30.58	3.64	48.58	33.77	3.67	52.06	35.45	3.67	55.69	37.15	3.76	57.42	40.38	3.78
	77	62	39.47	30.11	4.12	44.67	30.08	4.20	47.10	33.21	4.24	50.47	34.89	4.24	53.98	36.30	4.32	55.66	39.73	4.34
	87	69	38.43	29.61	4.67	43.50	29.58	4.76	45.87	32.68	4.80	49.16	34.32	4.80	52.58	35.11	4.91	54.23	39.08	4.93
	95	75	37.35	28.40	5.03	42.26	28.37	5.14	44.59	31.34	5.18	47.00	32.90	5.18	51.09	33.67	5.28	52.68	37.48	5.31
	104	78	31.68	25.97	4.57	35.87	25.95	4.66	37.84	28.67	4.68	40.53	30.10	4.68	43.37	30.81	4.79	44.72	34.30	4.82
115	80	23.32	22.84	3.66	26.42	22.80	3.72	27.86	25.20	3.72	29.86	26.47	3.76	31.95	27.09	3.84	32.96	30.17	3.86	
09 + 09 + 12 + 18	14	12	33.52	27.56	1.88	37.95	27.53	1.92	40.02	30.41	1.92	42.89	31.69	1.92	45.89	32.45	1.97	47.31	35.92	1.99
	23	21	32.91	26.89	2.04	37.24	26.85	2.06	39.29	29.66	2.08	42.10	31.14	2.08	45.05	31.87	2.14	46.45	35.49	2.14
	32	28	32.64	26.65	2.16	36.92	26.62	2.20	38.98	29.46	2.22	41.73	30.87	2.22	44.63	31.62	2.26	46.11	35.15	2.28
	41	37	32.23	26.47	2.47	36.47	26.43	2.51	38.48	29.21	2.53	41.23	30.67	2.53	44.12	31.38	2.58	45.48	34.94	2.60
	50	47	32.51	26.60	2.79	36.81	26.58	2.84	38.83	29.35	2.86	41.61	30.83	2.86	44.51	31.56	2.93	45.90	35.13	2.96
	59	50	34.35	27.47	3.16	38.89	27.44	3.22	41.03	30.32	3.27	43.95	31.84	3.27	47.02	33.32	3.31	48.49	36.26	3.34
	67	53	41.59	31.27	3.66	47.06	31.23	3.71	49.62	34.49	3.75	53.18	36.21	3.75	56.88	37.95	3.84	58.65	41.25	3.86
	77	62	40.32	30.76	4.20	45.62	30.72	4.29	48.11	33.93	4.33	51.55	35.63	4.33	55.14	37.08	4.42	56.85	40.58	4.44
	87	69	39.25	30.25	4.77	44.43	30.21	4.86	46.85	33.38	4.90	50.21	35.05	4.90	53.71	35.86	5.01	55.39	39.92	5.03
	95	75	38.15	29.01	5.14	43.17	28.98	5.25	45.54	32.01	5.29	48.01	33.60	5.29	52.18	34.39	5.40	53.80	38.29	5.42
	104	78	32.36	26.52	4.66	36.64	26.51	4.76	38.65	29.28	4.78	41.40	30.74	4.78	44.30	31.47	4.90	45.68	35.03	4.92
115	80	23.82	23.33	3.74	26.98	23.29	3.80	28.45	25.74	3.84	30.50	27.04	3.84	32.64	27.67	3.92	33.66	30.82	3.94	
09 + 09 + 12 + 24	14	12	34.23	28.14	1.92	38.74	28.11	1.96	40.86	31.05	1.96	43.79	32.36	1.96	46.85	33.13	2.01	48.31	36.68	2.03
	23	21	33.60	27.45	2.09	38.02	27.42	2.11	40.12	30.29	2.13	42.99	31.80	2.13	45.99	32.54	2.19	47.43	36.23	2.19
	32	28	33.32	27.21	2.21	37.69	27.17	2.25	39.80	30.08	2.27	42.60	31.52	2.27	45.56	32.28	2.31	47.08	35.89	2.33
	41	37	32.91	27.02	2.52	37.24	26.99	2.56	39.29	29.82	2.59	42.10	31.31	2.59	45.04	32.04	2.63	46.43	35.68	2.65
	50	47	33.19	27.16	2.85	37.58	27.14	2.90	39.65	29.97	2.92	42.48	31.48	2.92	45.44	32.23	2.99	46.87	35.86	3.02
	59	50	35.07	28.05	3.22	39.71	28.01	3.29	41.89	30.96	3.34	44.87	32.51	3.34	48.01	34.01	3.38	49.51	37.02	3.41
	67	53	42.46	31.92	3.73	48.04	31.89	3.79	50.67	35.21	3.83	54.29	36.97	3.83	58.07	38.75	3.93	59.88	42.11	3.94
	77	62	41.16	31.40	4.29	46.58	31.36	4.38	49.12	34.64	4.42	52.63	36.38	4.42	56.30	37.86	4.51	58.05	41.43	4.53
	87	69	40.08	30.88	4.87	45.36	30.84	4.96	47.83	34.08	5.01	51.26	35.79	5.01	54.83	36.61	5.12	56.55	40.75	5.14
	95	75	38.95	29.62	5.25	44.08	29.59	5.36	46.50	32.68	5.40	49.01	34.31	5.40	53.28	35.12	5.51	54.93	39.09	5.53
	104	78	33.04	27.08	4.76	37.41	27.06	4.86	39.46	29.90	4.88	42.27	31.39	4.88	45.23	32.13	5.00	46.64	35.77	5.02
115	80	24.32	23.82	3.82	27.55	23.78	3.88	29.05	26.28	3.92	31.14	27.60	3.92	33.32	28.26	4.01	34.37	31.46	4.03	
09 + 12 + 12 + 12	14	12	33.17	27.28	1.86	37.55	27.24	1.90	39.60	30.09	1.90	42.44	31.36	1.90	45.41	32.11	1.95	46.82	35.55	1.97
	23	21	32.57	26.61	2.02	36.85	26.57	2.04	38.88	29.35	2.06	41.66	30.82	2.06	44.57	31.54	2.12	45.96	35.12	2.12
	32	28	32.30	26.37	2.14	36.53	26.34	2.18	38.57	29.15	2.20	41.29	30.54	2.20	44.16	31.29	2.24	45.63	34.78	2.26
	41	37	31.89	26.19	2.44	36.09	26.16	2.49	38.08	28.90	2.51	40.80	30.35	2.51	43.65	31.05	2.55	45.00	34.58	2.57
	50	47	32.17	26.32	2.76	36.42	26.30	2.81	38.43	29.05	2.83	41.17	30.51	2.83	44.04	31.23	2.90	45.42	34.76	2.93
	59	50	33.99	27.19	3.12	38.48	27.15	3.19	40.60	30.00	3.23	43.49	31.50	3.23	46.53	32.97	3.28	47.98	35.88	3.30
	67	53	41.15	30.94	3.62	46.56	30.90	3.67	49.10	34.13	3.71	52.62	35.83	3.71	56.28	37.55	3.80	58.03	40.82	3.82
	77	62	39.90	30.44	4.16	45.14	30.40	4.24	47.60	33.57	4.29	51.01	35.26	4.29	54.56	36.69	4.37	56.26	40.16	4.39
	87	69	38.84	29.93	4.72	43.96	29.89	4.81	46.36	33.03	4.85	49.68	34.69	4.85	53.14	35.48	4.96	54.81	39.50	4.98
	95	75	37.75	28.71	5.09	42.72	28.67	5.19	45.06	31.67	5.24	47.50	33.25	5.24	51.63	34.03	5.34	53.24	37.88	5.36
	104	78	32.02	26.25	4.62	36.25	26.23	4.71	38.24	28.97	4.73	40.97	30.42	4.73	43.84	31.14	4.84	45.20	34.67	4.87
115	80	23.57	23.08	3.70	26.70	23.05	3.76	28.16	25.47	3.80	30.18	26.75	3.80	32.30	27.38	3.88	33.31	30.49	3.90	
09 + 12 + 12 + 18	14	12	33.88	27.85	1.90	38.34	27.82	1.94	40.44	30.73	1.94	43.34	32.03	1.94	46.37	32.79	1.99	47.81	36.30	2.01
	23	21	33.26	27.17	2.06	37.63	27.13	2.09	39.71	29.98	2.11	42.55	31.47	2.11	45.52	32.21	2.17	46.94	35.86	2.17
	32	28	32.98	26.93	2.19	37.31	26.90	2.23	39.39	29.77	2.25	42.17	31.19	2.25	45.10	31.95	2.29	46.59	35.52	2.31
	41	37	32.57	26.75	2.49	36.85	26.71	2.54	38.88	29.51	2.56	41.67	30.99	2.56	44.58	31.71	2.60	45.95	35.31	2.63
	50	47	32.85	26.88	2.82	37.19	26.86	2.87	39.24	29.66	2.89	42.04	31.16	2.89	44.98	31.90	2.96	46.39	35.49	2.99
	59	50	34.71	27.76	3.19	39.30	27.72	3.26	41.46	30.64	3.30	44.41	32.17	3.30	47.51	33.66	3.35	49.00	36.64	3.37
	67	53	42.02	31.60	3.70	47.55	31.56	3.75	50.14	34.85	3.79	53.74	36.59	3.79	57.48	38.35	3.88	59.26	41.68	3.90
	77	62	40.74	31.08	4.25	46.10	31.04	4.33	48.61	34.28	4.38	52.09	36.01	4.38	55.72	37.47	4.46	57.45	41.01	4.48
	87	69	39.66	30.56	4.82	44.89	30.53	4.91	47.34	33.73	4.95	50.74	35.42	4.95	54.27	36.24	5.06	55.97	40.34	5.09
	95	75	38.55	29.32	5.19	43.62	29.28	5.30	46.02	32.34	5.35	48.51	33.96	5.35	52.73	34.75	5.45	54.37	38.69	5.48
	104	78	32.70	26.80	4.71	37.02	26.78	4.81	39.05	29.59	4.83	41.84	31.06	4.83	44.77	31.80	4.95	46.16	35.40	4.97
115	80	24.07	23.57</																	

OUTDOOR UNIT
WHP18-42M

OUTDOOR UNIT
WHP18-42M

Indoor unit connecting capacity	Outdoor temperature		Indoor temperature																	
			64 °FDB/54 °FWB			70 °FDB/60 °FWB			75 °FDB/63 °FWB			80 °FDB/67 °FWB			85 °FDB/71 °FWB			90 °FDB/73 °FWB		
			TC	SHC	IP	TC	SHC	IP	TC	SHC	IP	TC	SHC	IP	TC	SHC	IP	TC	SHC	IP
kBtu/h	°FDB	°FWB	kBtu/h	kW	kBtu/h	kW	kBtu/h	kW	kBtu/h	kW	kBtu/h	kW	kBtu/h	kW	kBtu/h	kW	kBtu/h	kW		
07 + 07 + 07 + 07 + 07	14	12	27.35	22.49	1.54	30.96	22.46	1.57	32.65	24.81	1.57	34.99	25.86	1.57	37.44	26.47	1.60	38.60	29.31	1.62
	23	21	26.85	21.94	1.67	30.38	21.91	1.68	32.06	24.20	1.70	34.35	25.41	1.70	36.75	26.00	1.75	37.90	28.95	1.75
	32	28	26.63	21.74	1.77	30.12	21.71	1.80	31.80	24.04	1.81	34.04	25.18	1.81	36.41	25.80	1.85	37.62	28.68	1.86
	41	37	26.29	21.59	2.01	29.76	21.57	2.05	31.39	23.83	2.07	33.64	25.02	2.07	35.99	25.60	2.10	37.10	28.51	2.12
	50	47	26.52	21.70	2.27	30.03	21.68	2.31	31.68	23.95	2.33	33.94	25.16	2.33	36.31	25.75	2.39	37.45	28.66	2.41
	59	50	28.03	22.41	2.58	31.73	22.38	2.63	33.47	24.74	2.67	35.86	25.98	2.67	38.36	27.18	2.70	39.56	29.58	2.72
	67	53	33.93	25.51	2.98	38.39	25.48	3.03	40.49	28.14	3.06	43.38	29.54	3.06	46.41	30.96	3.14	47.85	33.65	3.15
	77	62	32.89	25.09	3.43	37.22	25.06	3.50	39.25	27.68	3.53	42.06	29.07	3.53	44.99	30.25	3.60	46.38	33.11	3.62
	87	69	32.02	24.68	3.89	36.25	24.65	3.96	38.22	27.23	4.00	40.96	28.60	4.00	43.82	29.26	4.09	45.19	32.57	4.11
	95	75	31.13	23.67	4.19	35.22	23.64	4.28	37.15	26.11	4.32	39.17	27.42	4.32	42.57	28.06	4.40	43.90	31.24	4.42
	104	78	26.40	21.64	3.81	29.89	21.62	3.88	31.53	23.89	3.90	33.78	25.08	3.90	36.15	25.68	3.99	37.27	28.58	4.01
115	80	19.43	19.03	3.05	22.01	19.00	3.10	23.21	21.00	3.13	24.88	22.06	3.13	26.63	22.58	3.20	27.46	25.14	3.22	
07 + 07 + 07 + 07 + 09	14	12	28.91	23.77	1.62	32.73	23.74	1.66	34.52	26.23	1.66	36.99	27.34	1.66	39.58	27.98	1.70	40.81	30.98	1.71
	23	21	28.39	23.19	1.76	32.12	23.16	1.78	33.89	25.59	1.80	36.31	26.86	1.80	38.85	27.49	1.85	40.06	30.61	1.85
	32	28	28.15	22.98	1.87	31.84	22.96	1.90	33.62	25.41	1.92	35.99	26.62	1.92	38.49	27.27	1.95	39.77	30.32	1.97
	41	37	27.80	22.83	2.13	31.46	22.80	2.17	33.19	25.19	2.18	35.56	26.45	2.18	38.05	27.07	2.22	39.22	30.14	2.24
	50	47	28.04	22.94	2.40	31.74	22.92	2.45	33.49	25.32	2.47	35.88	26.59	2.47	38.39	27.22	2.53	39.59	30.29	2.55
	59	50	29.63	23.70	2.72	33.54	23.66	2.78	35.39	26.15	2.82	37.91	27.46	2.82	40.55	28.73	2.86	41.82	31.27	2.88
	67	53	35.87	26.97	3.15	40.59	26.94	3.20	42.80	29.75	3.23	45.86	31.23	3.23	49.06	32.73	3.32	50.58	35.58	3.33
	77	62	34.77	26.53	3.63	39.35	26.50	3.70	41.49	29.26	3.74	44.46	30.73	3.74	47.56	31.98	3.81	49.03	35.00	3.83
	87	69	33.85	26.09	4.12	38.32	26.05	4.19	40.41	28.79	4.23	43.31	30.23	4.23	46.32	30.93	4.32	47.77	34.43	4.34
	95	75	32.91	25.02	4.43	37.23	24.99	4.53	39.28	27.61	4.56	41.40	28.98	4.56	45.00	29.66	4.66	46.40	33.02	4.67
	104	78	27.91	22.88	4.02	31.60	22.86	4.10	33.33	25.25	4.12	35.71	26.51	4.12	38.21	27.14	4.22	39.40	30.22	4.24
115	80	20.55	20.12	3.22	23.27	20.09	3.28	24.54	22.20	3.31	26.31	23.32	3.31	28.15	23.87	3.38	29.03	26.58	3.40	
07 + 07 + 07 + 07 + 12	14	12	31.26	25.70	1.75	35.38	25.67	1.79	37.32	28.36	1.79	39.99	29.55	1.79	42.79	30.25	1.83	44.12	33.49	1.85
	23	21	30.69	25.07	1.91	34.72	25.04	1.92	36.64	27.66	1.94	39.26	29.04	1.94	42.00	29.72	2.00	43.31	33.09	2.00
	32	28	30.43	24.85	2.02	34.42	24.82	2.05	36.35	27.47	2.07	38.91	28.78	2.07	41.61	29.48	2.11	42.99	32.78	2.13
	41	37	30.05	24.68	2.30	34.01	24.65	2.34	35.88	27.23	2.36	38.45	28.60	2.36	41.14	29.26	2.40	42.40	32.58	2.42
	50	47	30.31	24.80	2.60	34.32	24.78	2.64	36.21	27.37	2.67	38.79	28.75	2.67	41.50	29.43	2.73	42.80	32.75	2.76
	59	50	32.03	25.62	2.94	36.26	25.58	3.01	38.26	28.27	3.05	40.98	29.69	3.05	43.84	31.06	3.09	45.21	33.81	3.11
	67	53	38.78	29.15	3.41	43.88	29.12	3.46	46.27	32.16	3.50	49.58	33.76	3.50	53.03	35.38	3.58	54.68	38.46	3.60
	77	62	37.59	28.68	3.92	42.54	28.64	4.00	44.85	31.63	4.04	48.06	33.22	4.04	51.41	34.57	4.12	53.01	37.84	4.14
	87	69	36.60	28.20	4.45	41.43	28.17	4.53	43.68	31.12	4.57	46.82	32.68	4.57	50.08	33.44	4.67	51.64	37.22	4.69
	95	75	35.57	27.05	4.79	40.25	27.02	4.89	42.46	29.84	4.93	44.76	31.33	4.93	48.65	32.07	5.03	50.17	35.70	5.05
	104	78	30.17	24.73	4.35	34.16	24.71	4.44	36.04	27.30	4.46	38.60	28.66	4.46	41.31	29.35	4.57	42.59	32.67	4.59
115	80	22.21	21.75	3.49	25.16	21.72	3.54	26.53	24.00	3.58	28.44	25.21	3.58	30.43	25.80	3.66	31.39	28.73	3.68	
07 + 07 + 07 + 07 + 18	14	12	33.29	27.37	1.87	37.68	27.34	1.91	39.74	30.20	1.91	42.59	31.47	1.91	45.57	32.22	1.95	46.98	35.67	1.97
	23	21	32.68	26.70	2.03	36.98	26.66	2.05	39.02	29.46	2.07	41.81	30.93	2.07	44.73	31.65	2.13	46.13	35.24	2.13
	32	28	32.41	26.46	2.15	36.66	26.43	2.19	38.71	29.26	2.21	41.44	30.65	2.21	44.31	31.40	2.25	45.79	34.91	2.27
	41	37	32.00	26.28	2.45	36.22	26.25	2.49	38.21	29.00	2.52	40.95	30.45	2.52	43.81	31.16	2.56	45.16	34.70	2.58
	50	47	32.28	26.41	2.77	36.55	26.39	2.82	38.56	29.15	2.84	41.32	30.62	2.84	44.20	31.34	2.91	45.58	34.88	2.94
	59	50	34.11	27.28	3.14	38.62	27.25	3.20	40.74	30.11	3.25	43.64	31.62	3.25	46.69	33.08	3.29	48.15	36.00	3.31
	67	53	41.30	31.05	3.63	46.73	31.01	3.69	49.28	34.25	3.72	52.81	35.96	3.72	56.48	37.68	3.82	58.24	40.96	3.84
	77	62	40.04	30.54	4.18	45.30	30.51	4.26	47.77	33.69	4.30	51.19	35.38	4.30	54.76	36.82	4.39	56.46	40.30	4.41
	87	69	38.98	30.04	4.74	44.12	30.00	4.83	46.52	33.15	4.87	49.86	34.81	4.87	53.33	35.61	4.98	55.00	39.64	5.00
	95	75	37.89	28.81	5.11	42.87	28.77	5.21	45.22	31.78	5.25	47.67	33.37	5.25	51.82	34.15	5.36	53.43	38.02	5.38
	104	78	32.13	26.34	4.63	36.38	26.32	4.72	38.38	29.08	4.75	41.11	30.53	4.75	43.99	31.25	4.86	45.36	34.79	4.89
115	80	23.65	23.17	3.71	26.80	23.13	3.77	28.25	25.56	3.81	30.29	26.85	3.81	32.41	27.48	3.90	33.43	30.60	3.92	
07 + 07 + 07 + 07 + 24	14	12	34.23	28.14	1.92	38.74	28.11	1.96	40.86	31.05	1.96	43.79	32.36	1.96	46.85	33.13	2.01	48.31	36.68	2.03
	23	21	33.60	27.45	2.09	38.02	27.42	2.11	40.12	30.29	2.13	42.99	31.80	2.13	45.99	32.54	2.19	47.43	36.23	2.19
	32	28	33.32	27.21	2.21	37.69	27.17	2.25	39.80	30.08	2.27	42.60	31.52	2.27	45.56	32.28	2.31	47.08	35.89	2.33
	41	37	32.91	27.02	2.52	37.24	26.99	2.56	39.29	29.82	2.59	42.10	31.31	2.59	45.04	32.04	2.63	46.43	35.68	2.65
	50	47	33.19	27.16	2.85	37.58	27.14	2.90	39.65	29.97	2.92	42.48	31.48	2.92	45.44	32.23	2.99	46.87	35.86	3.02
	59	50	35.07	28.05	3.22	39.71	28.01	3.29	41.89	30.96	3.34	44.87	32.51	3.34	48.01	34.01	3.39	49.51	37.02	3.41
	67	53	42.46	31.92	3.73	48.04	31.89	3.79	50.67	35.21	3.83	54.29	36.97	3.83	58.07	38.75	3.93	59.88	42.11	3.94
	77	62	41.16	31.40	4.29	46.58	31.36	4.38	49.12	34.64	4.42	52.63	36.38	4.42	56.30	37.86	4.51	58.05	41.43	4.53
	87	69	40.08	30.88	4.87	45.36	30.84	4.96	47.83	34.08	5.01	51.26	35.79	5.01	54.83	36.61	5.12	56.55	40.75	5.14
	95	75	38.95	29.62	5.25	44.08	29.59	5.36	46.50	32.68	5.40	49.01	34.31	5.40	53.28	35.12	5.51	54.93	39.09	5.53
	104	78	33.04	27.08	4.76	37.41	27.06	4.86	39.46	29.90	4.88	42.27	31.39	4.88	45.23	32.13	5.00	46.64	35.77	5.02
115	80	24.32	23.82	3.82	27.55	23.78	3.88	29.05	26.28	3.92	31.14	27.60	3.92	33.32	28.26	4.01	34.37	31.46	4.03	

OUTDOOR UNIT
WHP18-42M

OUTDOOR UNIT
WHP18-42M

Indoor unit connecting capacity	Outdoor temperature		Indoor temperature																	
			64 °FDB/54 °FWB			70 °FDB/60 °FWB			75 °FDB/63 °FWB			80 °FDB/67 °FWB			85 °FDB/71 °FWB			90 °FDB/73 °FWB		
			TC	SHC	IP	TC	SHC	IP	TC	SHC	IP	TC	SHC	IP	TC	SHC	IP	TC	SHC	IP
kBtu/h	°FDB	°FWB	kBtu/h	kW	kBtu/h	kW	kBtu/h	kW	kBtu/h	kW	kBtu/h	kW	kBtu/h	kW	kBtu/h	kW	kBtu/h	kW		
07 + 07 + 07 + 09 + 18	14	12	33.52	27.56	1.88	37.95	27.53	1.92	40.02	30.41	1.92	42.89	31.69	1.92	45.89	32.45	1.97	47.31	35.92	1.99
	23	21	32.91	26.89	2.04	37.24	26.85	2.06	39.29	29.66	2.08	42.10	31.14	2.08	45.05	31.87	2.14	46.45	35.49	2.14
	32	28	32.64	26.65	2.16	36.92	26.62	2.20	38.98	29.46	2.22	41.73	30.87	2.22	44.63	31.62	2.26	46.11	35.15	2.28
	41	37	32.23	26.47	2.47	36.47	26.43	2.51	38.48	29.21	2.53	41.23	30.67	2.53	44.12	31.38	2.58	45.48	34.94	2.60
	50	47	32.51	26.60	2.79	36.81	26.58	2.84	38.83	29.35	2.86	41.61	30.83	2.86	44.51	31.56	2.93	45.90	35.13	2.96
	59	50	34.35	27.47	3.16	38.89	27.44	3.22	41.03	30.32	3.27	43.95	31.84	3.27	47.02	33.32	3.31	48.49	36.26	3.34
	67	53	41.59	31.27	3.66	47.06	31.23	3.71	49.62	34.49	3.75	53.18	36.21	3.75	56.88	37.95	3.84	58.65	41.25	3.86
	77	62	40.32	30.76	4.20	45.62	30.72	4.29	48.11	33.93	4.33	51.55	35.63	4.33	55.14	37.08	4.42	56.85	40.58	4.44
	87	69	39.25	30.25	4.77	44.43	30.21	4.86	46.85	33.38	4.90	50.21	35.05	4.90	53.71	35.86	5.01	55.39	39.92	5.03
	95	75	38.15	29.01	5.14	43.17	28.98	5.25	45.54	32.01	5.29	48.01	33.60	5.29	52.18	34.39	5.40	53.80	38.29	5.42
	104	78	32.36	26.52	4.66	36.64	26.51	4.76	38.65	29.28	4.78	41.40	30.74	4.78	44.30	31.47	4.90	45.68	35.03	4.92
115	80	23.82	23.33	3.74	26.98	23.29	3.80	28.45	25.74	3.84	30.50	27.04	3.84	32.64	27.67	3.92	33.66	30.82	3.94	
07 + 07 + 07 + 09 + 24	14	12	34.23	28.14	1.92	38.74	28.11	1.96	40.86	31.05	1.96	43.79	32.36	1.96	46.85	33.13	2.01	48.31	36.68	2.03
	23	21	33.60	27.45	2.09	38.02	27.42	2.11	40.12	30.29	2.13	42.99	31.80	2.13	45.99	32.54	2.19	47.43	36.23	2.19
	32	28	33.32	27.21	2.21	37.69	27.17	2.25	39.80	30.08	2.27	42.60	31.52	2.27	45.56	32.28	2.31	47.08	35.89	2.33
	41	37	32.91	27.02	2.52	37.24	26.99	2.56	39.29	29.82	2.59	42.10	31.31	2.59	45.04	32.04	2.63	46.43	35.68	2.65
	50	47	33.19	27.16	2.85	37.58	27.14	2.90	39.65	29.97	2.92	42.48	31.48	2.92	45.44	32.23	2.99	46.87	35.86	3.02
	59	50	35.07	28.05	3.22	39.71	28.01	3.29	41.89	30.96	3.34	44.87	32.51	3.34	48.01	34.01	3.38	49.51	37.02	3.41
	67	53	42.46	31.92	3.73	48.04	31.89	3.79	50.67	35.21	3.83	54.29	36.97	3.83	58.07	38.75	3.93	59.88	42.11	3.94
	77	62	41.16	31.40	4.29	46.58	31.36	4.38	49.12	34.64	4.42	52.63	36.38	4.42	56.30	37.86	4.51	58.05	41.43	4.53
	87	69	40.08	30.88	4.87	45.36	30.84	4.96	47.83	34.08	5.01	51.26	35.79	5.01	54.83	36.61	5.12	56.55	40.75	5.14
	95	75	38.95	29.62	5.25	44.08	29.59	5.36	46.50	32.68	5.40	49.01	34.31	5.40	53.28	35.12	5.51	54.93	39.09	5.53
	104	78	33.04	27.08	4.76	37.41	27.06	4.86	39.46	29.90	4.88	42.27	31.39	4.88	45.23	32.13	5.00	46.64	35.77	5.02
115	80	24.32	23.82	3.82	27.55	23.78	3.88	29.05	26.28	3.92	31.14	27.60	3.92	33.32	28.26	4.01	34.37	31.46	4.03	
07 + 07 + 07 + 12 + 12	14	12	33.17	27.28	1.86	37.55	27.24	1.90	39.60	30.09	1.92	42.44	31.36	1.92	45.41	32.11	1.95	46.82	35.55	1.97
	23	21	32.57	26.61	2.02	36.85	26.57	2.04	38.88	29.35	2.06	41.66	30.82	2.06	44.57	31.54	2.12	45.96	35.12	2.12
	32	28	32.30	26.37	2.14	36.53	26.34	2.18	38.57	29.15	2.20	41.29	30.54	2.20	44.16	31.29	2.24	45.63	34.78	2.26
	41	37	31.89	26.19	2.44	36.09	26.16	2.49	38.08	28.90	2.51	40.80	30.35	2.51	43.65	31.05	2.55	45.00	34.58	2.57
	50	47	32.17	26.32	2.76	36.42	26.30	2.81	38.43	29.05	2.83	41.17	30.51	2.83	44.04	31.23	2.90	45.42	34.76	2.93
	59	50	33.99	27.19	3.12	38.48	27.15	3.19	40.60	30.00	3.23	43.49	31.50	3.23	46.53	32.97	3.28	47.98	35.88	3.30
	67	53	41.15	30.94	3.62	46.56	30.90	3.67	49.10	34.13	3.71	52.62	35.83	3.71	56.28	37.55	3.80	58.03	40.82	3.82
	77	62	39.90	30.44	4.16	45.14	30.40	4.24	47.60	33.57	4.29	51.01	35.26	4.29	54.56	36.69	4.37	56.26	40.16	4.39
	87	69	38.84	29.93	4.72	43.96	29.89	4.81	46.36	33.03	4.85	49.68	34.69	4.85	53.14	35.48	4.96	54.81	39.50	4.98
	95	75	37.75	28.71	5.09	42.72	28.67	5.19	45.06	31.67	5.24	47.50	33.25	5.24	51.63	34.03	5.34	53.24	37.88	5.36
	104	78	32.02	26.25	4.62	36.25	26.23	4.71	38.24	28.97	4.73	40.97	30.42	4.73	43.84	31.14	4.84	45.20	34.67	4.87
115	80	23.57	23.08	3.70	26.70	23.05	3.76	28.16	25.47	3.80	30.18	26.75	3.80	32.30	27.38	3.88	33.31	30.49	3.90	
07 + 07 + 07 + 12 + 18	14	12	33.88	27.85	1.90	38.34	27.82	1.94	40.44	30.73	1.94	43.34	32.03	1.94	46.37	32.79	1.99	47.81	36.30	2.01
	23	21	33.26	27.17	2.06	37.63	27.13	2.09	39.71	29.98	2.11	42.55	31.47	2.11	45.52	32.21	2.17	46.94	35.86	2.17
	32	28	32.98	26.93	2.19	37.31	26.90	2.23	39.39	29.77	2.25	42.17	31.19	2.25	45.10	31.95	2.29	46.59	35.52	2.31
	41	37	32.57	26.75	2.49	36.85	26.71	2.54	38.88	29.51	2.56	41.67	30.99	2.56	44.58	31.71	2.60	45.95	35.31	2.63
	50	47	32.85	26.88	2.82	37.19	26.86	2.87	39.24	29.66	2.89	42.04	31.16	2.89	44.98	31.90	2.96	46.39	35.49	2.99
	59	50	34.71	27.76	3.19	39.30	27.72	3.26	41.46	30.64	3.30	44.41	32.17	3.30	47.51	33.66	3.35	49.00	36.64	3.37
	67	53	42.02	31.60	3.70	47.55	31.56	3.75	50.14	34.85	3.79	53.74	36.59	3.79	57.48	38.35	3.88	59.26	41.68	3.90
	77	62	40.74	31.08	4.25	46.10	31.04	4.33	48.61	34.28	4.38	52.09	36.01	4.38	55.72	37.47	4.46	57.45	41.01	4.48
	87	69	39.66	30.56	4.82	44.89	30.53	4.91	47.34	33.73	4.95	50.74	35.42	4.95	54.27	36.24	5.06	55.97	40.34	5.09
	95	75	38.55	29.32	5.19	43.62	29.28	5.30	46.02	32.34	5.35	48.51	33.96	5.35	52.73	34.75	5.45	54.37	38.69	5.48
	104	78	32.70	26.80	4.71	37.02	26.78	4.81	39.05	29.59	4.83	41.84	31.06	4.83	44.77	31.80	4.95	46.16	35.40	4.97
115	80	24.07	23.57	3.78	27.27	23.54	3.84	28.75	26.01	3.88	30.82	27.32	3.88	32.98	27.96	3.96	34.02	31.14	3.98	
07 + 07 + 09 + 09 + 09	14	12	32.04	26.34	1.80	36.27	26.31	1.84	38.25	29.07	1.84	40.99	30.29	1.84	43.86	31.01	1.88	45.22	34.33	1.90
	23	21	31.45	25.70	1.95	35.59	25.66	1.97	37.55	28.35	1.99	40.24	29.76	1.99	43.05	30.46	2.05	44.39	33.92	2.05
	32	28	31.19	25.47	2.07	35.28	25.44	2.11	37.26	28.16	2.12	39.88	29.50	2.12	42.65	30.22	2.16	44.07	33.60	2.18
	41	37	30.80	25.30	2.36	34.86	25.26	2.40	36.78	27.91	2.42	39.41	29.31	2.42	42.16	29.99	2.46	43.46	33.39	2.48
	50	47	31.07	25.42	2.66	35.18	25.40	2.71	37.11	28.05	2.73	39.76	29.47	2.73	42.54	30.17	2.80	43.87	33.57	2.83
	59	50	32.83	26.26	3.02	37.17	26.22	3.08	39.21	28.98	3.12	42.00	30.43	3.12	44.94	31.84	3.17	46.34	34.65	3.19
	67	53	39.75	29.88	3.49	44.97	29.85	3.55	47.43	32.96	3.58	50.82	34.61	3.58	54.36	36.27	3.67	56.05	39.42	3.69
	77	62	38.53	29.40	4.02	43.60	29.36	4.10	45.98	32.42	4.14	49.27	34.05	4.14	52.70	35.44	4.22	54.34	38.79	4.24
	87	69	37.51	28.91	4.56	42.46	28.87	4.64	44.78	31.90	4.69	47.99	33.50	4.69	51.33	34.27	4.79	52.93	38.15	4.81
	95	75	36.46	27.73	4.91	41.26	27.69	5.02	43.52	30.59	5.06	45.88	32.12	5.06	49.87	32.87	5.16	51.42	36.59	5.18
	104	78	30.93	25.35	4.46	35.02	25.33	4.55	36.94	27.98	4.57	39.57	29.38	4.57	42.34	30.08	4.68	43.66	33.48	4.70
115	80	22.77	22.30	3.57	25.79	22.26	3.63	27.19	24.60	3.67	29.15	25.84	3.67	31.19	26.45	3.75	32.17	29.45	3.77	
07 + 07 + 09 + 09 + 12																				

OUTDOOR UNIT
WHP18-42M

OUTDOOR UNIT
WHP18-42M

Indoor unit connecting capacity	Outdoor temperature		Indoor temperature																	
			64 °FDB/54 °FWB			70 °FDB/60 °FWB			75 °FDB/63 °FWB			80 °FDB/67 °FWB			85 °FDB/71 °FWB			90 °FDB/73 °FWB		
			TC	SHC	IP	TC	SHC	IP	TC	SHC	IP	TC	SHC	IP	TC	SHC	IP	TC	SHC	IP
kBtu/h	°FDB	°FWB	kBtu/h	kW	kBtu/h	kW	kBtu/h	kW	kBtu/h	kW	kBtu/h	kW	kBtu/h	kW	kBtu/h	kW	kBtu/h	kW		
07 + 07 + 09 + 12 + 12	14	12	33.41	27.47	1.88	37.81	27.43	1.92	39.88	30.31	1.92	42.74	31.58	1.92	45.73	32.33	1.96	47.15	35.80	1.98
	23	21	32.80	26.80	2.04	37.11	26.76	2.06	39.16	29.56	2.08	41.96	31.04	2.08	44.89	31.76	2.14	46.29	35.37	2.14
	32	28	32.53	26.56	2.16	36.79	26.52	2.20	38.85	29.36	2.21	41.58	30.76	2.21	44.47	31.51	2.25	45.95	35.03	2.27
	41	37	32.12	26.38	2.46	36.34	26.34	2.50	38.35	29.11	2.52	41.09	30.56	2.52	43.96	31.27	2.57	45.32	34.82	2.59
	50	47	32.40	26.50	2.78	36.68	26.49	2.83	38.70	29.25	2.85	41.46	30.73	2.85	44.35	31.45	2.92	45.74	35.00	2.95
	59	50	34.23	27.38	3.15	38.75	27.34	3.21	40.89	30.22	3.26	43.80	31.73	3.26	46.86	33.20	3.30	48.32	36.13	3.32
	67	53	41.44	31.16	3.64	46.89	31.12	3.70	49.45	34.37	3.74	52.99	36.09	3.74	56.68	37.82	3.83	58.44	41.10	3.85
	77	62	40.18	30.65	4.19	45.46	30.61	4.27	47.94	33.81	4.32	51.37	35.51	4.32	54.95	36.95	4.40	56.65	40.44	4.42
	87	69	39.12	30.14	4.76	44.27	30.10	4.84	46.69	33.26	4.89	50.04	34.93	4.89	53.52	35.74	4.99	55.19	39.78	5.01
	95	75	38.02	28.91	5.12	43.02	28.88	5.23	45.38	31.90	5.27	47.84	33.49	5.27	52.00	34.27	5.38	53.62	38.15	5.40
	104	78	32.25	26.43	4.65	36.51	26.41	4.74	38.51	29.18	4.76	41.26	30.63	4.76	44.15	31.36	4.88	45.52	34.91	4.90
115	80	23.74	23.25	3.72	26.89	23.21	3.79	28.35	25.65	3.83	30.39	26.94	3.83	32.53	27.58	3.91	33.54	30.71	3.93	
07 + 07 + 12 + 12 + 12	14	12	33.76	27.76	1.89	38.21	27.72	1.94	40.30	30.63	1.94	43.19	31.92	1.94	46.21	32.67	1.98	47.64	36.17	2.00
	23	21	33.14	27.08	2.06	37.50	27.04	2.08	39.57	29.87	2.10	42.40	31.36	2.10	45.36	32.10	2.16	46.78	35.74	2.16
	32	28	32.87	26.84	2.18	37.18	26.80	2.22	39.26	29.67	2.24	42.02	31.08	2.24	44.94	31.84	2.28	46.43	35.40	2.30
	41	37	32.46	26.65	2.49	36.73	26.62	2.53	38.75	29.41	2.55	41.52	30.88	2.55	44.43	31.60	2.59	45.79	35.19	2.62
	50	47	32.74	26.78	2.81	37.06	26.76	2.86	39.11	29.56	2.88	41.90	31.05	2.88	44.82	31.78	2.95	46.22	35.37	2.98
	59	50	34.59	27.67	3.18	39.16	27.63	3.25	41.32	30.53	3.29	44.26	32.06	3.29	47.35	33.55	3.34	48.83	36.51	3.36
	67	53	41.88	31.49	3.68	47.39	31.45	3.74	49.97	34.73	3.78	53.55	36.47	3.78	57.28	38.22	3.87	59.06	41.54	3.89
	77	62	40.60	30.97	4.23	45.94	30.94	4.32	48.44	34.16	4.36	51.91	35.88	4.36	55.53	37.34	4.45	57.25	40.87	4.47
	87	69	39.53	30.46	4.81	44.74	30.42	4.89	47.18	33.61	4.94	50.56	35.30	4.94	54.08	36.11	5.05	55.77	40.20	5.07
	95	75	38.42	29.22	5.18	43.47	29.18	5.28	45.86	32.23	5.33	48.34	33.84	5.33	52.55	34.63	5.44	54.18	38.55	5.46
	104	78	32.59	26.71	4.70	36.90	26.69	4.79	38.92	29.49	4.81	41.69	30.96	4.81	44.61	31.69	4.93	46.00	35.28	4.95
115	80	23.99	23.49	3.76	27.17	23.45	3.83	28.65	25.92	3.87	30.71	27.22	3.87	32.87	27.87	3.95	33.90	31.03	3.97	
07 + 09 + 09 + 09 + 09	14	12	32.94	27.08	1.85	37.28	27.05	1.89	39.32	29.88	1.89	42.14	31.14	1.89	45.09	31.88	1.93	46.49	35.29	1.95
	23	21	32.34	26.42	2.01	36.59	26.38	2.03	38.61	29.15	2.05	41.37	30.60	2.05	44.26	31.32	2.11	45.64	34.87	2.11
	32	28	32.07	26.18	2.13	36.27	26.15	2.16	38.30	28.95	2.18	41.00	30.33	2.18	43.85	31.07	2.22	45.30	34.54	2.24
	41	37	31.67	26.01	2.42	35.83	25.97	2.47	37.81	28.70	2.49	40.51	30.13	2.49	43.35	30.83	2.53	44.68	34.33	2.55
	50	47	31.94	26.13	2.74	36.16	26.11	2.79	38.16	28.84	2.81	40.88	30.29	2.81	43.73	31.01	2.88	45.10	34.51	2.91
	59	50	33.75	26.99	3.10	38.21	26.96	3.17	40.31	29.79	3.21	43.18	31.28	3.21	46.20	32.73	3.26	47.64	35.62	3.28
	67	53	40.86	30.72	3.59	46.23	30.68	3.65	48.76	33.89	3.69	52.25	35.58	3.69	55.89	37.29	3.78	57.62	40.53	3.80
	77	62	39.61	30.22	4.13	44.83	30.18	4.21	47.27	33.33	4.26	50.65	35.01	4.26	54.18	36.43	4.34	55.86	39.87	4.36
	87	69	38.57	29.72	4.69	43.65	29.68	4.77	46.03	32.80	4.82	49.33	34.44	4.82	52.77	35.23	4.92	54.42	39.22	4.94
	95	75	37.49	28.51	5.05	42.41	28.47	5.16	44.74	31.45	5.20	47.17	33.02	5.20	51.27	33.79	5.30	52.86	37.62	5.32
	104	78	31.79	26.06	4.58	36.00	26.04	4.67	37.97	28.77	4.70	40.68	30.20	4.70	43.53	30.92	4.81	44.88	34.42	4.83
115	80	23.40	22.92	3.67	26.51	22.88	3.73	27.96	25.29	3.77	29.97	26.56	3.77	32.07	27.19	3.85	33.07	30.28	3.87	
07 + 09 + 09 + 12 + 12	14	12	33.29	27.37	1.87	37.68	27.34	1.91	39.74	30.20	1.91	42.59	31.47	1.91	45.57	32.22	1.95	46.98	35.67	1.97
	23	21	32.68	26.70	2.03	36.98	26.66	2.05	39.02	29.46	2.07	41.81	30.93	2.07	44.73	31.65	2.13	46.13	35.24	2.13
	32	28	32.41	26.46	2.15	36.66	26.43	2.19	38.71	29.26	2.21	41.44	30.65	2.21	44.31	31.40	2.25	45.79	34.91	2.27
	41	37	32.00	26.28	2.45	36.22	26.25	2.49	38.21	29.00	2.52	40.95	30.45	2.52	43.81	31.16	2.56	45.16	34.70	2.58
	50	47	32.28	26.41	2.77	36.55	26.39	2.82	38.56	29.15	2.84	41.32	30.62	2.84	44.20	31.34	2.91	45.58	34.88	2.94
	59	50	34.11	27.28	3.14	38.62	27.25	3.20	40.74	30.11	3.25	43.64	31.62	3.25	46.69	33.08	3.29	48.15	36.00	3.31
	67	53	41.30	31.05	3.63	46.73	31.01	3.69	49.28	34.25	3.72	52.81	35.96	3.72	56.48	37.68	3.82	58.24	40.96	3.84
	77	62	40.04	30.54	4.18	45.30	30.51	4.26	47.77	33.69	4.30	51.19	35.38	4.30	54.76	36.82	4.39	56.46	40.30	4.41
	87	69	38.98	30.04	4.74	44.12	30.00	4.83	46.52	33.15	4.87	49.86	34.81	4.87	53.33	35.61	4.98	55.00	39.64	5.00
	95	75	37.89	28.81	5.11	42.87	28.77	5.21	45.22	31.78	5.25	47.67	33.37	5.25	51.82	34.15	5.36	53.43	38.02	5.38
	104	78	32.13	26.34	4.63	36.38	26.32	4.72	38.38	29.08	4.75	41.11	30.53	4.75	43.99	31.25	4.86	45.36	34.79	4.89
115	80	23.65	23.17	3.71	26.80	23.13	3.77	28.25	25.56	3.81	30.29	26.85	3.81	32.41	27.48	3.90	33.43	30.60	3.92	
07 + 09 + 09 + 18 + 18	14	12	33.99	27.95	1.91	38.48	27.91	1.95	40.58	30.84	1.95	43.49	32.14	1.95	46.53	32.90	1.99	47.98	36.42	2.02
	23	21	33.37	27.27	2.07	37.76	27.23	2.09	39.84	30.08	2.11	42.69	31.58	2.11	45.68	32.32	2.17	47.10	35.99	2.17
	32	28	33.10	27.02	2.19	37.44	26.99	2.23	39.53	29.87	2.25	42.31	31.30	2.25	45.25	32.06	2.29	46.76	35.64	2.31
	41	37	32.68	26.84	2.50	36.98	26.80	2.55	39.02	29.62	2.57	41.81	31.10	2.57	44.73	31.82	2.61	46.11	35.43	2.63
	50	47	32.96	26.97	2.83	37.32	26.95	2.88	39.38	29.77	2.90	42.19	31.26	2.90	45.13	32.01	2.97	46.55	35.62	3.00
	59	50	34.83	27.86	3.20	39.43	27.82	3.27	41.60	30.75	3.31	44.56	32.28	3.31	47.68	33.78	3.36	49.17	36.76	3.38
	67	53	42.17	31.71	3.71	47.72	31.67	3.77	50.32	34.97	3.80	53.92	36.72	3.80	57.68	38.48	3.90	59.47	41.83	3.92
	77	62	40.88	31.19	4.26	46.26	31.15	4.35	48.78	34.40	4.39	52.27	36.13	4.39	55.91	37.60	4.48	57.65	41.15	4.50
	87	69	39.80	30.67	4.84	45.05	30.63	4.93	47.51	33.85	4.97	50.91	35.54	4.97	54.46	36.36	5.08	56.16	40.48	5.10
	95	75	38.69	29.42	5.21	43.77	29.38	5.32	46.18	32.46	5.37	48.68	34.07	5.37	52.91	34.88	5.47	54.56	38.82	5.50
	104	78	32.81	26.89	4.73	37.15	26.88	4.82	39.19	29.69	4.85	41.98	31.17	4.85	44.92	31.91	4.96	46.32	35.52	4.99
115	80	24.15</																		

Indoor unit connecting capacity	Outdoor temperature		Indoor temperature																	
			64 °FDB/54 °FWB			70 °FDB/60 °FWB			75 °FDB/63 °FWB			80 °FDB/67 °FWB			85 °FDB/71 °FWB			90 °FDB/73 °FWB		
			TC	SHC	IP	TC	SHC	IP	TC	SHC	IP	TC	SHC	IP	TC	SHC	IP	TC	SHC	IP
kBtu/h	°FDB	°FWB	kBtu/h	kW	kBtu/h	kW	kBtu/h	kW	kBtu/h	kW	kBtu/h	kW	kBtu/h	kW	kBtu/h	kW	kBtu/h	kW		
09 + 09 + 09 + 09 + 09	14	12	33.17	27.28	1.86	37.55	27.24	1.90	39.60	30.09	1.90	42.44	31.36	1.90	45.41	32.11	1.95	46.82	35.55	1.97
	23	21	32.57	26.61	2.02	36.85	26.57	2.04	38.88	29.35	2.06	41.66	30.82	2.06	44.57	31.54	2.12	45.96	35.12	2.12
	32	28	32.30	26.37	2.14	36.53	26.34	2.18	38.57	29.15	2.20	41.29	30.54	2.20	44.16	31.29	2.24	45.63	34.78	2.26
	41	37	31.89	26.19	2.44	36.09	26.16	2.49	38.08	28.90	2.51	40.80	30.35	2.51	43.65	31.05	2.55	45.00	34.58	2.57
	50	47	32.17	26.32	2.66	36.42	26.30	2.81	38.43	29.05	2.83	41.17	30.51	2.83	44.04	31.23	2.90	45.42	34.76	2.93
	59	50	33.99	27.19	3.12	38.48	27.15	3.19	40.60	30.00	3.23	43.49	31.50	3.23	46.53	32.97	3.28	47.98	35.88	3.30
	67	53	41.15	30.94	3.62	46.56	30.90	3.67	49.10	34.13	3.71	52.62	35.83	3.71	56.28	37.55	3.80	58.03	40.82	3.82
	77	62	39.90	30.44	4.16	45.14	30.40	4.24	47.60	33.57	4.29	51.01	35.26	4.29	54.56	36.69	4.37	56.26	40.16	4.39
	87	69	38.84	29.93	4.72	43.96	29.89	4.81	46.36	33.03	4.85	49.68	34.69	4.85	53.14	35.48	4.96	54.81	39.50	4.98
	95	75	37.75	28.71	5.09	42.72	28.67	5.19	45.06	31.67	5.24	47.50	33.25	5.24	51.63	34.03	5.34	53.24	37.88	5.36
	104	78	32.02	26.25	4.62	36.25	26.23	4.71	38.24	28.97	4.73	40.97	30.42	4.73	43.84	31.14	4.84	45.20	34.67	4.87
115	80	23.57	23.08	3.70	26.70	23.05	3.76	28.16	25.47	3.80	30.18	26.75	3.80	32.30	27.38	3.88	33.31	30.49	3.90	
09 + 09 + 09 + 09 + 12	14	12	33.52	27.56	1.88	37.95	27.53	1.92	40.02	30.41	1.92	42.89	31.69	1.92	45.89	32.45	1.97	47.31	35.92	1.99
	23	21	32.91	26.89	2.04	37.24	26.85	2.06	39.29	29.66	2.08	42.10	31.14	2.08	45.05	31.87	2.14	46.45	35.49	2.14
	32	28	32.64	26.65	2.16	36.92	26.62	2.20	38.98	29.46	2.22	41.73	30.87	2.22	44.63	31.62	2.26	46.11	35.15	2.28
	41	37	32.23	26.47	2.47	36.47	26.43	2.51	38.48	29.21	2.53	41.23	30.67	2.53	44.12	31.38	2.58	45.48	34.94	2.60
	50	47	32.51	26.60	2.79	36.81	26.58	2.84	38.83	29.35	2.86	41.61	30.83	2.86	44.51	31.56	2.93	45.90	35.13	2.96
	59	50	34.35	27.47	3.16	38.89	27.44	3.22	41.03	30.32	3.27	43.95	31.84	3.27	47.02	33.32	3.31	48.49	36.26	3.34
	67	53	41.59	31.27	3.66	47.06	31.23	3.71	49.62	34.49	3.75	53.18	36.21	3.75	56.88	37.95	3.84	58.65	41.25	3.86
	77	62	40.32	30.76	4.20	45.62	30.72	4.29	48.11	33.93	4.33	51.55	35.63	4.33	55.14	37.08	4.42	56.85	40.58	4.44
	87	69	39.25	30.25	4.77	44.43	30.21	4.86	46.85	33.38	4.90	50.21	35.05	4.90	53.71	35.86	5.01	55.39	39.92	5.03
	95	75	38.15	29.01	5.14	43.17	28.98	5.25	45.54	32.01	5.29	48.01	33.60	5.29	52.18	34.39	5.40	53.80	38.29	5.42
	104	78	32.36	26.52	4.66	36.64	26.51	4.76	38.65	29.28	4.78	41.40	30.74	4.78	44.30	31.47	4.90	45.68	35.03	4.92
115	80	23.82	23.33	3.74	26.98	23.29	3.80	28.45	25.74	3.84	30.50	27.04	3.84	32.64	27.67	3.92	33.66	30.82	3.94	
09 + 09 + 09 + 09 + 18	14	12	34.23	28.14	1.92	38.74	28.11	1.96	40.86	31.05	1.96	43.79	32.36	1.96	46.85	33.13	2.01	48.31	36.68	2.03
	23	21	33.60	27.45	2.09	38.02	27.42	2.11	40.12	30.29	2.13	42.99	31.80	2.13	45.99	32.54	2.19	47.43	36.23	2.19
	32	28	33.32	27.21	2.21	37.69	27.17	2.25	39.80	30.08	2.27	42.60	31.52	2.27	45.56	32.28	2.31	47.08	35.89	2.33
	41	37	32.91	27.02	2.52	37.24	26.99	2.56	39.29	29.82	2.59	42.10	31.31	2.59	45.04	32.04	2.63	46.43	35.68	2.65
	50	47	33.19	27.16	2.85	37.58	27.14	2.90	39.65	29.97	2.92	42.48	31.48	2.92	45.44	32.23	2.99	46.87	35.86	3.02
	59	50	35.07	28.05	3.22	39.71	28.01	3.29	41.89	30.96	3.34	44.87	32.51	3.34	48.01	34.01	3.38	49.51	37.02	3.41
	67	53	42.46	31.92	3.73	48.04	31.89	3.79	50.67	35.21	3.83	54.29	36.97	3.83	58.07	38.75	3.93	59.88	42.11	3.94
	77	62	41.16	31.40	4.29	46.58	31.36	4.38	49.12	34.64	4.42	52.63	36.38	4.42	56.30	37.86	4.51	58.05	41.43	4.53
	87	69	40.08	30.88	4.87	45.36	30.84	4.96	47.83	34.08	5.01	51.26	35.79	5.01	54.83	36.61	5.12	56.55	40.75	5.14
	95	75	38.95	29.62	5.25	44.08	29.59	5.36	46.50	32.68	5.40	49.01	34.31	5.40	53.28	35.12	5.51	54.93	39.09	5.53
	104	78	33.04	27.08	4.76	37.41	27.06	4.86	39.46	29.90	4.88	42.27	31.39	4.88	45.23	32.13	5.00	46.64	35.77	5.02
115	80	24.32	23.82	3.82	27.55	23.78	3.88	29.05	26.28	3.92	31.14	27.60	3.92	33.32	28.26	4.01	34.37	31.46	4.03	
09 + 09 + 09 + 12 + 12	14	12	33.88	27.85	1.90	38.34	27.82	1.94	40.44	30.73	1.94	43.34	32.03	1.94	46.37	32.79	1.99	47.81	36.30	2.01
	23	21	33.26	27.17	2.06	37.63	27.13	2.09	39.71	29.98	2.11	42.55	31.47	2.11	45.52	32.21	2.17	46.94	35.86	2.17
	32	28	32.98	26.93	2.19	37.31	26.90	2.23	39.39	29.77	2.25	42.17	31.19	2.25	45.10	31.95	2.29	46.59	35.52	2.31
	41	37	32.57	26.75	2.49	36.85	26.71	2.54	38.88	29.51	2.56	41.67	30.99	2.56	44.58	31.71	2.60	45.95	35.31	2.63
	50	47	32.85	26.88	2.82	37.19	26.86	2.87	39.24	29.66	2.89	42.04	31.16	2.89	44.98	31.90	2.96	46.39	35.49	2.99
	59	50	34.71	27.76	3.19	39.30	27.72	3.26	41.46	30.64	3.30	44.41	32.17	3.30	47.51	33.66	3.35	49.00	36.64	3.37
	67	53	42.02	31.60	3.70	47.55	31.56	3.75	50.14	34.85	3.79	53.74	36.59	3.79	57.48	38.35	3.88	59.26	41.68	3.90
	77	62	40.74	31.08	4.25	46.10	31.04	4.33	48.61	34.28	4.38	52.09	36.01	4.38	55.72	37.47	4.46	57.45	41.01	4.48
	87	69	39.66	30.56	4.82	44.89	30.53	4.91	47.34	33.73	4.95	50.74	35.42	4.95	54.27	36.24	5.06	55.97	40.34	5.09
	95	75	38.55	29.32	5.19	43.62	29.28	5.30	46.02	32.34	5.35	48.51	33.96	5.35	52.73	34.75	5.45	54.37	38.69	5.48
	104	78	32.70	26.80	4.71	37.02	26.78	4.81	39.05	29.59	4.83	41.84	31.06	4.83	44.77	31.80	4.95	46.16	35.40	4.97
115	80	24.07	23.57	3.78	27.27	23.54	3.84	28.75	26.01	3.88	30.82	27.32	3.88	32.98	27.96	3.96	34.02	31.14	3.98	
09 + 09 + 12 + 12 + 12	14	12	34.23	28.14	1.92	38.74	28.11	1.96	40.86	31.05	1.96	43.79	32.36	1.96	46.85	33.13	2.01	48.31	36.68	2.03
	23	21	33.60	27.45	2.09	38.02	27.42	2.11	40.12	30.29	2.13	42.99	31.80	2.13	45.99	32.54	2.19	47.43	36.23	2.19
	32	28	33.32	27.21	2.21	37.69	27.17	2.25	39.80	30.08	2.27	42.60	31.52	2.27	45.56	32.28	2.31	47.08	35.89	2.33
	41	37	32.91	27.02	2.52	37.24	26.99	2.56	39.29	29.82	2.59	42.10	31.31	2.59	45.04	32.04	2.63	46.43	35.68	2.65
	50	47	33.19	27.16	2.85	37.58	27.14	2.90	39.65	29.97	2.92	42.48	31.48	2.92	45.44	32.23	2.99	46.87	35.86	3.02
	59	50	35.07	28.05	3.22	39.71	28.01	3.29	41.89	30.96	3.34	44.87	32.51	3.34	48.01	34.01	3.38	49.51	37.02	3.41
	67	53	42.46	31.92	3.73	48.04	31.89	3.79	50.67	35.21	3.83	54.29	36.97	3.83	58.07	38.75	3.93	59.88	42.11	3.94
	77	62	41.16	31.40	4.29	46.58	31.36	4.38	49.12	34.64	4.42	52.63	36.38	4.42	56.30	37.86	4.51	58.05	41.43	4.53
	87	69	40.08	30.88	4.87	45.36	30.84	4.96	47.83	34.08	5.01	51.26	35.79	5.01	54.83	36.61	5.12	56.55	40.75	5.14
	95	75	38.95	29.62	5.25	44.08	29.59	5.36	46.50	32.68	5.40	49.01	34.31	5.40	53.28	35.12	5.51	54.93	39.09	5.53
	104	78	33.04	27.08	4.76	37.41	27.06	4.86	39.46	29.90	4.88	42.27	31.39	4.88	45.23	32.13	5.00	46.64	35.77	5.02
115	80	24.32	23.82	3.82	27.55	23.78	3.88	29.05	26.28	3.92	31.14	27.60	3.92	33.32	28.26	4.01	34.37	31.46		

■ Heating

- TC: Total Capacity (Gross)
- IP: Input Power (Including the compressor, evaporator fan motor, and condenser fan motor)

OUTDOOR UNIT
WHP18-42M

OUTDOOR UNIT
WHP18-42M

Indoor unit connecting capacity	Outdoor temperature		Indoor temperature									
			60 °FDB		65 °FDB		70 °FDB		75 °FDB		78 °FDB	
			TC	IP	TC	IP	TC	IP	TC	IP	TC	IP
kBtu/h	°FDB	°FWB	kBtu/h	kW	kBtu/h	kW	kBtu/h	kW	kBtu/h	kW	kBtu/h	kW
07 + 09 + 18	-5	-7	31.24	2.94	30.43	2.99	29.69	3.07	29.09	3.12	28.19	3.18
	5	3	37.67	3.47	36.75	3.55	36.00	3.62	35.57	3.69	34.71	3.76
	14	12	42.34	4.07	41.29	4.15	38.71	4.25	39.27	4.33	38.18	4.41
	23	19	43.12	4.25	42.06	4.34	40.27	4.42	40.05	4.52	38.96	4.60
	32	28	45.25	4.37	44.08	4.46	43.15	4.54	41.91	4.65	40.82	4.74
	41	37	46.85	4.59	45.63	4.68	44.70	4.76	43.46	4.87	42.38	4.97
	47	43	48.43	4.33	47.19	4.35	46.35	4.45	45.01	4.54	43.77	4.63
	50	47	44.03	3.62	42.90	3.65	42.14	3.73	40.92	3.81	39.79	3.89
	59	50	39.53	2.98	38.51	3.00	37.83	3.08	36.74	3.15	35.73	3.19
	68	59	34.93	2.40	34.03	2.42	33.43	2.48	32.46	2.53	31.57	2.58
75	65	25.19	1.71	24.55	1.73	24.11	1.77	23.42	1.81	22.77	1.84	
07 + 09 + 24	-5	-7	31.24	2.94	30.43	2.99	29.69	3.07	29.09	3.12	28.19	3.18
	5	3	37.67	3.47	36.75	3.55	36.00	3.62	35.57	3.69	34.71	3.76
	14	12	42.77	4.11	41.70	4.20	39.09	4.29	39.66	4.37	38.57	4.46
	23	19	43.99	4.34	42.91	4.42	41.07	4.51	40.85	4.61	39.74	4.70
	32	28	46.61	4.50	45.41	4.59	44.45	4.68	43.17	4.79	42.05	4.88
	41	37	48.73	4.78	47.47	4.87	46.50	4.95	45.21	5.07	44.08	5.17
	47	43	50.86	4.55	49.55	4.57	48.67	4.67	47.27	4.76	45.97	4.86
	50	47	46.23	3.81	45.05	3.83	44.25	3.92	42.97	4.00	41.79	4.08
	59	50	41.51	3.13	40.44	3.15	39.73	3.23	38.58	3.30	37.52	3.35
	68	59	36.68	2.52	35.74	2.55	35.10	2.60	34.09	2.66	33.15	2.71
75	65	26.46	1.79	25.78	1.81	25.32	1.86	24.59	1.90	23.91	1.93	
07 + 12 + 18	-5	-7	31.24	2.94	30.43	2.99	29.69	3.07	29.09	3.12	28.19	3.18
	5	3	37.67	3.47	36.75	3.55	36.00	3.62	35.57	3.69	34.71	3.76
	14	12	42.61	4.10	41.54	4.18	38.94	4.27	39.51	4.36	38.42	4.44
	23	19	43.65	4.30	42.58	4.39	40.76	4.48	40.54	4.57	39.44	4.66
	32	28	46.08	4.45	44.90	4.54	43.95	4.63	42.69	4.73	41.58	4.82
	41	37	48.00	4.71	46.76	4.80	45.81	4.88	44.53	4.99	43.42	5.09
	47	43	49.92	4.46	48.64	4.49	47.78	4.58	46.40	4.68	45.12	4.77
	50	47	45.38	3.74	44.22	3.76	43.44	3.85	42.18	3.93	41.02	4.01
	59	50	40.74	3.07	39.70	3.09	39.00	3.17	37.87	3.24	36.83	3.29
	68	59	36.00	2.47	35.08	2.50	34.46	2.55	33.47	2.61	32.54	2.66
75	65	25.97	1.76	25.30	1.78	24.86	1.82	24.14	1.86	23.47	1.89	
07 + 12 + 24	-5	-7	31.24	2.94	30.43	2.99	29.69	3.07	29.09	3.12	28.19	3.18
	5	3	37.67	3.47	36.75	3.55	36.00	3.62	35.57	3.69	34.71	3.76
	14	12	42.90	4.13	41.83	4.21	39.21	4.30	39.79	4.39	38.69	4.47
	23	19	44.25	4.36	43.17	4.45	41.32	4.54	41.10	4.64	39.98	4.72
	32	28	47.03	4.54	45.82	4.63	44.85	4.72	43.56	4.83	42.43	4.92
	41	37	49.30	4.83	48.03	4.93	47.05	5.01	45.74	5.13	44.60	5.23
	47	43	51.60	4.61	50.28	4.64	49.39	4.74	47.97	4.83	46.64	4.93
	50	47	46.91	3.86	45.71	3.89	44.90	3.98	43.61	4.06	42.40	4.14
	59	50	42.12	3.18	41.04	3.20	40.31	3.28	39.15	3.35	38.07	3.40
	68	59	37.22	2.56	36.26	2.58	35.62	2.64	34.59	2.70	33.64	2.75
75	65	26.84	1.82	26.16	1.84	25.69	1.88	24.95	1.92	24.26	1.96	
07 + 18 + 24	-5	-7	28.86	5.45	28.12	5.35	27.43	5.26	26.88	5.13	26.05	5.03
	5	3	34.80	5.72	33.96	5.62	33.26	5.51	32.86	5.41	32.07	5.29
	14	12	40.78	5.93	39.76	5.82	38.83	5.71	37.82	5.59	36.77	5.48
	23	19	44.01	6.17	42.93	6.06	41.84	5.93	40.76	5.81	39.68	5.75
	32	28	47.10	6.32	45.89	6.21	44.92	6.07	43.63	5.95	42.50	5.83
	41	37	50.59	6.40	49.29	6.28	48.28	6.13	46.94	6.03	45.77	5.92
	47	43	53.58	6.47	51.97	6.34	50.76	6.21	49.55	6.14	48.34	6.05
	50	47	49.26	6.08	48.00	5.96	47.15	5.84	45.79	5.71	44.53	5.67
	59	50	44.23	5.66	43.09	5.57	42.33	5.45	41.11	5.32	39.98	5.28
	68	59	39.08	5.21	38.08	5.10	37.41	4.99	36.33	4.89	2.89	4.84
75	65	28.19	3.88	27.47	3.81	26.98	3.74	26.20	3.65	25.48	3.60	
09 + 09 + 18	-5	-7	31.24	2.94	30.43	2.99	29.69	3.07	29.09	3.12	28.19	3.18
	5	3	37.67	3.47	36.75	3.55	36.00	3.62	35.57	3.69	34.71	3.76
	14	12	42.34	4.07	41.29	4.15	38.71	4.25	39.27	4.33	38.18	4.41
	23	19	43.12	4.25	42.06	4.34	40.27	4.42	40.05	4.52	38.96	4.60
	32	28	45.25	4.37	44.08	4.46	43.15	4.54	41.91	4.65	40.82	4.74
	41	37	46.85	4.59	45.63	4.68	44.70	4.76	43.46	4.87	42.38	4.97
	47	43	48.43	4.33	47.19	4.35	46.35	4.45	45.01	4.54	43.77	4.63
	50	47	44.03	3.62	42.90	3.65	42.14	3.73	40.92	3.81	39.79	3.89
	59	50	39.53	2.98	38.51	3.00	37.83	3.08	36.74	3.15	35.73	3.19
	68	59	34.93	2.40	34.03	2.42	33.43	2.48	32.46	2.53	31.57	2.58
75	65	25.19	1.71	24.55	1.73	24.11	1.77	23.42	1.81	22.77	1.84	
09 + 09 + 24	-5	-7	31.24	2.94	30.43	2.99	29.69	3.07	29.09	3.12	28.19	3.18
	5	3	37.67	3.47	36.75	3.55	36.00	3.62	35.57	3.69	34.71	3.76
	14	12	42.80	4.12	41.73	4.20	39.12	4.29	39.69	4.38	38.60	4.46
	23	19	44.05	4.34	42.97	4.43	41.14	4.52	40.91	4.62	39.80	4.70
	32	28	46.71	4.51	45.51	4.60	44.55	4.69	43.27	4.80	42.15	4.89
	41	37	48.87	4.79	47.61	4.88	46.64	4.97	45.34	5.08	44.21	5.18
	47	43	51.04	4.56	49.74	4.59	48.85	4.69	47.45	4.78	46.14	4.88
	50	47	46.40	3.82	45.21	3.85	44.41	3.94	43.13	4.02	41.94	4.10
	59	50	41.66	3.14	40.59	3.16	39.87	3.24	38.72	3.32	37.65	3.37
	68	59	36.81	2.53	35.87	2.56	35.23	2.61	34.22	2.67	33.27	2.72
75	65	26.55	1.80	25.87	1.82	25.41	1.86	24.68	1.90	24.00	1.94	

Indoor unit connecting capacity	Outdoor temperature		Indoor temperature									
			60 °FDB		65 °FDB		70 °FDB		75 °FDB		78 °FDB	
			TC	IP	TC	IP	TC	IP	TC	IP	TC	IP
kBtu/h	°FDB	°FWB	kBtu/h	kW	kBtu/h	kW	kBtu/h	kW	kBtu/h	kW	kBtu/h	kW
09 + 12 + 18	-5	-7	31.24	2.94	30.43	2.99	29.69	3.07	29.09	3.12	28.19	3.18
	5	3	37.67	3.47	36.75	3.55	36.00	3.62	35.57	3.69	34.71	3.76
	14	12	42.61	4.10	41.54	4.18	38.94	4.27	39.51	4.36	38.42	4.44
	23	19	43.65	4.30	42.58	4.39	40.76	4.48	40.54	4.57	39.44	4.66
	32	28	46.08	4.45	44.90	4.54	43.95	4.63	42.69	4.73	41.58	4.82
	41	37	48.00	4.71	46.76	4.80	45.81	4.88	44.53	4.99	43.42	5.09
	47	43	49.92	4.46	48.64	4.49	47.78	4.58	46.40	4.68	45.12	4.77
	50	47	45.38	3.74	44.22	3.76	43.44	3.85	42.18	3.93	41.02	4.01
	59	50	40.74	3.07	39.70	3.09	39.00	3.17	37.87	3.24	36.83	3.29
	68	59	36.00	2.47	35.08	2.50	34.46	2.55	33.47	2.61	32.54	2.66
75	65	25.97	1.76	25.30	1.78	24.86	1.82	24.14	1.86	23.47	1.89	
09 + 12 + 24	-5	-7	31.24	2.94	30.43	2.99	29.69	3.07	29.09	3.12	28.19	3.18
	5	3	37.67	3.47	36.75	3.55	36.00	3.62	35.57	3.69	34.71	3.76
	14	12	42.90	4.13	41.83	4.21	39.21	4.30	39.79	4.39	38.69	4.47
	23	19	44.25	4.36	43.17	4.45	41.32	4.54	41.10	4.64	39.98	4.72
	32	28	47.03	4.54	45.82	4.63	44.85	4.72	43.56	4.83	42.43	4.92
	41	37	49.30	4.83	48.03	4.93	47.05	5.01	45.74	5.13	44.60	5.23
	47	43	51.60	4.61	50.28	4.64	49.39	4.74	47.97	4.83	46.64	4.93
	50	47	46.91	3.86	45.71	3.89	44.90	3.98	43.61	4.06	42.40	4.14
	59	50	42.12	3.18	41.04	3.20	40.31	3.28	39.15	3.35	38.07	3.40
	68	59	37.22	2.56	36.26	2.58	35.62	2.64	34.59	2.70	33.64	2.75
75	65	26.84	1.82	26.16	1.84	25.69	1.88	24.95	1.92	24.26	1.96	
09 + 18 + 24	-5	-7	28.86	5.45	28.12	5.35	27.43	5.26	26.88	5.13	26.05	5.03
	5	3	34.80	5.72	33.96	5.62	33.26	5.51	32.86	5.41	32.07	5.29
	14	12	40.78	5.93	39.76	5.82	38.83	5.71	37.82	5.59	36.77	5.48
	23	19	44.01	6.17	42.93	6.06	41.84	5.93	40.76	5.81	39.68	5.75
	32	28	47.10	6.32	45.89	6.21	44.92	6.07	43.63	5.95	42.50	5.83
	41	37	50.59	6.40	49.29	6.28	48.28	6.13	46.94	6.03	45.77	5.92
	47	43	53.58	6.47	51.97	6.34	50.76	6.21	49.55	6.14	48.34	6.05
	50	47	49.26	6.08	48.00	5.96	47.15	5.84	45.79	5.71	44.53	5.67
	59	50	44.23	5.66	43.09	5.57	42.33	5.45	41.11	5.32	39.98	5.28
	68	59	39.08	5.21	38.08	5.10	37.41	4.99	36.33	4.89	2.89	4.84
75	65	28.19	3.88	27.47	3.81	26.98	3.74	26.20	3.65	25.48	3.60	
12 + 12 + 18	-5	-7	31.24	2.94	30.43	2.99	29.69	3.07	29.09	3.12	28.19	3.18
	5	3	37.67	3.47	36.75	3.55	36.00	3.62	35.57	3.69	34.71	3.76
	14	12	42.77	4.11	41.70	4.20	39.09	4.29	39.66	4.37	38.57	4.46
	23	19	43.99	4.34	42.91	4.42	41.07	4.51	40.85	4.61	39.74	4.70
	32	28	46.61	4.50	45.41	4.59	44.45	4.68	43.17	4.79	42.05	4.88
	41	37	48.73	4.78	47.47	4.87	46.50	4.95	45.21	5.07	44.08	5.17
	47	43	50.86	4.55	49.55	4.57	48.67	4.67	47.27	4.76	45.97	4.86
	50	47	46.23	3.81	45.05	3.83	44.25	3.92	42.97	4.00	41.79	4.08
	59	50	41.51	3.13	40.44	3.15	39.73	3.23	38.58	3.30	37.52	3.35
	68	59	36.68	2.52	35.74	2.55	35.10	2.60	34.09	2.66	33.15	2.71
75	65	26.46	1.79	25.78	1.81	25.32	1.86	24.59	1.90	23.91	1.93	
12 + 12 + 24	-5	-7	31.24	2.94	30.43	2.99	29.69	3.07	29.09	3.12	28.19	3.18
	5	3	37.67	3.47	36.75	3.55	36.00	3.62	35.57	3.69	34.71	3.76
	14	12	43.16	4.15	42.09	4.24	39.45	4.33	40.03	4.41	38.92	4.50
	23	19	44.78	4.41	43.69	4.50	41.82	4.59	41.59	4.69	40.46	4.78
	32	28	47.87	4.62	46.63	4.71	45.65	4.81	44.33	4.92	43.19	5.01
	41	37	50.46	4.95	49.16	5.04	48.15	5.13	46.82	5.25	45.64	5.35
	47	43	53.10	4.75	51.74	4.77	50.82	4.87	49.36	4.97	47.99	5.07
	50	47	48.27	3.97	47.03	4.00	46.20	4.09	44.87	4.18	43.63	4.26
	59	50	43.34	3.27	42.23	3.29	41.48	3.37	40.28	3.45	39.17	3.50
	68	59	38.30	2.63	37.31	2.66	36.65	2.71	35.60	2.78	34.61	2.83
75	65	27.62	1.87	26.91	1.89	26.44	1.94	25.67	1.98	24.97	2.01	
12 + 18 + 24	-5	-7	28.86	5.45	28.12	5.35	27.43	5.26	26.88	5.13	26.05	5.03
	5	3	34.80	5.72	33.96	5.62	33.26	5.51	32.86	5.41	32.07	5.29
	14	12	40.85	5.94	39.84	5.83	38.90	5.72	37.89	5.60	36.84	5.49
	23	19	44.17	6.20	43.08	6.08	41.99	5.95	40.91	5.84	39.82	5.77
	32	28	47.35	6.36	46.13	6.24	45.15	6.10	43.85	5.98	42.72	5.86
	41	37	50.93	6.44	49.61	6.32	48.60	6.17	47.25	6.07	46.07	5.96
	47	43	54.01	6.52	52.38	6.39	51.17	6.26	49.95	6.19	48.73	6.10
	50	47	49.66	6.13	48.39	6.01	47.53	5.89	46.16	5.75	44.89	5.71
	59	50	44.58	5.70	43.44	5.62	42.67	5.50	41.44	5.36	40.30	5.33
	68	59	39.40	5.25	38.39	5.15	37.71	5.03	36.62	4.93	35.61	4.88
75	65	28.42	3.91	27.69	3.84	27.20	3.77	26.41	3.67	25.69	3.63	
07 + 07 + 07 + 18	-5	-7	29.16	5.51	28.40	5.40	27.71	5.32	27.15	5.18	26.31	5.08
	5	3	35.15	5.78	34.30	5.68	33.60	5.57	33.19	5.46	32.40	5.34
	14	12	40.45	5.89	39.44	5.78	38.51	5.67	37.51	5.54	36.47	5.43
	23	19	42.91	6.02	41.85	5.91	40.80	5.78	39.74	5.67	38.69	5.60
	32	28	45.19	6.07	44.03	5.96	43.10	5.82	41.86	5.71	40.77	5.60
	41	37	47.81	6.05	46.58	5.93	45.62	5.80	44.36	5.70	43.25	5.59
	47	43	49.91	6.03	48.41	5.91	47.28	5.79	46.16	5.72	45.03	5.64
	50	47	45.89	5.66	44.72	5.55	43.92	5.44	42.66	5.32	41.48	5.28
	59	50	41.20	5.27	40.15	5.19	39.43	5.08	38.30	4.96	37.24	4.92
	68	59	36.41	4.85	35.47	4.76	34.85	4.65	33.84	4.55	32.91	4.51
75	65	26.26	3.61	25.59	3.55	25.13	3.48	24.41	3.40	23.74	3.35	
07 + 07 + 07 + 24	-5	-7	29.16	5.51	28.40	5.40	27.71	5.32	27.15	5.18	26.31	5.08
	5	3	35.15	5.78	34.30	5.68	33.60	5.57	33.19	5.46	32.40	5.34
	14	12	41.47	6.03	40.44	5.92	39.49	5.81	38.46	5.68	37.40	5.57
	23	19	45.04	6.32	43.93	6.20	42.82	6.07	41.72	5.95	40.61	5.88
	32	28	48.48	6.51	47.24	6.39	46.24	6.25	44.91	6.13	43.74	6.00
	41	37	52.35	6.62	51.00	6.50	49.96	6.35	48.57	6.24	47.36	6.12
	47	43	55.71	6.73	54.04	6.59	52.78	6.46	51.53	6.38	50.27	6.29
	50	47	51.23	6.32	49.92	6.20	49.03	6.07	47.62	5.93	46.30	5.89
	59	50	45.99	5.89	44.81	5.80	44.02	5.67	42.75	5.53	41.57	5.49
	68	59	40.64	5.42	39.60	5.31	38.90	5.19	37.78	5.08	36.73	5.03
75	65	29.31	4.03	28.56	3.97	28.06	3.88	27.25	3.79	26.50	3.74	

OUTDOOR UNIT
WHP18-42M

OUTDOOR UNIT
WHP18-42M

Indoor unit connecting capacity	Outdoor temperature		Indoor temperature									
			60 °FDB		65 °FDB		70 °FDB		75 °FDB		78 °FDB	
			TC	IP	TC	IP	TC	IP	TC	IP	TC	IP
kBtu/h	°FDB	°FWB	kBtu/h	kW	kBtu/h	kW	kBtu/h	kW	kBtu/h	kW	kBtu/h	kW
07 + 07 + 09 + 12	-5	-7	29.16	5.51	28.40	5.40	27.71	5.32	27.15	5.18	26.31	5.08
	5	3	35.15	5.78	34.30	5.68	33.60	5.57	33.19	5.46	32.40	5.34
	14	12	39.76	5.79	38.77	5.68	37.86	5.57	36.87	5.45	35.85	5.34
	23	19	41.49	5.82	40.47	5.71	39.45	5.59	38.43	5.48	37.41	5.42
	32	28	43.00	5.77	41.89	5.67	41.01	5.54	39.83	5.43	38.79	5.33
	41	37	44.78	5.67	43.62	5.56	42.73	5.43	41.55	5.34	40.51	5.24
	47	43	46.04	5.56	44.66	5.45	43.62	5.34	42.58	5.28	41.54	5.20
	50	47	42.34	5.22	41.25	5.12	40.52	5.02	39.35	4.90	38.27	4.87
	59	50	38.01	4.86	37.03	4.79	36.38	4.69	35.33	4.57	34.35	4.54
	68	59	33.59	4.48	32.72	4.39	32.14	4.29	31.22	4.20	30.36	4.16
75	65	24.22	3.33	23.60	3.28	23.19	3.21	22.52	3.13	21.90	3.09	
07 + 07 + 09 + 18	-5	-7	29.16	5.51	28.40	5.40	27.71	5.32	27.15	5.18	26.31	5.08
	5	3	35.15	5.78	34.30	5.68	33.60	5.57	33.19	5.46	32.40	5.34
	14	12	40.79	5.94	39.77	5.83	38.84	5.72	37.83	5.59	36.78	5.48
	23	19	43.62	6.12	42.55	6.01	41.47	5.88	40.40	5.76	39.33	5.70
	32	28	46.29	6.22	45.10	6.10	44.15	5.96	42.87	5.85	41.76	5.73
	41	37	49.32	6.24	48.05	6.12	47.07	5.98	45.76	5.88	44.62	5.77
	47	43	51.85	6.26	50.29	6.14	49.12	6.01	47.95	5.94	46.78	5.86
	50	47	47.67	5.88	46.45	5.77	45.63	5.65	44.31	5.52	43.09	5.48
	59	50	42.80	5.48	41.70	5.39	40.96	5.28	39.78	5.15	38.68	5.11
	68	59	37.82	5.04	36.85	4.94	36.20	4.83	35.15	4.73	34.18	4.68
75	65	27.28	3.75	26.58	3.69	26.11	3.62	25.36	3.53	24.66	3.48	
07 + 07 + 09 + 24	-5	-7	29.16	5.51	28.40	5.40	27.71	5.32	27.15	5.18	26.31	5.08
	5	3	35.15	5.78	34.30	5.68	33.60	5.57	33.19	5.46	32.40	5.34
	14	12	41.09	5.98	40.06	5.87	39.12	5.76	38.10	5.63	37.05	5.52
	23	19	44.24	6.21	43.15	6.09	42.06	5.96	40.98	5.85	39.89	5.78
	32	28	47.25	6.34	46.03	6.23	45.06	6.09	43.76	5.97	42.63	5.85
	41	37	50.65	6.41	49.34	6.28	48.33	6.14	46.99	6.04	45.82	5.92
	47	43	53.54	6.46	51.93	6.34	50.72	6.21	49.51	6.13	48.31	6.05
	50	47	49.23	6.07	47.97	5.95	47.12	5.83	45.76	5.70	44.50	5.66
	59	50	44.20	5.66	43.06	5.57	42.30	5.45	41.08	5.32	39.95	5.28
	68	59	39.05	5.20	38.05	5.10	37.38	4.99	36.30	4.89	35.30	4.83
75	65	28.17	3.88	27.45	3.81	26.96	3.73	26.18	3.64	25.46	3.60	
07 + 07 + 12 + 12	-5	-7	29.16	5.51	28.40	5.40	27.71	5.32	27.15	5.18	26.31	5.08
	5	3	35.15	5.78	34.30	5.68	33.60	5.57	33.19	5.46	32.40	5.34
	14	12	40.27	5.86	39.27	5.75	38.35	5.64	37.35	5.52	36.32	5.41
	23	19	42.55	5.97	41.51	5.86	40.46	5.73	39.41	5.62	38.37	5.56
	32	28	44.64	5.99	43.49	5.88	42.58	5.75	41.35	5.64	40.28	5.53
	41	37	47.05	5.95	45.84	5.84	44.90	5.70	43.65	5.61	42.56	5.50
	47	43	48.94	5.91	47.47	5.79	46.37	5.68	45.26	5.61	44.16	5.53
	50	47	45.00	5.55	43.85	5.44	43.07	5.33	41.83	5.21	40.68	5.18
	59	50	40.40	5.17	39.37	5.09	38.67	4.98	37.55	4.86	36.52	4.83
	68	59	35.70	4.76	34.79	4.66	34.17	4.56	33.19	4.47	32.27	4.42
75	65	25.75	3.54	25.09	3.48	24.65	3.41	23.94	3.33	23.28	3.29	
07 + 07 + 12 + 18	-5	-7	29.16	5.51	28.40	5.40	27.71	5.32	27.15	5.18	26.31	5.08
	5	3	35.15	5.78	34.30	5.68	33.60	5.57	33.19	5.46	32.40	5.34
	14	12	41.01	5.97	39.99	5.86	39.05	5.75	38.03	5.62	36.98	5.51
	23	19	44.08	6.18	43.00	6.07	41.91	5.94	40.83	5.82	39.74	5.76
	32	28	47.00	6.31	45.79	6.19	44.82	6.05	43.54	5.94	42.41	5.82
	41	37	50.31	6.36	49.01	6.24	48.01	6.10	46.68	6.00	45.51	5.88
	47	43	53.10	6.41	51.51	6.29	50.31	6.16	49.11	6.09	47.91	6.00
	50	47	48.83	6.02	47.58	5.91	46.73	5.79	45.39	5.66	44.13	5.62
	59	50	43.84	5.61	42.71	5.53	41.96	5.40	40.75	5.27	39.62	5.24
	68	59	38.74	5.16	37.74	5.06	37.07	4.95	36.01	4.85	35.01	4.79
75	65	27.94	3.84	27.22	3.78	26.74	3.70	25.97	3.61	25.25	3.57	
07 + 07 + 12 + 24	-5	-7	29.16	5.51	28.40	5.40	27.71	5.32	27.15	5.18	26.31	5.08
	5	3	35.15	5.78	34.30	5.68	33.60	5.57	33.19	5.46	32.40	5.34
	14	12	41.16	5.99	40.14	5.88	39.20	5.77	38.18	5.64	37.12	5.53
	23	19	44.40	6.23	43.31	6.11	42.22	5.98	41.12	5.87	40.03	5.80
	32	28	47.50	6.38	46.27	6.26	45.30	6.12	43.99	6.00	42.85	5.88
	41	37	50.99	6.45	49.67	6.33	48.66	6.18	47.31	6.08	46.12	5.96
	47	43	53.97	6.52	52.35	6.39	51.13	6.26	49.92	6.18	48.70	6.10
	50	47	49.63	6.12	48.36	6.00	47.50	5.88	46.13	5.75	44.86	5.71
	59	50	44.56	5.70	43.41	5.62	42.64	5.49	41.41	5.36	40.27	5.32
	68	59	39.37	5.25	38.36	5.14	37.68	5.03	36.60	4.92	35.59	4.87
75	65	28.40	3.91	27.67	3.84	27.18	3.76	26.40	3.67	25.67	3.63	
07 + 09 + 09 + 09	-5	-7	29.16	5.51	28.40	5.40	27.71	5.32	27.15	5.18	26.31	5.08
	5	3	35.15	5.78	34.30	5.68	33.60	5.57	33.19	5.46	32.40	5.34
	14	12	39.59	5.76	38.60	5.65	37.70	5.55	36.72	5.43	35.70	5.32
	23	19	41.13	5.77	40.12	5.66	39.11	5.54	38.10	5.43	37.09	5.37
	32	28	42.45	5.70	41.36	5.59	40.48	5.47	39.32	5.36	38.30	5.26
	41	37	44.03	5.57	42.89	5.46	42.01	5.34	40.85	5.25	39.82	5.15
	47	43	45.07	5.44	43.72	5.34	42.70	5.23	41.69	5.17	40.67	5.09
	50	47	41.45	5.11	40.38	5.01	39.67	4.91	38.52	4.80	37.46	4.77
	59	50	37.21	4.76	36.26	4.69	35.61	4.59	34.59	4.48	33.63	4.44
	68	59	32.88	4.38	32.04	4.29	31.47	4.20	30.56	4.11	29.72	4.07
75	65	23.72	3.26	23.11	3.21	22.70	3.14	22.04	3.07	21.44	3.03	
07 + 09 + 09 + 12	-5	-7	29.16	5.51	28.40	5.40	27.71	5.32	27.15	5.18	26.31	5.08
	5	3	35.15	5.78	34.30	5.68	33.60	5.57	33.19	5.46	32.40	5.34
	14	12	40.10	5.84	39.10	5.73	38.19	5.62	37.19	5.50	36.16	5.39
	23	19	42.20	5.92	41.16	5.81	40.12	5.69	39.09	5.58	38.05	5.51
	32	28	44.09	5.92	42.96	5.81	42.05	5.68	40.84	5.57	39.78	5.46
	41	37	46.30	5.86	45.10	5.74	44.18	5.61	42.95	5.52	41.88	5.42
	47	43	47.98	5.79	46.53	5.68	45.45	5.56	44.37	5.50	43.29	5.42
	50	47	44.11	5.44	42.98	5.34	42.22	5.23	41.00	5.11	39.87	5.07
	59	50	39.60	5.07	38.59	4.99	37.91	4.88	36.81	4.76	35.80	4.73
	68	59	35.00	4.66	34.10	4.57	33.50	4.47	32.53	4.38	31.63	4.33
75	65	25.24	3.47	24.60	3.41	24.16	3.35	23.46	3.26	22.82	3.22	

OUTDOOR UNIT
WHP18-42M

OUTDOOR UNIT
WHP18-42M

Indoor unit connecting capacity	Outdoor temperature		Indoor temperature									
			60 °FDB		65 °FDB		70 °FDB		75 °FDB		78 °FDB	
			TC	IP	TC	IP	TC	IP	TC	IP	TC	IP
kBtu/h	°FDB	°FWB	kBtu/h	kW	kBtu/h	kW	kBtu/h	kW	kBtu/h	kW	kBtu/h	kW
07 + 09 + 09 + 18	-5	-7	29.16	5.51	28.40	5.40	27.71	5.32	27.15	5.18	26.31	5.08
	5	3	35.15	5.78	34.30	5.68	33.60	5.57	33.19	5.46	32.40	5.34
	14	12	40.98	5.96	39.96	5.85	39.02	5.74	38.01	5.62	36.96	5.51
	23	19	44.03	6.18	42.94	6.06	41.86	5.93	40.78	5.82	39.70	5.75
	32	28	46.92	6.30	45.71	6.18	44.75	6.04	43.46	5.93	42.33	5.81
	41	37	50.20	6.35	48.90	6.23	47.90	6.09	46.57	5.98	45.41	5.87
	47	43	52.96	6.39	51.37	6.27	50.17	6.14	48.98	6.07	47.78	5.98
	50	47	48.70	6.01	47.45	5.89	46.61	5.77	45.26	5.64	44.01	5.60
	59	50	43.72	5.59	42.60	5.51	41.84	5.39	40.64	5.26	39.51	5.22
	68	59	38.63	5.15	37.64	5.05	36.97	4.93	35.91	4.83	34.92	4.78
75	65	27.86	3.83	27.15	3.77	26.67	3.69	25.90	3.60	25.19	3.56	
07 + 09 + 09 + 24	-5	-7	29.16	5.51	28.40	5.40	27.71	5.32	27.15	5.18	26.31	5.08
	5	3	35.15	5.78	34.30	5.68	33.60	5.57	33.19	5.46	32.40	5.34
	14	12	41.14	5.99	40.11	5.88	39.17	5.76	38.15	5.64	37.10	5.53
	23	19	44.35	6.22	43.26	6.11	42.16	5.97	41.07	5.86	39.98	5.79
	32	28	47.41	6.37	46.19	6.25	45.22	6.11	43.92	5.99	42.78	5.87
	41	37	50.88	6.44	49.56	6.31	48.55	6.17	47.20	6.06	46.02	5.95
	47	43	53.83	6.50	52.21	6.37	51.00	6.24	49.78	6.17	48.57	6.08
	50	47	49.50	6.11	48.23	5.99	47.37	5.87	46.01	5.73	44.74	5.69
	59	50	44.44	5.69	43.30	5.60	42.53	5.48	41.30	5.35	40.16	5.31
	68	59	39.27	5.23	38.26	5.13	37.58	5.02	36.50	4.91	35.49	4.86
75	65	28.32	3.90	27.60	3.83	27.11	3.75	26.33	3.66	25.60	3.62	
07 + 09 + 12 + 12	-5	-7	29.16	5.51	28.40	5.40	27.71	5.32	27.15	5.18	26.31	5.08
	5	3	35.15	5.78	34.30	5.68	33.60	5.57	33.19	5.46	32.40	5.34
	14	12	40.62	5.91	39.60	5.80	38.67	5.69	37.67	5.57	36.63	5.46
	23	19	43.26	6.07	42.20	5.96	41.14	5.83	40.07	5.72	39.01	5.65
	32	28	45.74	6.14	44.56	6.03	43.62	5.89	42.37	5.78	41.27	5.67
	41	37	48.57	6.14	47.31	6.03	46.35	5.89	45.06	5.79	43.93	5.68
	47	43	50.88	6.14	49.35	6.02	48.20	5.90	47.05	5.83	45.91	5.75
	50	47	46.78	5.77	45.58	5.66	44.78	5.54	43.48	5.42	42.28	5.38
	59	50	42.00	5.37	40.92	5.29	40.20	5.18	39.04	5.05	37.96	5.02
	68	59	37.11	4.95	36.16	4.85	35.52	4.74	34.50	4.64	33.55	4.59
75	65	26.77	3.68	26.08	3.62	25.62	3.55	24.88	3.46	24.20	3.42	
07 + 09 + 12 + 18	-5	-7	29.16	5.51	28.40	5.40	27.71	5.32	27.15	5.18	26.31	5.08
	5	3	35.15	5.78	34.30	5.68	33.60	5.57	33.19	5.46	32.40	5.34
	14	12	41.06	5.97	40.04	5.86	39.10	5.75	38.08	5.63	37.03	5.52
	23	19	44.19	6.20	43.10	6.08	42.01	5.95	40.93	5.84	39.84	5.77
	32	28	47.17	6.33	45.95	6.22	44.98	6.08	43.69	5.96	42.55	5.84
	41	37	50.54	6.39	49.23	6.27	48.23	6.13	46.89	6.02	45.71	5.91
	47	43	53.39	6.45	51.79	6.32	50.58	6.19	49.38	6.12	48.17	6.03
	50	47	49.10	6.06	47.84	5.94	46.99	5.82	45.63	5.69	44.38	5.65
	59	50	44.08	5.64	42.95	5.56	42.18	5.43	40.97	5.30	39.84	5.27
	68	59	38.95	5.19	37.95	5.09	37.28	4.98	36.20	4.87	35.20	4.82
75	65	28.09	3.86	27.37	3.80	26.89	3.72	26.11	3.63	25.39	3.59	
07 + 09 + 12 + 24	-5	-7	29.16	5.51	28.40	5.40	27.71	5.32	27.15	5.18	26.31	5.08
	5	3	35.15	5.78	34.30	5.68	33.60	5.57	33.19	5.46	32.40	5.34
	14	12	41.21	6.00	40.19	5.89	39.24	5.78	38.22	5.65	37.17	5.54
	23	19	44.51	6.24	43.41	6.13	42.32	6.00	41.22	5.88	40.13	5.81
	32	28	47.66	6.40	46.43	6.28	45.45	6.14	44.14	6.02	43.00	5.90
	41	37	51.22	6.48	49.89	6.35	48.88	6.21	47.52	6.10	46.33	5.99
	47	43	54.26	6.55	52.63	6.42	51.41	6.29	50.18	6.22	48.96	6.13
	50	47	49.90	6.16	48.62	6.03	47.75	5.91	46.38	5.78	45.10	5.74
	59	50	44.80	5.73	43.65	5.65	42.87	5.52	41.64	5.39	40.49	5.35
	68	59	39.58	5.27	38.57	5.17	37.88	5.06	36.79	4.95	35.78	4.90
75	65	28.55	3.93	27.82	3.86	27.33	3.78	26.54	3.69	25.81	3.65	
07 + 12 + 12 + 12	-5	-7	29.16	5.51	28.40	5.40	27.71	5.32	27.15	5.18	26.31	5.08
	5	3	35.15	5.78	34.30	5.68	33.60	5.57	33.19	5.46	32.40	5.34
	14	12	40.98	5.96	39.96	5.85	39.02	5.74	38.01	5.62	36.96	5.51
	23	19	44.03	6.18	42.94	6.06	41.86	5.93	40.78	5.82	39.70	5.75
	32	28	46.92	6.30	45.71	6.18	44.75	6.04	43.46	5.93	42.33	5.81
	41	37	50.20	6.35	48.90	6.23	47.90	6.09	46.57	5.98	45.41	5.87
	47	43	52.96	6.39	51.37	6.27	50.17	6.14	48.98	6.07	47.78	5.98
	50	47	48.70	6.01	47.45	5.89	46.61	5.77	45.26	5.64	44.01	5.60
	59	50	43.72	5.59	42.60	5.51	41.84	5.39	40.64	5.26	39.51	5.22
	68	59	38.63	5.15	37.64	5.05	36.97	4.93	35.91	4.83	34.92	4.78
75	65	27.86	3.83	27.15	3.77	26.67	3.69	25.90	3.60	25.19	3.56	
07 + 12 + 12 + 18	-5	-7	29.16	5.51	28.40	5.40	27.71	5.32	27.15	5.18	26.31	5.08
	5	3	35.15	5.78	34.30	5.68	33.60	5.57	33.19	5.46	32.40	5.34
	14	12	41.14	5.99	40.11	5.88	39.17	5.76	38.15	5.64	37.10	5.53
	23	19	44.35	6.22	43.26	6.11	42.16	5.97	41.07	5.86	39.98	5.79
	32	28	47.41	6.37	46.19	6.25	45.22	6.11	43.92	5.99	42.78	5.87
	41	37	50.88	6.44	49.56	6.31	48.55	6.17	47.20	6.06	46.02	5.95
	47	43	53.83	6.50	52.21	6.37	51.00	6.24	49.78	6.17	48.57	6.08
	50	47	49.50	6.11	48.23	5.99	47.37	5.87	46.01	5.73	44.74	5.69
	59	50	44.44	5.69	43.30	5.60	42.53	5.48	41.30	5.35	40.16	5.31
	68	59	39.27	5.23	38.26	5.13	37.58	5.02	36.50	4.91	35.49	4.86
75	65	28.32	3.90	27.60	3.83	27.11	3.75	26.33	3.66	25.60	3.62	
09 + 09 + 09 + 09	-5	-7	29.16	5.51	28.40	5.40	27.71	5.32	27.15	5.18	26.31	5.08
	5	3	35.15	5.78	34.30	5.68	33.60	5.57	33.19	5.46	32.40	5.34
	14	12	39.93	5.81	38.94	5.70	38.02	5.60	37.03	5.47	36.01	5.36
	23	19	41.84	5.87	40.81	5.76	39.79	5.64	38.76	5.53	37.73	5.46
	32	28	43.55	5.85	42.43	5.74	41.53	5.61	40.33	5.50	39.29	5.39
	41	37	45.54	5.76	44.36	5.65	43.46	5.52	42.25	5.43	41.19	5.33
	47	43	47.01	5.68	45.60	5.56	44.54	5.45	43.47	5.39	42.41	5.31
	50	47	43.23	5.33	42.12	5.23	41.37	5.12	40.18	5.01	39.07	4.97
	59	50	38.81	4.97	37.81	4.89	37.14	4.78	36.07	4.67	35.08	4.64
	68	59	34.29	4.57	33.41	4.48	32.82	4.38	31.87	4.29	31.00	4.24
75	65	24.73	3.40	24.10	3.35	23.67	3.28	22.99	3.20	22.36	3.16	

OUTDOOR UNIT
WHP18-42M

OUTDOOR UNIT
WHP18-42M

Indoor unit connecting capacity	Outdoor temperature		Indoor temperature									
			60 °FDB		65 °FDB		70 °FDB		75 °FDB		78 °FDB	
			TC	IP	TC	IP	TC	IP	TC	IP	TC	IP
kBtu/h	°FDB	°FWB	kBtu/h	kW	kBtu/h	kW	kBtu/h	kW	kBtu/h	kW	kBtu/h	kW
09 + 09 + 09 + 12	-5	-7	29.16	5.51	28.40	5.40	27.71	5.32	27.15	5.18	26.31	5.08
	5	3	35.15	5.78	34.30	5.68	33.60	5.57	33.19	5.46	32.40	5.34
	14	12	40.45	5.89	39.44	5.78	38.51	5.67	37.51	5.54	36.47	5.43
	23	19	42.91	6.02	41.85	5.91	40.80	5.78	39.74	5.67	38.69	5.60
	32	28	45.19	6.07	44.03	5.96	43.10	5.82	41.86	5.71	40.77	5.60
	41	37	47.81	6.05	46.58	5.93	45.62	5.80	44.36	5.70	43.25	5.59
	47	43	49.91	6.03	48.41	5.91	47.28	5.79	46.16	5.72	45.03	5.64
	50	47	45.89	5.66	44.72	5.55	43.92	5.44	42.66	5.32	41.48	5.28
	59	50	41.20	5.27	40.15	5.19	39.43	5.08	38.30	4.96	37.24	4.92
	68	59	36.41	4.85	35.47	4.76	34.85	4.65	33.84	4.55	32.91	4.51
75	65	26.26	3.61	25.59	3.55	25.13	3.48	24.41	3.40	23.74	3.35	
09 + 09 + 09 + 18	-5	-7	29.16	5.51	28.40	5.40	27.71	5.32	27.15	5.18	26.31	5.08
	5	3	35.15	5.78	34.30	5.68	33.60	5.57	33.19	5.46	32.40	5.34
	14	12	41.47	6.03	40.44	5.92	39.49	5.81	38.46	5.68	37.40	5.57
	23	19	45.04	6.32	43.93	6.20	42.82	6.07	41.72	5.95	40.61	5.88
	32	28	48.48	6.51	47.24	6.39	46.24	6.25	44.91	6.13	43.74	6.00
	41	37	52.35	6.62	51.00	6.50	49.96	6.35	48.57	6.24	47.36	6.12
	47	43	55.71	6.73	54.04	6.59	52.78	6.46	51.53	6.38	50.27	6.29
	50	47	51.23	6.32	49.92	6.20	49.03	6.07	47.62	5.93	46.30	5.89
	59	50	45.99	5.89	44.81	5.80	44.02	5.67	42.75	5.53	41.57	5.49
	68	59	40.64	5.42	39.60	5.31	38.90	5.19	37.78	5.08	36.73	5.03
75	65	29.31	4.03	28.56	3.97	28.06	3.88	27.25	3.79	26.50	3.74	
09 + 09 + 09 + 24	-5	-7	29.16	5.51	28.40	5.40	27.71	5.32	27.15	5.18	26.31	5.08
	5	3	35.15	5.78	34.30	5.68	33.60	5.57	33.19	5.46	32.40	5.34
	14	12	41.19	5.99	40.16	5.88	39.22	5.77	38.20	5.64	37.14	5.53
	23	19	44.45	6.24	43.36	6.12	42.27	5.99	41.17	5.87	40.08	5.81
	32	28	47.58	6.39	46.35	6.27	45.37	6.13	44.07	6.01	42.93	5.89
	41	37	51.10	6.47	49.78	6.34	48.77	6.20	47.41	6.09	46.23	5.98
	47	43	54.12	6.53	52.49	6.41	51.27	6.28	50.05	6.20	48.83	6.11
	50	47	49.76	6.14	48.49	6.02	47.63	5.90	46.25	5.76	44.98	5.72
	59	50	44.68	5.72	43.53	5.63	42.76	5.51	41.53	5.37	40.38	5.34
	68	59	39.48	5.26	38.47	5.16	37.78	5.04	36.69	4.94	35.68	4.89
75	65	28.47	3.92	27.74	3.85	27.25	3.77	26.47	3.68	25.74	3.64	
09 + 09 + 12 + 12	-5	-7	29.16	5.51	28.40	5.40	27.71	5.32	27.15	5.18	26.31	5.08
	5	3	35.15	5.78	34.30	5.68	33.60	5.57	33.19	5.46	32.40	5.34
	14	12	40.96	5.96	39.94	5.85	39.00	5.74	37.99	5.61	36.93	5.50
	23	19	43.97	6.17	42.89	6.05	41.81	5.92	40.73	5.81	39.65	5.74
	32	28	46.84	6.29	45.63	6.17	44.67	6.03	43.38	5.92	42.26	5.80
	41	37	50.08	6.34	48.79	6.21	47.79	6.07	46.46	5.97	45.30	5.86
	47	43	52.81	6.38	51.22	6.25	50.03	6.13	48.84	6.05	47.65	5.97
	50	47	48.56	5.99	47.32	5.87	46.48	5.75	45.14	5.63	43.89	5.59
	59	50	43.60	5.58	42.48	5.50	41.73	5.37	40.52	5.25	39.41	5.21
	68	59	38.53	5.13	37.54	5.03	36.87	4.92	35.81	4.82	34.82	4.77
75	65	27.79	3.82	27.08	3.76	26.60	3.68	25.83	3.59	25.12	3.55	
09 + 09 + 12 + 18	-5	-7	29.16	5.51	28.40	5.40	27.71	5.32	27.15	5.18	26.31	5.08
	5	3	35.15	5.78	34.30	5.68	33.60	5.57	33.19	5.46	32.40	5.34
	14	12	41.11	5.98	40.09	5.87	39.15	5.76	38.13	5.63	37.07	5.52
	23	19	44.29	6.21	43.20	6.10	42.11	5.97	41.03	5.85	39.94	5.78
	32	28	47.33	6.36	46.11	6.24	45.14	6.10	43.84	5.98	42.70	5.86
	41	37	50.76	6.42	49.45	6.30	48.44	6.15	47.10	6.05	45.92	5.94
	47	43	53.68	6.48	52.07	6.35	50.86	6.23	49.65	6.15	48.44	6.06
	50	47	49.36	6.09	48.10	5.97	47.24	5.85	45.88	5.72	44.62	5.68
	59	50	44.32	5.67	43.18	5.59	42.41	5.46	41.19	5.33	40.06	5.29
	68	59	39.16	5.22	38.16	5.11	37.48	5.00	36.40	4.90	35.40	4.85
75	65	28.25	3.89	27.52	3.82	27.03	3.74	26.25	3.65	25.53	3.61	
09 + 09 + 12 + 24	-5	-7	29.16	5.51	28.40	5.40	27.71	5.32	27.15	5.18	26.31	5.08
	5	3	35.15	5.78	34.30	5.68	33.60	5.57	33.19	5.46	32.40	5.34
	14	12	41.27	6.00	40.24	5.89	39.29	5.78	38.27	5.66	37.21	5.54
	23	19	44.61	6.26	43.52	6.14	42.42	6.01	41.32	5.89	40.22	5.83
	32	28	47.82	6.42	46.59	6.30	45.61	6.16	44.30	6.04	43.15	5.92
	41	37	51.44	6.51	50.12	6.38	49.09	6.24	47.73	6.13	46.54	6.02
	47	43	54.55	6.59	52.91	6.46	51.68	6.33	50.45	6.25	49.22	6.16
	50	47	50.16	6.19	48.88	6.07	48.01	5.94	46.63	5.81	45.34	5.77
	59	50	45.03	5.76	43.88	5.68	43.10	5.55	41.86	5.42	40.71	5.38
	68	59	39.80	5.30	38.77	5.20	38.09	5.08	36.99	4.98	35.97	4.93
75	65	28.70	3.95	27.97	3.88	27.47	3.80	26.68	3.71	25.94	3.67	
09 + 12 + 12 + 12	-5	-7	29.16	5.51	28.40	5.40	27.71	5.32	27.15	5.18	26.31	5.08
	5	3	35.15	5.78	34.30	5.68	33.60	5.57	33.19	5.46	32.40	5.34
	14	12	41.47	6.03	40.44	5.92	39.49	5.81	38.46	5.68	37.40	5.57
	23	19	45.04	6.32	43.93	6.20	42.82	6.07	41.72	5.95	40.61	5.88
	32	28	48.48	6.51	47.24	6.39	46.24	6.25	44.91	6.13	43.74	6.00
	41	37	52.35	6.62	51.00	6.50	49.96	6.35	48.57	6.24	47.36	6.12
	47	43	55.71	6.73	54.04	6.59	52.78	6.46	51.53	6.38	50.27	6.29
	50	47	51.23	6.32	49.92	6.20	49.03	6.07	47.62	5.93	46.30	5.89
	59	50	45.99	5.89	44.81	5.80	44.02	5.67	42.75	5.53	41.57	5.49
	68	59	40.64	5.42	39.60	5.31	38.90	5.19	37.78	5.08	36.73	5.03
75	65	29.31	4.03	28.56	3.97	28.06	3.88	27.25	3.79	26.50	3.74	
09 + 12 + 12 + 18	-5	-7	29.16	5.51	28.40	5.40	27.71	5.32	27.15	5.18	26.31	5.08
	5	3	35.15	5.78	34.30	5.68	33.60	5.57	33.19	5.46	32.40	5.34
	14	12	41.19	5.99	40.16	5.88	39.22	5.77	38.20	5.64	37.14	5.53
	23	19	44.45	6.24	43.36	6.12	42.27	5.99	41.17	5.87	40.08	5.81
	32	28	47.58	6.39	46.35	6.27	45.37	6.13	44.07	6.01	42.93	5.89
	41	37	51.10	6.47	49.78	6.34	48.77	6.20	47.41	6.09	46.23	5.98
	47	43	54.12	6.53	52.49	6.41	51.27	6.28	50.05	6.20	48.83	6.11
	50	47	49.76	6.14	48.49	6.02	47.63	5.90	46.25	5.76	44.98	5.72
	59	50	44.68	5.72	43.53	5.63	42.76	5.51	41.53	5.37	40.38	5.34
	68	59	39.48	5.26	38.47	5.16	37.78	5.04	36.69	4.94	35.68	4.89
75	65	28.47	3.92	27.74	3.85	27.25	3.77	26.47	3.68	25.74	3.64	

Indoor unit connecting capacity	Outdoor temperature		Indoor temperature									
			60 °FDB		65 °FDB		70 °FDB		75 °FDB		78 °FDB	
			TC	IP	TC	IP	TC	IP	TC	IP	TC	IP
kBtu/h	°FDB	°FWB	kBtu/h	kW	kBtu/h	kW	kBtu/h	kW	kBtu/h	kW	kBtu/h	kW
12 + 12 + 12 + 12	-5	-7	29.16	5.51	28.40	5.40	27.71	5.32	27.15	5.18	26.31	5.08
	5	3	35.15	5.78	34.30	5.68	33.60	5.57	33.19	5.46	32.40	5.34
	14	12	41.11	5.98	40.09	5.87	39.15	5.76	38.13	5.63	37.07	5.52
	23	19	44.29	6.21	43.20	6.10	42.11	5.97	41.03	5.85	39.94	5.78
	32	28	47.33	6.36	46.11	6.24	45.14	6.10	43.84	5.98	42.70	5.86
	41	37	50.76	6.42	49.45	6.30	48.44	6.15	47.10	6.05	45.92	5.94
	47	43	53.68	6.48	52.07	6.35	50.86	6.23	49.65	6.15	48.44	6.06
	50	47	49.36	6.09	48.10	5.97	47.24	5.85	45.88	5.72	44.62	5.68
	59	50	44.32	5.67	43.18	5.59	42.41	5.46	41.19	5.33	40.06	5.29
	68	59	39.16	5.22	38.16	5.11	37.48	5.00	36.40	4.90	35.40	4.85
75	65	28.25	3.89	27.52	3.82	27.03	3.74	26.25	3.65	25.53	3.61	
12 + 12 + 12 + 18	-5	-7	29.16	5.51	28.40	5.40	27.71	5.32	27.15	5.18	26.31	5.08
	5	3	35.15	5.78	34.30	5.68	33.60	5.57	33.19	5.46	32.40	5.34
	14	12	41.27	6.00	40.24	5.89	39.29	5.78	38.27	5.66	37.21	5.54
	23	19	44.61	6.26	43.52	6.14	42.42	6.01	41.32	5.89	40.22	5.83
	32	28	47.82	6.42	46.59	6.30	45.61	6.16	44.30	6.04	43.15	5.92
	41	37	51.44	6.51	50.12	6.38	49.09	6.24	47.73	6.13	46.54	6.02
	47	43	54.55	6.59	52.91	6.46	51.68	6.33	50.45	6.25	49.22	6.16
	50	47	50.16	6.19	48.88	6.07	48.01	5.94	46.63	5.81	45.34	5.77
	59	50	45.03	5.76	43.88	5.68	43.10	5.55	41.86	5.42	40.71	5.38
	68	59	39.80	5.30	38.77	5.20	38.09	5.08	36.99	4.98	35.97	4.93
75	65	28.70	3.95	27.97	3.88	27.47	3.80	26.68	3.71	25.94	3.67	
07 + 07 + 07 + 07 + 07	-5	-7	29.16	5.51	28.40	5.40	27.71	5.32	27.15	5.18	26.31	5.08
	5	3	35.15	5.78	34.30	5.68	33.60	5.57	33.19	5.46	32.40	5.34
	14	12	39.76	5.79	38.77	5.68	37.86	5.57	36.87	5.45	35.85	5.34
	23	19	41.49	5.82	40.47	5.71	39.45	5.59	38.43	5.48	37.41	5.42
	32	28	43.00	5.77	41.89	5.67	41.01	5.54	39.83	5.43	38.79	5.33
	41	37	44.78	5.67	43.62	5.56	42.73	5.43	41.55	5.34	40.51	5.24
	47	43	46.04	5.56	44.66	5.45	43.62	5.34	42.58	5.28	41.54	5.20
	50	47	42.34	5.22	41.25	5.12	40.52	5.02	39.35	4.90	38.27	4.87
	59	50	38.01	4.86	37.03	4.79	36.38	4.69	35.33	4.57	34.35	4.54
	68	59	33.59	4.48	32.72	4.39	32.14	4.29	31.22	4.20	30.36	4.16
75	65	24.22	3.33	23.60	3.28	23.19	3.21	22.52	3.13	21.90	3.09	
07 + 07 + 07 + 07 + 09	-5	-7	29.16	5.51	28.40	5.40	27.71	5.32	27.15	5.18	26.31	5.08
	5	3	35.15	5.78	34.30	5.68	33.60	5.57	33.19	5.46	32.40	5.34
	14	12	40.10	5.84	39.10	5.73	38.19	5.62	37.19	5.50	36.16	5.39
	23	19	42.20	5.92	41.16	5.81	40.12	5.69	39.09	5.58	38.05	5.51
	32	28	44.09	5.92	42.96	5.81	42.05	5.68	40.84	5.57	39.78	5.46
	41	37	46.30	5.86	45.10	5.74	44.18	5.61	42.95	5.52	41.88	5.42
	47	43	47.98	5.79	46.53	5.68	45.45	5.56	44.37	5.50	43.29	5.42
	50	47	44.11	5.44	42.98	5.34	42.22	5.23	41.00	5.11	39.87	5.07
	59	50	39.60	5.07	38.59	4.99	37.91	4.88	36.81	4.76	35.80	4.73
	68	59	35.00	4.66	34.10	4.57	33.50	4.47	32.53	4.38	31.63	4.33
75	65	25.24	3.47	24.60	3.41	24.16	3.35	23.46	3.26	22.82	3.22	
07 + 07 + 07 + 07 + 12	-5	-7	29.16	5.51	28.40	5.40	27.71	5.32	27.15	5.18	26.31	5.08
	5	3	35.15	5.78	34.30	5.68	33.60	5.57	33.19	5.46	32.40	5.34
	14	12	40.62	5.91	39.60	5.80	38.67	5.69	37.67	5.57	36.63	5.46
	23	19	43.26	6.07	42.20	5.96	41.14	5.83	40.07	5.72	39.01	5.65
	32	28	45.74	6.14	44.56	6.03	43.62	5.89	42.37	5.78	41.27	5.67
	41	37	48.57	6.14	47.31	6.03	46.35	5.89	45.06	5.79	43.93	5.68
	47	43	50.88	6.14	49.35	6.02	48.20	5.90	47.05	5.83	45.91	5.75
	50	47	46.78	5.77	45.58	5.66	44.78	5.54	43.48	5.42	42.28	5.38
	59	50	42.00	5.37	40.92	5.29	40.20	5.18	39.04	5.05	37.96	5.02
	68	59	37.11	4.95	36.16	4.85	35.52	4.74	34.50	4.64	33.55	4.59
75	65	26.77	3.68	26.08	3.62	25.62	3.55	24.88	3.46	24.20	3.42	
07 + 07 + 07 + 07 + 18	-5	-7	29.16	5.51	28.40	5.40	27.71	5.32	27.15	5.18	26.31	5.08
	5	3	35.15	5.78	34.30	5.68	33.60	5.57	33.19	5.46	32.40	5.34
	14	12	41.06	5.97	40.04	5.86	39.10	5.75	38.08	5.63	37.03	5.52
	23	19	44.19	6.20	43.10	6.08	42.01	5.95	40.93	5.84	39.84	5.77
	32	28	47.17	6.33	45.95	6.22	44.98	6.08	43.69	5.96	42.55	5.84
	41	37	50.54	6.39	49.23	6.27	48.23	6.13	46.89	6.02	45.71	5.91
	47	43	53.39	6.45	51.79	6.32	50.58	6.19	49.38	6.12	48.17	6.03
	50	47	49.10	6.06	47.84	5.94	46.99	5.82	45.63	5.69	44.38	5.65
	59	50	44.08	5.64	42.95	5.56	42.18	5.43	40.97	5.30	39.84	5.27
	68	59	38.95	5.19	37.95	5.09	37.28	4.98	36.20	4.87	35.20	4.82
75	65	28.09	3.86	27.37	3.80	26.89	3.72	26.11	3.63	25.39	3.59	
07 + 07 + 07 + 07 + 24	-5	-7	28.86	5.45	28.12	5.35	27.43	5.26	26.88	5.13	26.05	5.03
	5	3	34.80	5.72	33.96	5.62	33.26	5.51	32.86	5.41	32.07	5.29
	14	12	40.85	5.94	39.84	5.83	38.90	5.72	37.89	5.60	36.84	5.49
	23	19	44.17	6.20	43.08	6.08	41.99	5.95	40.91	5.84	39.82	5.77
	32	28	47.35	6.36	46.13	6.24	45.15	6.10	43.85	5.98	42.72	5.86
	41	37	50.93	6.44	49.61	6.32	48.60	6.17	47.25	6.07	46.07	5.96
	47	43	54.01	6.52	52.38	6.39	51.17	6.26	49.95	6.19	48.73	6.10
	50	47	49.66	6.13	48.39	6.01	47.53	5.89	46.16	5.75	44.89	5.71
	59	50	44.58	5.70	43.44	5.62	42.67	5.50	41.44	5.36	40.30	5.33
	68	59	39.40	5.25	38.39	5.15	37.71	5.03	36.62	4.93	35.61	4.88
75	65	28.42	3.91	27.69	3.84	27.20	3.77	26.41	3.67	25.69	3.63	
07 + 07 + 07 + 09 + 09	-5	-7	29.16	5.51	28.40	5.40	27.71	5.32	27.15	5.18	26.31	5.08
	5	3	35.15	5.78	34.30	5.68	33.60	5.57	33.19	5.46	32.40	5.34
	14	12	40.45	5.89	39.44	5.78	38.51	5.67	37.51	5.54	36.47	5.43
	23	19	42.91	6.02	41.85	5.91	40.80	5.78	39.74	5.67	38.69	5.60
	32	28	45.19	6.07	44.03	5.96	43.10	5.82	41.86	5.71	40.77	5.60
	41	37	47.81	6.05	46.58	5.93	45.62	5.80	44.36	5.70	43.25	5.59
	47	43	49.91	6.03	48.41	5.91	47.28	5.79	46.16	5.72	45.03	5.64
	50	47	45.89	5.66	44.72	5.55	43.92	5.44	42.66	5.32	41.48	5.28
	59	50	41.20	5.27	40.15	5.19	39.43	5.08	38.30	4.96	37.24	4.92
	68	59	36.41	4.85	35.47	4.76	34.85	4.65	33.84	4.55	32.91	4.51
75	65	26.26	3.61	25.59	3.55	25.13	3.48	24.41	3.40	23.74	3.35	

OUTDOOR UNIT
WHP18-42M

OUTDOOR UNIT
WHP18-42M

Indoor unit connecting capacity	Outdoor temperature		Indoor temperature									
			60 °FDB		65 °FDB		70 °FDB		75 °FDB		78 °FDB	
			TC	IP	TC	IP	TC	IP	TC	IP	TC	IP
kBtu/h	°FDB	°FWB	kBtu/h	kW	kBtu/h	kW	kBtu/h	kW	kBtu/h	kW	kBtu/h	kW
07 + 07 + 07 + 09 + 12	-5	-7	29.16	5.51	28.40	5.40	27.71	5.32	27.15	5.18	26.31	5.08
	5	3	35.15	5.78	34.30	5.68	33.60	5.57	33.19	5.46	32.40	5.34
	14	12	40.96	5.96	39.94	5.85	39.00	5.74	37.99	5.61	36.93	5.50
	23	19	43.97	6.17	42.89	6.05	41.81	5.92	40.73	5.81	39.65	5.74
	32	28	46.84	6.29	45.63	6.17	44.67	6.03	43.38	5.92	42.26	5.80
	41	37	50.08	6.34	48.79	6.21	47.79	6.07	46.46	5.97	45.30	5.86
	47	43	52.81	6.38	51.22	6.25	50.03	6.13	48.84	6.05	47.65	5.97
	50	47	48.56	5.99	47.32	5.87	46.48	5.75	45.14	5.63	43.89	5.59
	59	50	43.60	5.58	42.48	5.50	41.73	5.37	40.52	5.25	39.41	5.21
	68	59	38.53	5.13	37.54	5.03	36.87	4.92	35.81	4.82	34.82	4.77
75	65	27.79	3.82	27.08	3.76	26.60	3.68	25.83	3.59	25.12	3.55	
07 + 07 + 07 + 09 + 18	-5	-7	29.16	5.51	28.40	5.40	27.71	5.32	27.15	5.18	26.31	5.08
	5	3	35.15	5.78	34.30	5.68	33.60	5.57	33.19	5.46	32.40	5.34
	14	12	41.11	5.98	40.09	5.87	39.15	5.76	38.13	5.63	37.07	5.52
	23	19	44.29	6.21	43.20	6.10	42.11	5.97	41.03	5.85	39.94	5.78
	32	28	47.33	6.36	46.11	6.24	45.14	6.10	43.84	5.98	42.70	5.86
	41	37	50.76	6.42	49.45	6.30	48.44	6.15	47.10	6.05	45.92	5.94
	47	43	53.68	6.48	52.07	6.35	50.86	6.23	49.65	6.15	48.44	6.06
	50	47	49.36	6.09	48.10	5.97	47.24	5.85	45.88	5.72	44.62	5.68
	59	50	44.32	5.67	43.18	5.59	42.41	5.46	41.19	5.33	40.06	5.29
	68	59	39.16	5.22	38.16	5.11	37.48	5.00	36.40	4.90	35.40	4.85
75	65	28.25	3.89	27.52	3.82	27.03	3.74	26.25	3.65	25.53	3.61	
07 + 07 + 07 + 09 + 24	-5	-7	29.16	5.51	28.40	5.40	27.71	5.32	27.15	5.18	26.31	5.08
	5	3	35.15	5.78	34.30	5.68	33.60	5.57	33.19	5.46	32.40	5.34
	14	12	41.27	6.00	40.24	5.89	39.29	5.78	38.27	5.66	37.21	5.54
	23	19	44.61	6.26	43.52	6.14	42.42	6.01	41.32	5.89	40.22	5.83
	32	28	47.82	6.42	46.59	6.30	45.61	6.16	44.30	6.04	43.15	5.92
	41	37	51.44	6.51	50.12	6.38	49.09	6.24	47.73	6.13	46.54	6.02
	47	43	54.55	6.59	52.91	6.46	51.68	6.33	50.45	6.25	49.22	6.16
	50	47	50.16	6.19	48.88	6.07	48.01	5.94	46.63	5.81	45.34	5.77
	59	50	45.03	5.76	43.88	5.68	43.10	5.55	41.86	5.42	40.71	5.38
	68	59	39.80	5.30	38.77	5.20	38.09	5.08	36.99	4.98	35.97	4.93
75	65	28.70	3.95	27.97	3.88	27.47	3.80	26.68	3.71	25.94	3.67	
07 + 07 + 07 + 12 + 12	-5	-7	29.16	5.51	28.40	5.40	27.71	5.32	27.15	5.18	26.31	5.08
	5	3	35.15	5.78	34.30	5.68	33.60	5.57	33.19	5.46	32.40	5.34
	14	12	41.47	6.03	40.44	5.92	39.49	5.81	38.46	5.68	37.40	5.57
	23	19	45.04	6.32	43.93	6.20	42.82	6.07	41.72	5.95	40.61	5.88
	32	28	48.48	6.51	47.24	6.39	46.24	6.25	44.91	6.13	43.74	6.00
	41	37	52.35	6.62	51.00	6.50	49.96	6.35	48.57	6.24	47.36	6.12
	47	43	55.71	6.73	54.04	6.59	52.78	6.46	51.53	6.38	50.27	6.29
	50	47	51.23	6.32	49.92	6.20	49.03	6.07	47.62	5.93	46.30	5.89
	59	50	45.99	5.89	44.81	5.80	44.02	5.67	42.75	5.53	41.57	5.49
	68	59	40.64	5.42	39.60	5.31	38.90	5.19	37.78	5.08	36.73	5.03
75	65	29.31	4.03	28.56	3.97	28.06	3.88	27.25	3.79	26.50	3.74	
07 + 07 + 07 + 12 + 18	-5	-7	29.16	5.51	28.40	5.40	27.71	5.32	27.15	5.18	26.31	5.08
	5	3	35.15	5.78	34.30	5.68	33.60	5.57	33.19	5.46	32.40	5.34
	14	12	41.19	5.99	40.16	5.88	39.22	5.77	38.20	5.64	37.14	5.53
	23	19	44.45	6.24	43.36	6.12	42.27	5.99	41.17	5.87	40.08	5.81
	32	28	47.58	6.39	46.35	6.27	45.37	6.13	44.07	6.01	42.93	5.89
	41	37	51.10	6.47	49.78	6.34	48.77	6.20	47.41	6.09	46.23	5.98
	47	43	54.12	6.53	52.49	6.41	51.27	6.28	50.05	6.20	48.83	6.11
	50	47	49.76	6.14	48.49	6.02	47.63	5.90	46.25	5.76	44.98	5.72
	59	50	44.68	5.72	43.53	5.63	42.76	5.51	41.53	5.37	40.38	5.34
	68	59	39.48	5.26	38.47	5.16	37.78	5.04	36.69	4.94	35.68	4.89
75	65	28.47	3.92	27.74	3.85	27.25	3.77	26.47	3.68	25.74	3.64	
07 + 07 + 09 + 09 + 09	-5	-7	29.16	5.51	28.40	5.40	27.71	5.32	27.15	5.18	26.31	5.08
	5	3	35.15	5.78	34.30	5.68	33.60	5.57	33.19	5.46	32.40	5.34
	14	12	40.79	5.94	39.77	5.83	38.84	5.72	37.83	5.59	36.78	5.48
	23	19	43.62	6.12	42.55	6.01	41.47	5.88	40.40	5.76	39.33	5.70
	32	28	46.29	6.22	45.10	6.10	44.15	5.96	42.87	5.85	41.76	5.73
	41	37	49.32	6.24	48.05	6.12	47.07	5.98	45.76	5.88	44.62	5.77
	47	43	51.85	6.26	50.29	6.14	49.12	6.01	47.95	5.94	46.78	5.86
	50	47	47.67	5.88	46.45	5.77	45.63	5.65	44.31	5.52	43.09	5.48
	59	50	42.80	5.48	41.70	5.39	40.96	5.28	39.78	5.15	38.68	5.11
	68	59	37.82	5.04	36.85	4.94	36.20	4.83	35.15	4.73	34.18	4.68
75	65	27.28	3.75	26.58	3.69	26.11	3.62	25.36	3.53	24.66	3.48	
07 + 07 + 09 + 09 + 12	-5	-7	29.16	5.51	28.40	5.40	27.71	5.32	27.15	5.18	26.31	5.08
	5	3	35.15	5.78	34.30	5.68	33.60	5.57	33.19	5.46	32.40	5.34
	14	12	41.01	5.97	39.99	5.86	39.05	5.75	38.03	5.62	36.98	5.51
	23	19	44.08	6.18	43.00	6.07	41.91	5.94	40.83	5.82	39.74	5.76
	32	28	47.00	6.31	45.79	6.19	44.82	6.05	43.54	5.94	42.41	5.82
	41	37	50.31	6.36	49.01	6.24	48.01	6.10	46.68	6.00	45.51	5.88
	47	43	53.10	6.41	51.51	6.29	50.31	6.16	49.11	6.09	47.91	6.00
	50	47	48.83	6.02	47.58	5.91	46.73	5.79	45.39	5.66	44.13	5.62
	59	50	43.84	5.61	42.71	5.53	41.96	5.40	40.75	5.27	39.62	5.24
	68	59	38.74	5.16	37.74	5.06	37.07	4.95	36.01	4.85	35.01	4.79
75	65	27.94	3.84	27.22	3.78	26.74	3.70	25.97	3.61	25.25	3.57	
07 + 07 + 09 + 09 + 18	-5	-7	29.16	5.51	28.40	5.40	27.71	5.32	27.15	5.18	26.31	5.08
	5	3	35.15	5.78	34.30	5.68	33.60	5.57	33.19	5.46	32.40	5.34
	14	12	41.16	5.99	40.14	5.88	39.20	5.77	38.18	5.64	37.12	5.53
	23	19	44.40	6.23	43.31	6.11	42.22	5.98	41.12	5.87	40.03	5.80
	32	28	47.50	6.38	46.27	6.26	45.30	6.12	43.99	6.00	42.85	5.88
	41	37	50.99	6.45	49.67	6.33	48.66	6.18	47.31	6.08	46.12	5.96
	47	43	53.97	6.52	52.35	6.39	51.13	6.26	49.92	6.18	48.70	6.10
	50	47	49.63	6.12	48.36	6.00	47.50	5.88	46.13	5.75	44.86	5.71
	59	50	44.56	5.70	43.41	5.62	42.64	5.49	41.41	5.36	40.27	5.32
	68	59	39.37	5.25	38.36	5.14	37.68	5.03	36.60	4.92	35.59	4.87
75	65	28.40	3.91	27.67	3.84	27.18	3.76	26.40	3.67	25.67	3.63	

OUTDOOR UNIT
WHP18-42M

OUTDOOR UNIT
WHP18-42M

Indoor unit connecting capacity	Outdoor temperature		Indoor temperature									
			60 °FDB		65 °FDB		70 °FDB		75 °FDB		78 °FDB	
			TC	IP	TC	IP	TC	IP	TC	IP	TC	IP
kBtu/h	°FDB	°FWB	kBtu/h	kW	kBtu/h	kW	kBtu/h	kW	kBtu/h	kW	kBtu/h	kW
07 + 07 + 09 + 12 + 12	-5	-7	29.16	5.51	28.40	5.40	27.71	5.32	27.15	5.18	26.31	5.08
	5	3	35.15	5.78	34.30	5.68	33.60	5.57	33.19	5.46	32.40	5.34
	14	12	41.09	5.98	40.06	5.87	39.12	5.76	38.10	5.63	37.05	5.52
	23	19	44.24	6.21	43.15	6.09	42.06	5.96	40.98	5.85	39.89	5.78
	32	28	47.25	6.34	46.03	6.23	45.06	6.09	43.78	5.97	42.63	5.85
	41	37	50.65	6.41	49.34	6.28	48.33	6.14	46.99	6.04	45.82	5.92
	47	43	53.54	6.46	51.93	6.34	50.72	6.21	49.51	6.13	48.31	6.05
	50	47	49.23	6.07	47.97	5.95	47.12	5.83	45.76	5.70	44.50	5.66
	59	50	44.20	5.66	43.06	5.57	42.30	5.45	41.08	5.32	39.95	5.28
	68	59	39.05	5.20	38.05	5.10	37.38	4.99	36.30	4.89	35.30	4.83
75	65	28.17	3.88	27.45	3.81	26.96	3.73	26.18	3.64	25.46	3.60	
07 + 07 + 12 + 12 + 12	-5	-7	29.16	5.51	28.40	5.40	27.71	5.32	27.15	5.18	26.31	5.08
	5	3	35.15	5.78	34.30	5.68	33.60	5.57	33.19	5.46	32.40	5.34
	14	12	41.16	5.99	40.14	5.88	39.20	5.77	38.18	5.64	37.12	5.53
	23	19	44.40	6.23	43.31	6.11	42.22	5.98	41.12	5.87	40.03	5.80
	32	28	47.50	6.38	46.27	6.26	45.30	6.12	43.99	6.00	42.85	5.88
	41	37	50.99	6.45	49.67	6.33	48.66	6.18	47.31	6.08	46.12	5.96
	47	43	53.97	6.52	52.35	6.39	51.13	6.26	49.92	6.18	48.70	6.10
	50	47	49.63	6.12	48.36	6.00	47.50	5.88	46.13	5.75	44.86	5.71
	59	50	44.56	5.70	43.41	5.62	42.64	5.49	41.41	5.36	40.27	5.32
	68	59	39.37	5.25	38.36	5.14	37.68	5.03	36.60	4.92	35.59	4.87
75	65	28.40	3.91	27.67	3.84	27.18	3.76	26.40	3.67	25.67	3.63	
07 + 09 + 09 + 09 + 09	-5	-7	29.16	5.51	28.40	5.40	27.71	5.32	27.15	5.18	26.31	5.08
	5	3	35.15	5.78	34.30	5.68	33.60	5.57	33.19	5.46	32.40	5.34
	14	12	40.98	5.96	39.96	5.85	39.02	5.74	38.01	5.62	36.96	5.51
	23	19	44.03	6.18	42.94	6.06	41.86	5.93	40.78	5.82	39.70	5.75
	32	28	46.92	6.30	45.71	6.18	44.75	6.04	43.46	5.93	42.33	5.81
	41	37	50.20	6.35	48.90	6.23	47.90	6.09	46.57	5.98	45.41	5.87
	47	43	52.96	6.39	51.37	6.27	50.17	6.14	48.98	6.07	47.78	5.98
	50	47	48.70	6.01	47.45	5.89	46.61	5.77	45.26	5.64	44.01	5.60
	59	50	43.72	5.59	42.60	5.51	41.84	5.39	40.64	5.26	39.51	5.22
	68	59	38.63	5.15	37.64	5.05	36.97	4.93	35.91	4.83	34.92	4.78
75	65	27.86	3.83	27.15	3.77	26.67	3.69	25.90	3.60	25.19	3.56	
07 + 09 + 09 + 09 + 12	-5	-7	29.16	5.51	28.40	5.40	27.71	5.32	27.15	5.18	26.31	5.08
	5	3	35.15	5.78	34.30	5.68	33.60	5.57	33.19	5.46	32.40	5.34
	14	12	41.06	5.97	40.04	5.86	39.10	5.75	38.08	5.63	37.03	5.52
	23	19	44.19	6.20	43.10	6.08	42.01	5.95	40.93	5.84	39.84	5.77
	32	28	47.17	6.33	45.95	6.22	44.98	6.08	43.69	5.96	42.55	5.84
	41	37	50.54	6.39	49.23	6.27	48.23	6.13	46.89	6.02	45.71	5.91
	47	43	53.39	6.45	51.79	6.32	50.58	6.19	49.38	6.12	48.17	6.03
	50	47	49.10	6.06	47.84	5.94	46.99	5.82	45.63	5.69	44.38	5.65
	59	50	44.08	5.64	42.95	5.56	42.18	5.43	40.97	5.30	39.84	5.27
	68	59	38.95	5.19	37.95	5.09	37.28	4.98	36.20	4.87	35.20	4.82
75	65	28.09	3.86	27.37	3.80	26.89	3.72	26.11	3.63	25.39	3.59	
07 + 09 + 09 + 09 + 18	-5	-7	29.16	5.51	28.40	5.40	27.71	5.32	27.15	5.18	26.31	5.08
	5	3	35.15	5.78	34.30	5.68	33.60	5.57	33.19	5.46	32.40	5.34
	14	12	41.21	6.00	40.19	5.89	39.24	5.78	38.22	5.65	37.17	5.54
	23	19	44.51	6.24	43.41	6.13	42.32	6.00	41.22	5.88	40.13	5.81
	32	28	47.66	6.40	46.43	6.28	45.45	6.14	44.14	6.02	43.00	5.90
	41	37	51.22	6.48	49.89	6.35	48.88	6.21	47.52	6.10	46.33	5.99
	47	43	54.26	6.55	52.63	6.42	51.41	6.29	50.18	6.22	48.96	6.13
	50	47	49.90	6.16	48.62	6.03	47.75	5.91	46.38	5.78	45.10	5.74
	59	50	44.80	5.73	43.65	5.65	42.87	5.52	41.64	5.39	40.49	5.35
	68	59	39.58	5.27	38.57	5.17	37.88	5.06	36.79	4.95	35.78	4.90
75	65	28.55	3.93	27.82	3.86	27.33	3.78	26.54	3.69	25.81	3.65	
07 + 09 + 09 + 12 + 12	-5	-7	29.16	5.51	28.40	5.40	27.71	5.32	27.15	5.18	26.31	5.08
	5	3	35.15	5.78	34.30	5.68	33.60	5.57	33.19	5.46	32.40	5.34
	14	12	41.14	5.99	40.11	5.88	39.17	5.76	38.15	5.64	37.10	5.53
	23	19	44.35	6.22	43.26	6.11	42.16	5.97	41.07	5.86	39.98	5.79
	32	28	47.41	6.37	46.19	6.25	45.22	6.11	43.92	5.99	42.78	5.87
	41	37	50.88	6.44	49.56	6.31	48.55	6.17	47.20	6.06	46.02	5.95
	47	43	53.83	6.50	52.21	6.37	51.00	6.24	49.78	6.17	48.57	6.08
	50	47	49.50	6.11	48.23	5.99	47.37	5.87	46.01	5.73	44.74	5.69
	59	50	44.44	5.69	43.30	5.60	42.53	5.48	41.30	5.35	40.16	5.31
	68	59	39.27	5.23	38.26	5.13	37.58	5.02	36.50	4.91	35.49	4.86
75	65	28.32	3.90	27.60	3.83	27.11	3.75	26.33	3.66	25.60	3.62	
07 + 09 + 12 + 12 + 12	-5	-7	29.16	5.51	28.40	5.40	27.71	5.32	27.15	5.18	26.31	5.08
	5	3	35.15	5.78	34.30	5.68	33.60	5.57	33.19	5.46	32.40	5.34
	14	12	41.21	6.00	40.19	5.89	39.24	5.78	38.22	5.65	37.17	5.54
	23	19	44.51	6.24	43.41	6.13	42.32	6.00	41.22	5.88	40.13	5.81
	32	28	47.66	6.40	46.43	6.28	45.45	6.14	44.14	6.02	43.00	5.90
	41	37	51.22	6.48	49.89	6.35	48.88	6.21	47.52	6.10	46.33	5.99
	47	43	54.26	6.55	52.63	6.42	51.41	6.29	50.18	6.22	48.96	6.13
	50	47	49.90	6.16	48.62	6.03	47.75	5.91	46.38	5.78	45.10	5.74
	59	50	44.80	5.73	43.65	5.65	42.87	5.52	41.64	5.39	40.49	5.35
	68	59	39.58	5.27	38.57	5.17	37.88	5.06	36.79	4.95	35.78	4.90
75	65	28.55	3.93	27.82	3.86	27.33	3.78	26.54	3.69	25.81	3.65	
09 + 09 + 09 + 09 + 09	-5	-7	29.16	5.51	28.40	5.40	27.71	5.32	27.15	5.18	26.31	5.08
	5	3	35.15	5.78	34.30	5.68	33.60	5.57	33.19	5.46	32.40	5.34
	14	12	41.47	6.03	40.44	5.92	39.49	5.81	38.46	5.68	37.40	5.57
	23	19	45.04	6.32	43.93	6.20	42.82	6.07	41.72	5.95	40.61	5.88
	32	28	48.48	6.51	47.24	6.39	46.24	6.25	44.91	6.13	43.74	6.00
	41	37	52.35	6.62	51.00	6.50	49.96	6.35	48.57	6.24	47.36	6.12
	47	43	55.71	6.73	54.04	6.59	52.78	6.46	51.53	6.38	50.27	6.29
	50	47	51.23	6.32	49.92	6.20	49.03	6.07	47.62	5.93	46.30	5.89
	59	50	45.99	5.89	44.81	5.80	44.02	5.67	42.75	5.53	41.57	5.49
	68	59	40.64	5.42	39.60	5.31	38.90	5.19	37.78	5.08	36.73	5.03
75	65	29.31	4.03	28.56	3.97	28.06	3.88	27.25	3.79	26.50	3.74	

Indoor unit connecting capacity	Outdoor temperature		Indoor temperature									
			60 °FDB		65 °FDB		70 °FDB		75 °FDB		78 °FDB	
			TC	IP	TC	IP	TC	IP	TC	IP	TC	IP
kBtu/h	°FDB	°FWB	kBtu/h	kW	kBtu/h	kW	kBtu/h	kW	kBtu/h	kW	kBtu/h	kW
09 + 09 + 09 + 09 + 12	-5	-7	29.16	5.51	28.40	5.40	27.71	5.32	27.15	5.18	26.31	5.08
	5	3	35.15	5.78	34.30	5.68	33.60	5.57	33.19	5.46	32.40	5.34
	14	12	41.11	5.98	40.09	5.87	39.15	5.76	38.13	5.63	37.07	5.52
	23	19	44.29	6.21	43.20	6.10	42.11	5.97	41.03	5.85	39.94	5.78
	32	28	47.33	6.36	46.11	6.24	45.14	6.10	43.84	5.98	42.70	5.86
	41	37	50.76	6.42	49.45	6.30	48.44	6.15	47.10	6.05	45.92	5.94
	47	43	53.68	6.48	52.07	6.35	50.86	6.23	49.65	6.15	48.44	6.06
	50	47	49.36	6.09	48.10	5.97	47.24	5.85	45.88	5.72	44.62	5.68
	59	50	44.32	5.67	43.18	5.59	42.41	5.46	41.19	5.33	40.06	5.29
	68	59	39.16	5.22	38.16	5.11	37.48	5.00	36.40	4.90	35.40	4.85
75	65	28.25	3.89	27.52	3.82	27.03	3.74	26.25	3.65	25.53	3.61	
09 + 09 + 09 + 09 + 18	-5	-7	29.16	5.51	28.40	5.40	27.71	5.32	27.15	5.18	26.31	5.08
	5	3	35.15	5.78	34.30	5.68	33.60	5.57	33.19	5.46	32.40	5.34
	14	12	41.27	6.00	40.24	5.89	39.29	5.78	38.27	5.66	37.21	5.54
	23	19	44.61	6.26	43.52	6.14	42.42	6.01	41.32	5.89	40.22	5.83
	32	28	47.82	6.42	46.59	6.30	45.61	6.16	44.30	6.04	43.15	5.92
	41	37	51.44	6.51	50.12	6.38	49.09	6.24	47.73	6.13	46.54	6.02
	47	43	54.55	6.59	52.91	6.46	51.68	6.33	50.45	6.25	49.22	6.16
	50	47	50.16	6.19	48.88	6.07	48.01	5.94	46.63	5.81	45.34	5.77
	59	50	45.03	5.76	43.88	5.68	43.10	5.55	41.86	5.42	40.71	5.38
	68	59	39.80	5.30	38.77	5.20	38.09	5.08	36.99	4.98	35.97	4.93
75	65	28.70	3.95	27.97	3.88	27.47	3.80	26.68	3.71	25.94	3.67	
09 + 09 + 09 + 12 + 12	-5	-7	29.16	5.51	28.40	5.40	27.71	5.32	27.15	5.18	26.31	5.08
	5	3	35.15	5.78	34.30	5.68	33.60	5.57	33.19	5.46	32.40	5.34
	14	12	41.19	5.99	40.16	5.88	39.22	5.77	38.20	5.64	37.14	5.53
	23	19	44.45	6.24	43.36	6.12	42.27	5.99	41.17	5.87	40.08	5.81
	32	28	47.58	6.39	46.35	6.27	45.37	6.13	44.07	6.01	42.93	5.89
	41	37	51.10	6.47	49.78	6.34	48.77	6.20	47.41	6.09	46.23	5.98
	47	43	54.12	6.53	52.49	6.41	51.27	6.28	50.05	6.20	48.83	6.11
	50	47	49.76	6.14	48.49	6.02	47.63	5.90	46.25	5.76	44.98	5.72
	59	50	44.68	5.72	43.53	5.63	42.76	5.51	41.53	5.37	40.38	5.34
	68	59	39.48	5.26	38.47	5.16	37.78	5.04	36.69	4.94	35.68	4.89
75	65	28.47	3.92	27.74	3.85	27.25	3.77	26.47	3.68	25.74	3.64	
09 + 09 + 12 + 12 + 12	-5	-7	29.16	5.51	28.40	5.40	27.71	5.32	27.15	5.18	26.31	5.08
	5	3	35.15	5.78	34.30	5.68	33.60	5.57	33.19	5.46	32.40	5.34
	14	12	41.27	6.00	40.24	5.89	39.29	5.78	38.27	5.66	37.21	5.54
	23	19	44.61	6.26	43.52	6.14	42.42	6.01	41.32	5.89	40.22	5.83
	32	28	47.82	6.42	46.59	6.30	45.61	6.16	44.30	6.04	43.15	5.92
	41	37	51.44	6.51	50.12	6.38	49.09	6.24	47.73	6.13	46.54	6.02
	47	43	54.55	6.59	52.91	6.46	51.68	6.33	50.45	6.25	49.22	6.16
	50	47	50.16	6.19	48.88	6.07	48.01	5.94	46.63	5.81	45.34	5.77
	59	50	45.03	5.76	43.88	5.68	43.10	5.55	41.86	5.42	40.71	5.38
	68	59	39.80	5.30	38.77	5.20	38.09	5.08	36.99	4.98	35.97	4.93
75	65	28.70	3.95	27.97	3.88	27.47	3.80	26.68	3.71	25.94	3.67	

NOTES:

- Specifications are based on the following conditions.
 - Power source of specifications: 230 V
 - Pipe length: 24.6 ft (7.5 m), Height difference: 0 ft (0 m) [Outdoor unit—Indoor unit]
 - Indoor unit fan speed: HIGH
- 2 or more indoor units should be connected.
- The total ability of connected a indoor unit is from 34,000 Btu/h up to 54,000 Btu/h.
- Input in the table are calculated based on the maximum indoor unit input combinations.
- Capacity loss due to white frost and defrost operation is not included.

7. Electrical characteristics

Model name			WHP18M2A21S	WHP24M3A21S
Power supply	Voltage		208/230 ~	
	Frequency		60	
MCA* ¹			21	25
Wiring spec.* ²	MAX. CKT. BKR* ³		30	
	Power cable		SJTW 3 × 14	SJTW 3 × 12
	Connection cable* ⁴	Size	SJTW 4 × 16	
		Limited wiring length	ft (m)	167 (51)

Model name			WHP36M4A21S	WHP42M5A21S
Power supply	Voltage		208/230 ~	
	Frequency		60	
MCA* ¹			32.2	35
Wiring spec.* ²	MAX. CKT. BKR* ³		50	
	Power cable		SJTW 3 × 10	
	Connection cable* ⁴	Size	SJTW 4 × 16	
		Limited wiring length	ft (m)	249 (76)

*1: Minimum Circuit Ampacity (Calculation based on UL60335-2-40)

*2: Selected sample based on Japan Electrotechnical Standards and Codes Committee E0005. As the regulations of wire size and circuit breaker differ in each country or region, select appropriate devices complied to the regional standard.

*3: Maximum Circuit Breaker

*4: Limit voltage drop to less than 2%. If voltage drop is 2% or more, increase cable conductor size.

8. Accessories

Part name	Q'ty	Part name	Q'ty
Use and installation instructions	1	Valve adapter-2 3/8 in to 5/8 in (9.52 mm to 15.88 mm) (For 36 and 42 model)	1
Drain joint	1	Valve adapter-3 1/4 in to 3/8 in (6.35 mm to 9.52 mm) (For 36 and 42 model)	1
Valve adapter-1 3/8 in to 1/2 in (9.52 mm to 12.70 mm) (For 24, 36, and 42 model)	1		